

REV. A	SHEET 1 OF 1	DOCUMENT NO. 21-033834-071
REVISIONS M		
LTR	DESCRIPTION	DATE
A	INITIAL RELEASE	---

21-033834-071

SHEET 1 OF 1

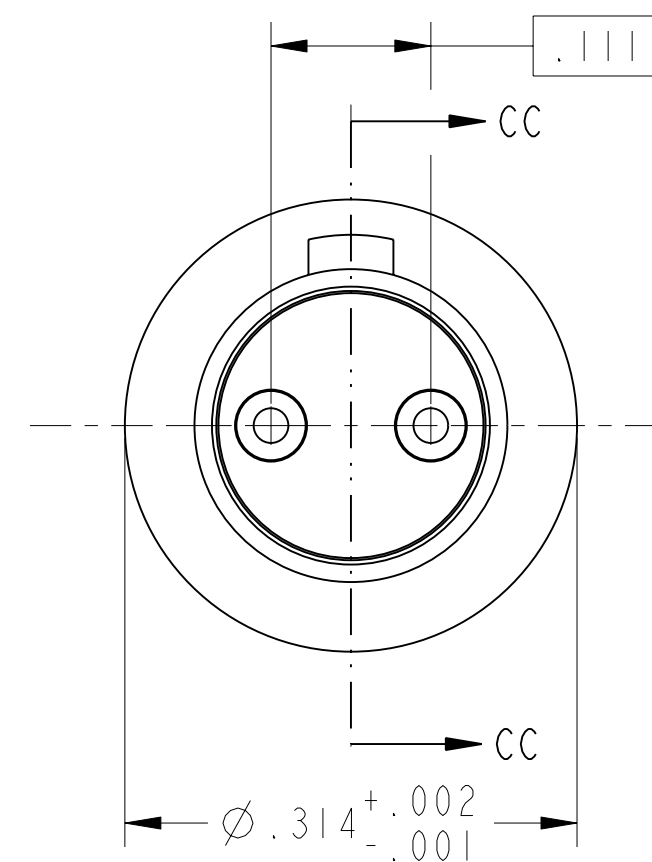
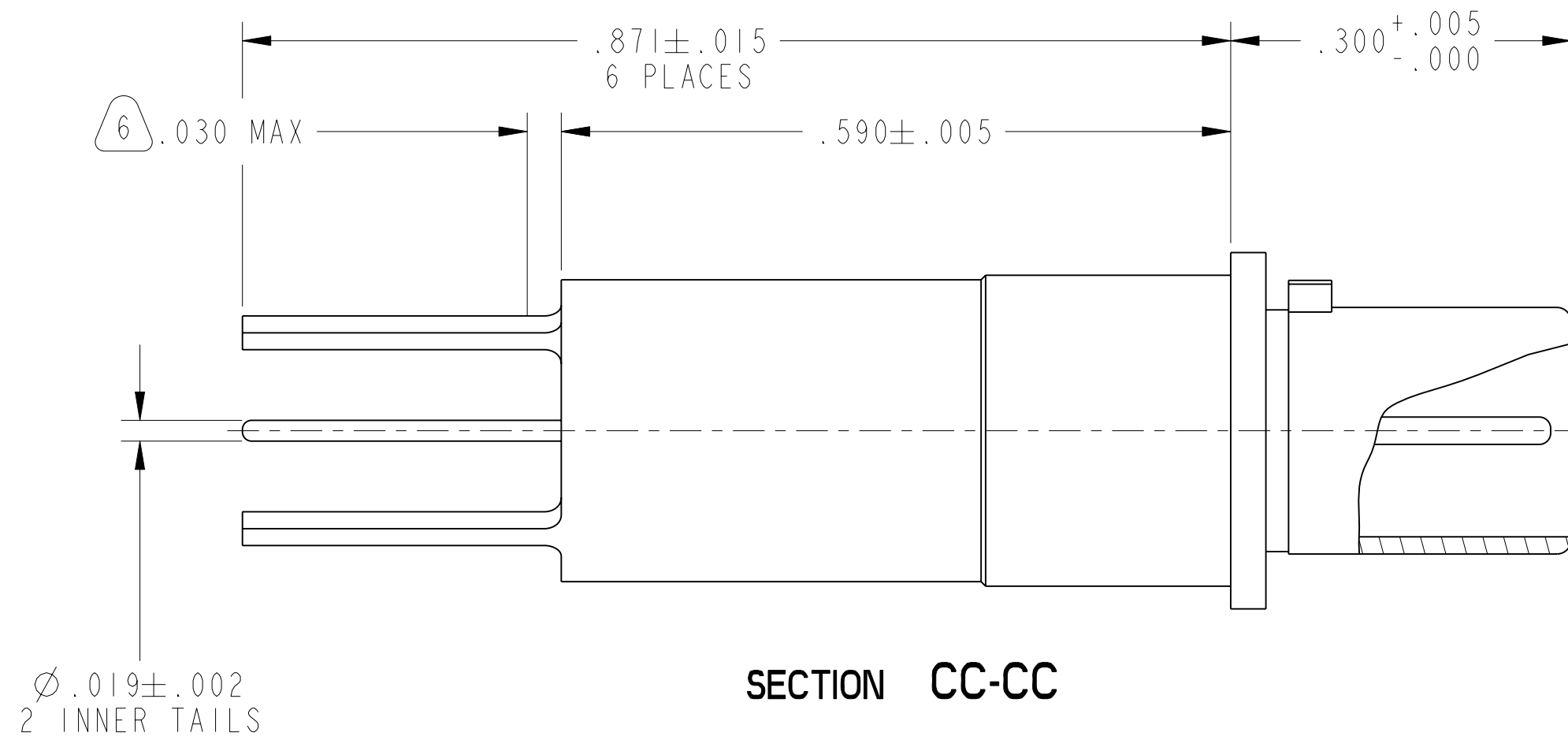
REV. A

C

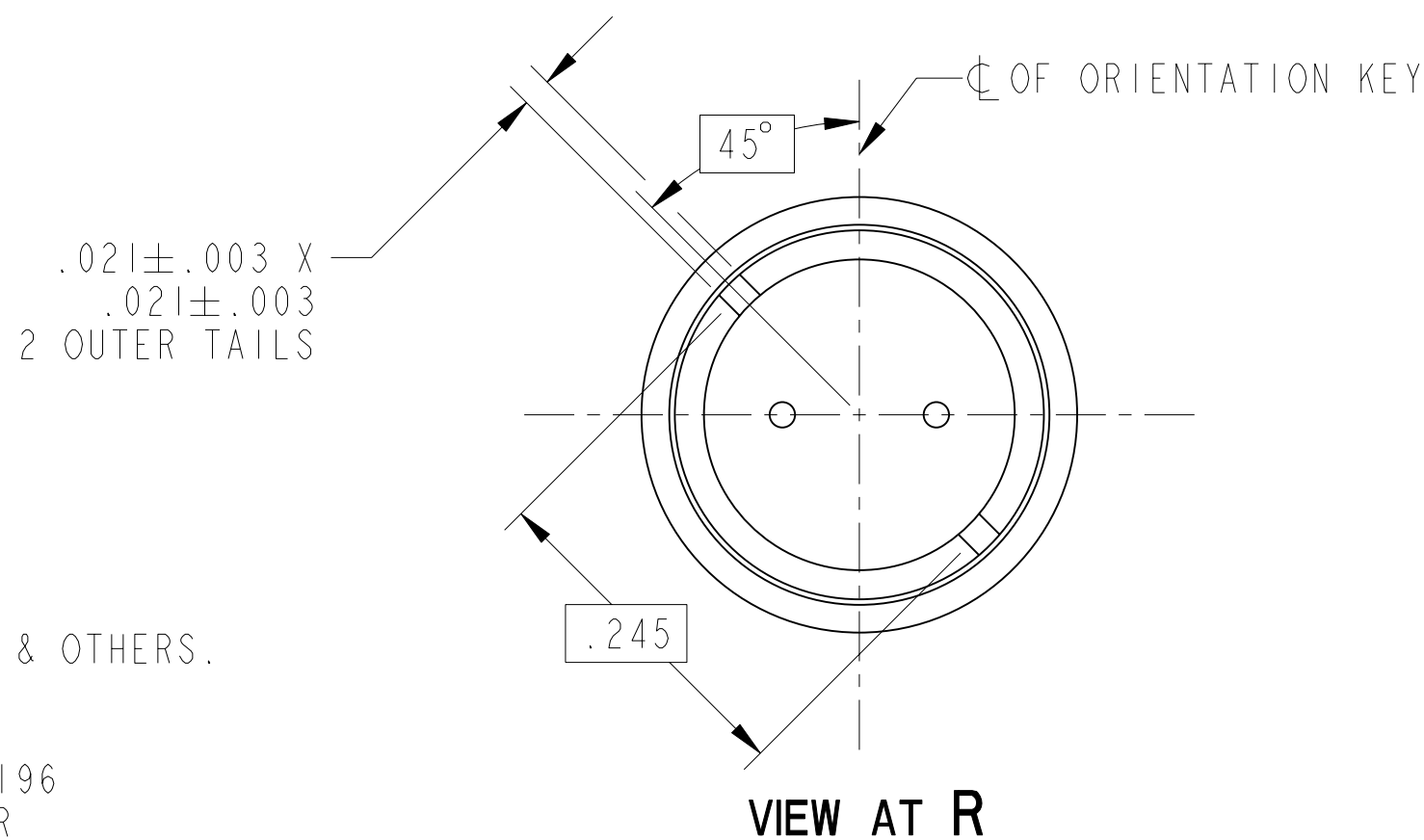
B

A

R →



SECTION CC-CC



VIEW AT R

- 6. EPOXY PERMISSIBLE IN INDICATED AREA ON TAILS.
- 5. ALL DIMENSIONS ARE AFTER PLATING.
- 4. MATES WITH M38999 DIFFERENTIAL TWINAX SOCKETS 21-033388-() & OTHERS.
- 3. MATERIALS:
 OUTER & INNER CONTACTS- BERYLLIUM COPPER PER ASTM-B-196
 FRONT & SPACER INSULATORS- TFE RESIN PER ASTM D 1710 OR PFA PER ASTM D 3307.
- 2. FINISH:
 GOLD PLATED PER MIL-G-45204 TYPE II, GRADE C, CLASS I (.000050 MIN)
 OVER NICKEL PLATE PER QQ-N-290 (.000050 MIN).
- 1. CONTACTS MEET THE ENVELOPE DIMENSIONAL REQUIREMENTS OF M39029/90.

NOTES:

THE USE OF THIS DOCUMENT IS UNLIMITED. HOWEVER, DOCUMENTS REFERENCED HEREON MAY CONTAIN LIMITED RIGHTS DATA.

N/A NEXT ASSEMBLY

PRO/ENGINEER INFORMATION
 Pro/e Model Used:
 21-033834-071.ASSEM
 Drawing Name:
 21-033834-071

UNLESS OTHERWISE SPECIFIED	SPECIFICATIONS	POS	QTY	PART NUMBER	DESCRIPTION	NOTE
LINEAR DIMENSIONS ARE IN INCHES TOLERANCES: .XXXX = ±.0005 ANGLES= ±2° .XXX = ±.010 .XX = ±.03 .X = ±.1 DIM. & TOL. PER ASME Y14.5M; DRM PER MIL-DTL-31000; OTHER Amphenol Stds. PER 9-3800 LEGENDS: =FLAG NOTE CALL OUT REFERENCE ONLY	MATERIAL SPEC.	APPROVALS		DATE	PARTS LIST	
	SEE NOTE 3	PREPARED BY J. JAMAL		20-Mar-15	AMPHENOL CORPORATION 40-60 DELAWARE AVENUE SIDNEY, N.Y. 13858	
PROCESS SPEC.		ENGINEER IN CHARGE D. PHILLIPS			CONTACT, PIN, DIFF. TWINAX, ELECTRICAL CONNECTOR, TYPE M38999 I & III, PCB	
N/A		DESIGN MANAGER E. HICKEY			SIZE C	CAGE CODE 77820
		DESIGN ACTIVITY GROUP CI			DOCUMENT NO. 21-033834-071	REV. A
		THIRD ANGLE PROJECTION			SCALE: 7.5	SHEET 1 OF 1

RELEASED / Apr . 16 2015, 1:30:03 PM

21-033834-071

SHEET 1 OF 1

REV. A

REVISION 5

REVISION A

Eng. PDM Information For Reference Only

REV. A

SHEET 1 OF 1

21-033834-071