

REV. A	SHEET 1 OF 1	DOCUMENT NO. 21-033834-081
REVISIONS M		
LTR	DESCRIPTION	DATE
A	INITIAL RELEASE	---

21-033834-081

SHEET 1 OF 1

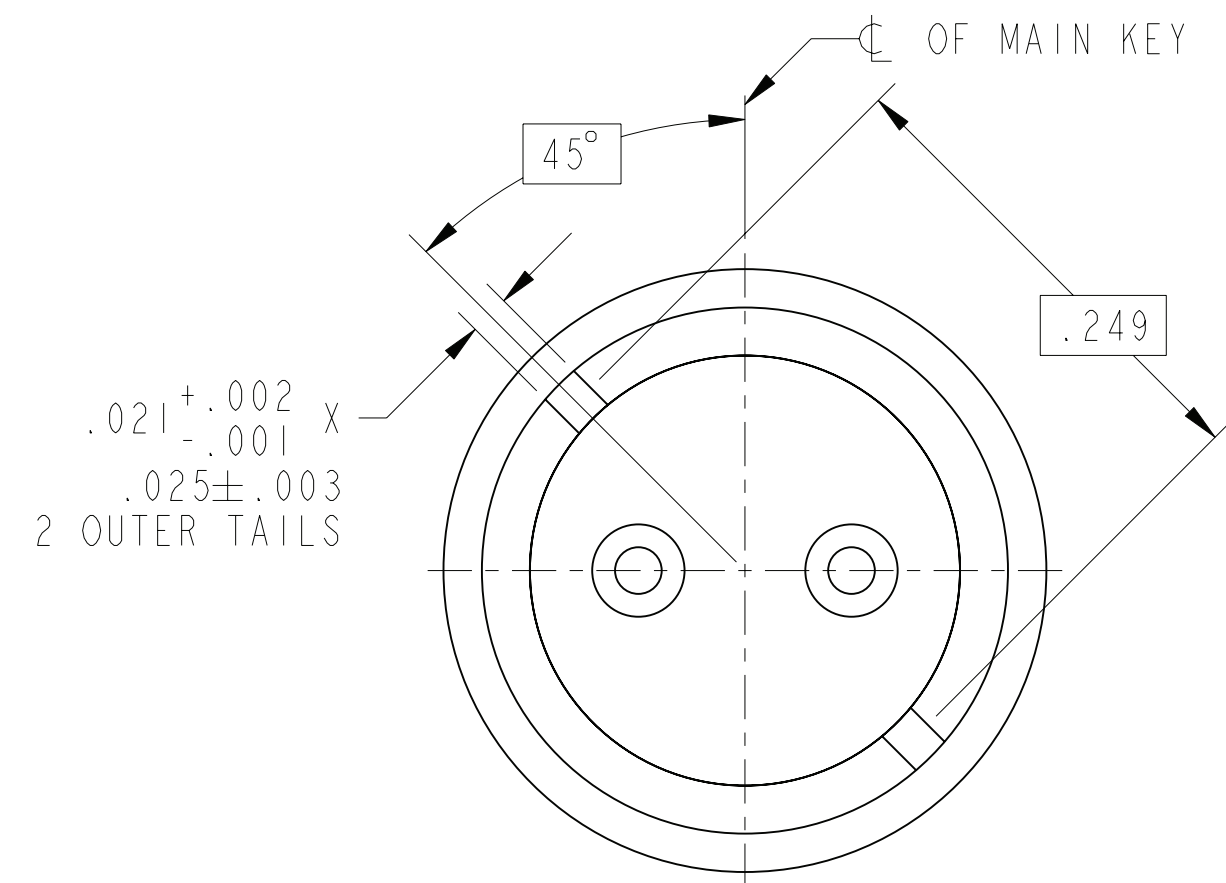
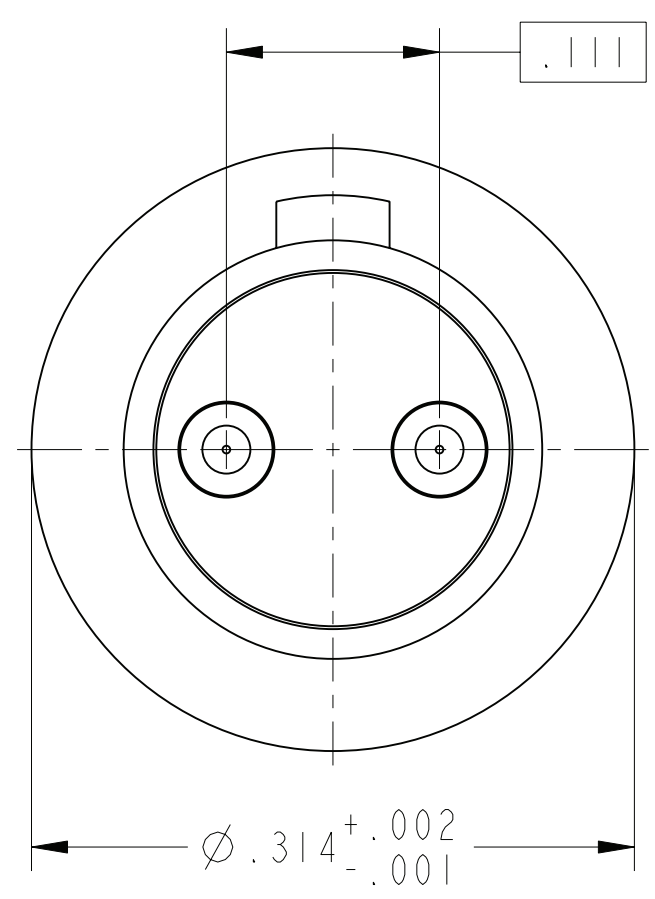
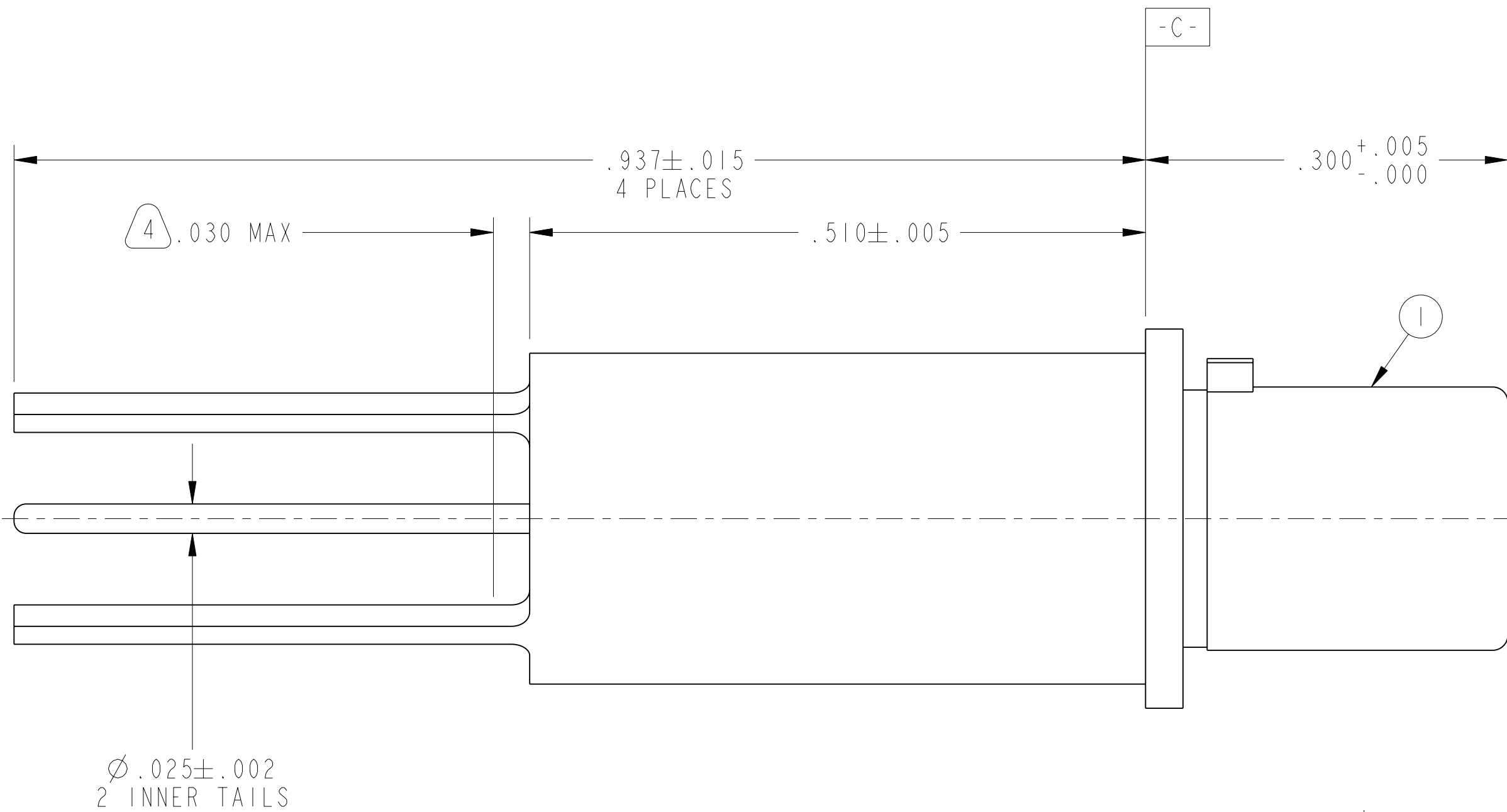
REV. A

C

B

A

R →



VIEW AT R

- 5. MATES WITH M38999 DIFFERENTIAL TWINAX SOCKETS 21-033388-( ) & OTHERS.
- 4. EPOXY MAY BE PRESENT ON CONTACT TAILS IN INDICATED AREA.
- 3. MATERIALS:  
OUTER & INNER CONTACTS- BERYLLIUM COPPER PER ASTM-B-196  
FRONT INSULATOR & SPACER INSULATOR- TFE RESIN PER AMS 3651
- 2. FINISH:  
GOLD PLATED PER MIL-G-45204 TYPE II, GRADE C, CLASS I (.000050 MIN)  
OVER NICKEL PLATE PER QQ-N-290 (.000050 MIN).
- 1. CONTACTS MEET THE ENVELOPE DIMENSIONAL REQUIREMENTS OF M39029/90.

NOTES:

THIS DOCUMENT CONTAINS PROPRIETARY INFORMATION AND SUCH INFORMATION MAY NOT BE DISCLOSED TO OTHERS FOR ANY PURPOSE OR USED FOR MANUFACTURING PURPOSES WITHOUT WRITTEN PERMISSION FROM THE AMPHENOL CORP.

N/A NEXT ASSEMBLY

PRO/ENGINEER INFORMATION  
Pro/e Model Used:  
21-033834-081.ASSEM  
Drawing Name:  
21-033834-081

UNLESS OTHERWISE SPECIFIED	SPECIFICATIONS
LINEAR DIMENSIONS ARE IN INCHES TOLERANCES: .XXXX = ±.0005 ANGLES= ±2° .XXX = ±.010 .XX = ±.03 .X = ±.1	MATERIAL SPEC. N/A
DIM. & TOL. PER ASME Y14.5M; DRM PER MIL-DTL-31000; OTHER Amphenol Stds. PER 9-3800	PROCESS SPEC. N/A
LEGENDS: = FLAG NOTE CALL OUT REFERENCE ONLY	

I POS	I QTY	21-033834-081M	CONTACT, PIN, D. TWINAX, PCB	NOTE
PARTS LIST				
APPROVALS				
PREPARED BY	D. PHILLIPS	DATE	26-Aug-10	
ENGINEER IN CHARGE	L. RATCHFORD			
DESIGN MANAGER	R. SELFRIDGE			
DESIGN ACTIVITY GROUP	MIL-AERO DEVELOP			
THIRD ANGLE PROJECTION				
SIZE	C	CAGE CODE	77820	DOCUMENT NO.
				21-033834-081
SCALE:	10.0	REF.	21-033834-121	SHEET 1 OF 1

AMPHENOL CORPORATION  
40-60 DELAWARE AVENUE  
SIDNEY, N.Y. 13858  
CONTACT, PIN,  
DIFFERENTIAL TWINAX  
TYPE M38999 I & III, PCB

RELEASED / Oct. 18 2010, 4:47:38 PM

DOCUMENT NO. 21-033834-081

SHEET 1 OF 1

REV. A

21-033834-081

SHEET 1 OF 1

REV. A

C

B

A

21-033834-081

REV. A