

REV. A		SHEET 1 OF 1		DOCUMENT NO. 21-33835-21	
REVISIONS					
LTR	DESCRIPTION			DATE	
A	INITIAL RELEASE				

21-33835-21

SHEET 1 OF 1

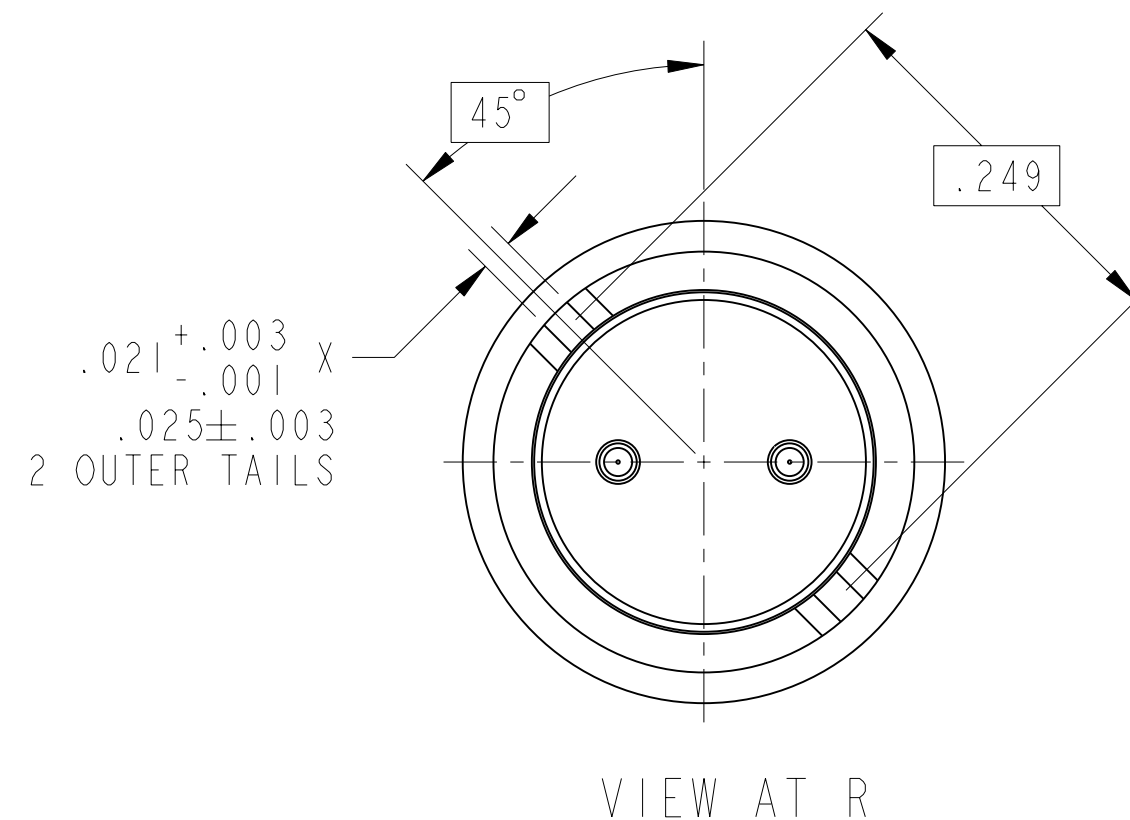
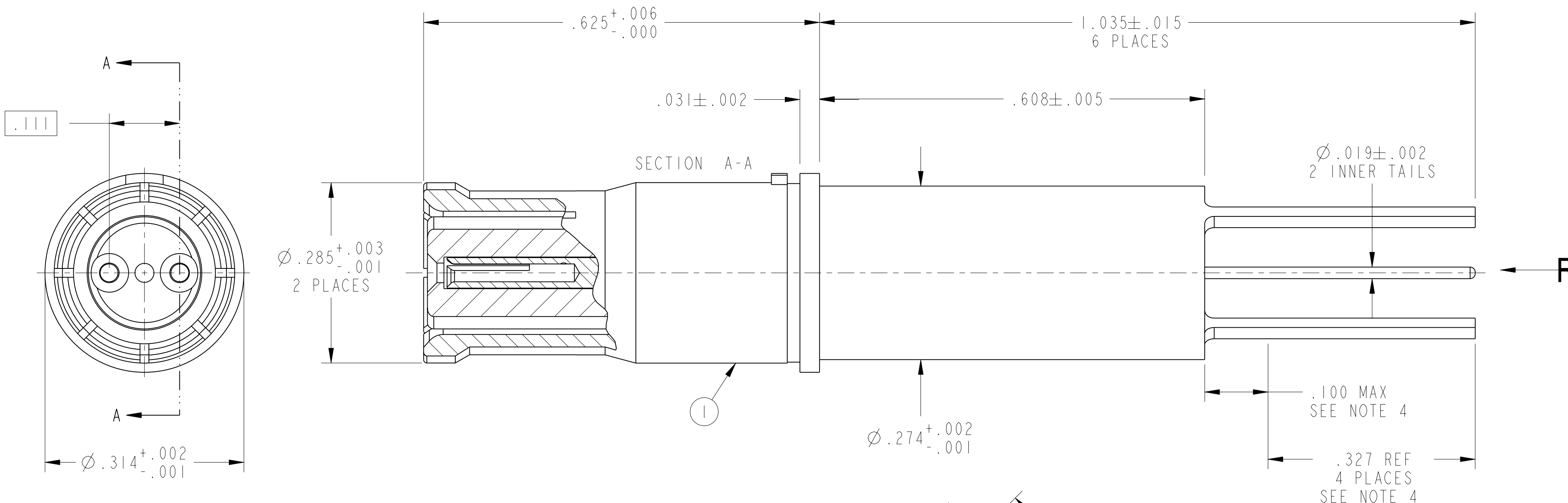
REV. A

C

B

A

FORMAT: C:\U.L.R.V.B



7. ALL DIMENSIONS ARE AFTER PLATING AND PRETINNING.
6. MATES WITH M38999 DIFFERENTIAL TWINAX PINS 21-33387-().
5. .030 MAX EPOXY WICKING BEYOND CONTACT BODY PERMISSIBLE.
4. PCB TAILS PRETINNED IN INDICATED AREA, TO WITHIN .100 MAX OF THE OUTER CONTACT BODY.
3. MATERIALS:
OUTER & INNER CONTACTS- BERYLLIUM COPPER PER ASTM-B-196
FRONT INSULATOR & SPACER INSULATOR- TFE RESIN PER AMS 3651
2. FINISH:
GOLD PLATED PER MIL-G-45204 TYPE II, GRADE C, CLASS I (.000050 MIN)
OVER NICKEL PLATE PER QQ-N-290 (.000050 MIN).
1. CONTACTS MEET THE ENVELOPE DIMENSIONAL REQUIREMENTS OF M39029/91.

NOTES:

THE USE OF THIS DOCUMENT IS UNLIMITED. HOWEVER, DOCUMENTS REFERENCED HEREON MAY CONTAIN LIMITED RIGHTS DATA.

RELEASED / Mar . 14 2005, 02:40 PM

N/A	PRO/ENGINEER INFORMATION
N/A	Pro/e Model Used: 21-33835-21_D-TWIN.PCB.ASY.ASSEM
NEXT ASSEMBLY	Drawing Name: 21-33835-21_D-TWIN.PCB.ASY

UNLESS OTHERWISE SPECIFIED		SPECIFICATIONS		I	I	21-33835-21M	D-TWINAX PCB SOCKET CONTACT	
LINEAR DIMENSIONS ARE IN INCHES TOLERANCES: .XXXX = ±.0005 ANGLES= ±2° .XXX = ±.010 .XX = ±.03 .X = ±.1		MATERIAL SPEC. N/A		POS	QTY	PART NUMBER	DESCRIPTION	
DIM. & TOL. PER ASME Y14.5M; DRM PER MIL-DTL-31000; OTHER Amphenol Sids. PER 9-3800		PROCESS SPEC. N/A		APPROVALS		DATE	PARTS LIST AMPHENOL CORPORATION 40-60 DELAWARE AVENUE SIDNEY, N.Y. 13838	
LEGENDS: = FLAG NOTE CALL OUT REFERENCE ONLY		THIRD ANGLE PROJECTION		PREPARED BY JHEATH	4-Feb-05			CONTACT, SOCKET, DIFFERENTIAL TWINAX, TYPE M38999 I & III, PCB
				ENGINEER IN CHARGE L. RATCHFORD				
				DESIGN MANAGER A. DAVIS			DESIGN ACTIVITY GROUP MIL AERO	
				SIZE C		CAGE CODE 77820	DOCUMENT NO. 21-33835-21	
				SCALE: 8.0		REF: 21-33835-1	SHEET 1 OF 1	

21-33835-21

SHEET 1 OF 1

REV. A

FAMCODES FALSE FALSE

SHEET 1 OF 1

21-33835-21

A

U