

REV. A	SHEET 1 OF 1	DOCUMENT NO. 21-033835-031
REVISIONS		
LTR	DESCRIPTION	DATE
A	INITIAL RELEASE	---

21-033835-031

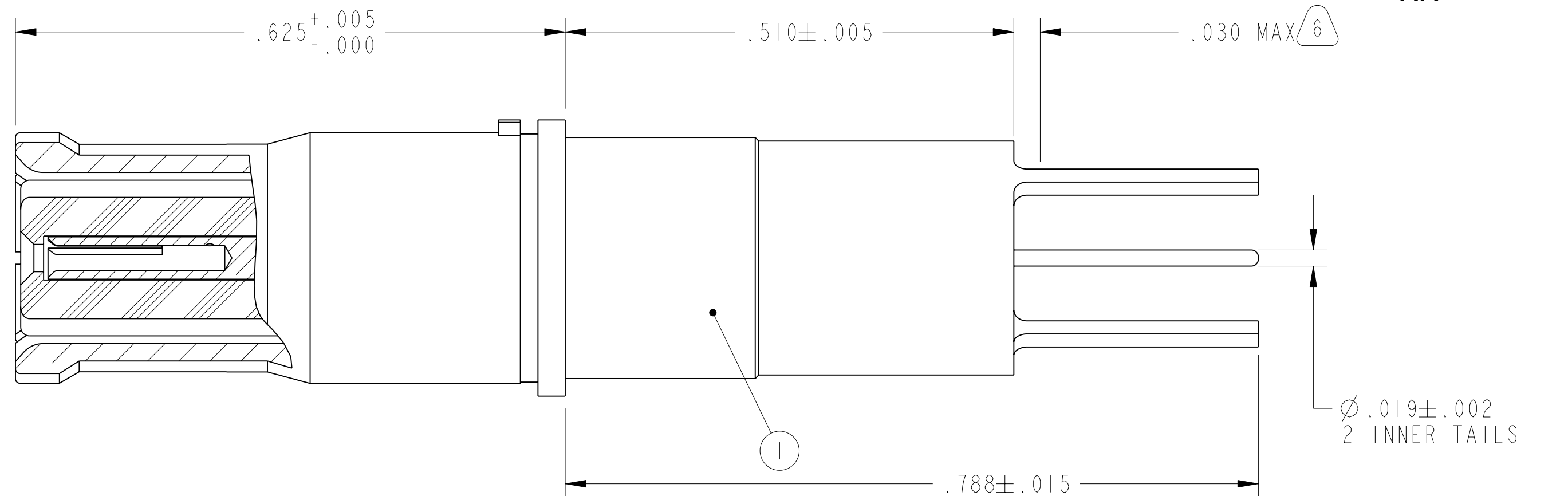
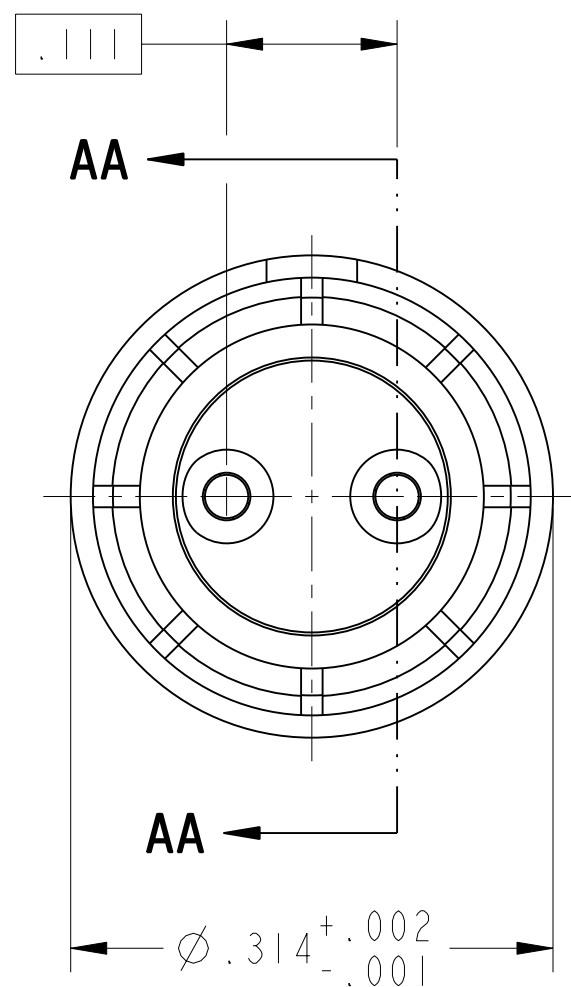
SHEET 1 OF 1

REV. A

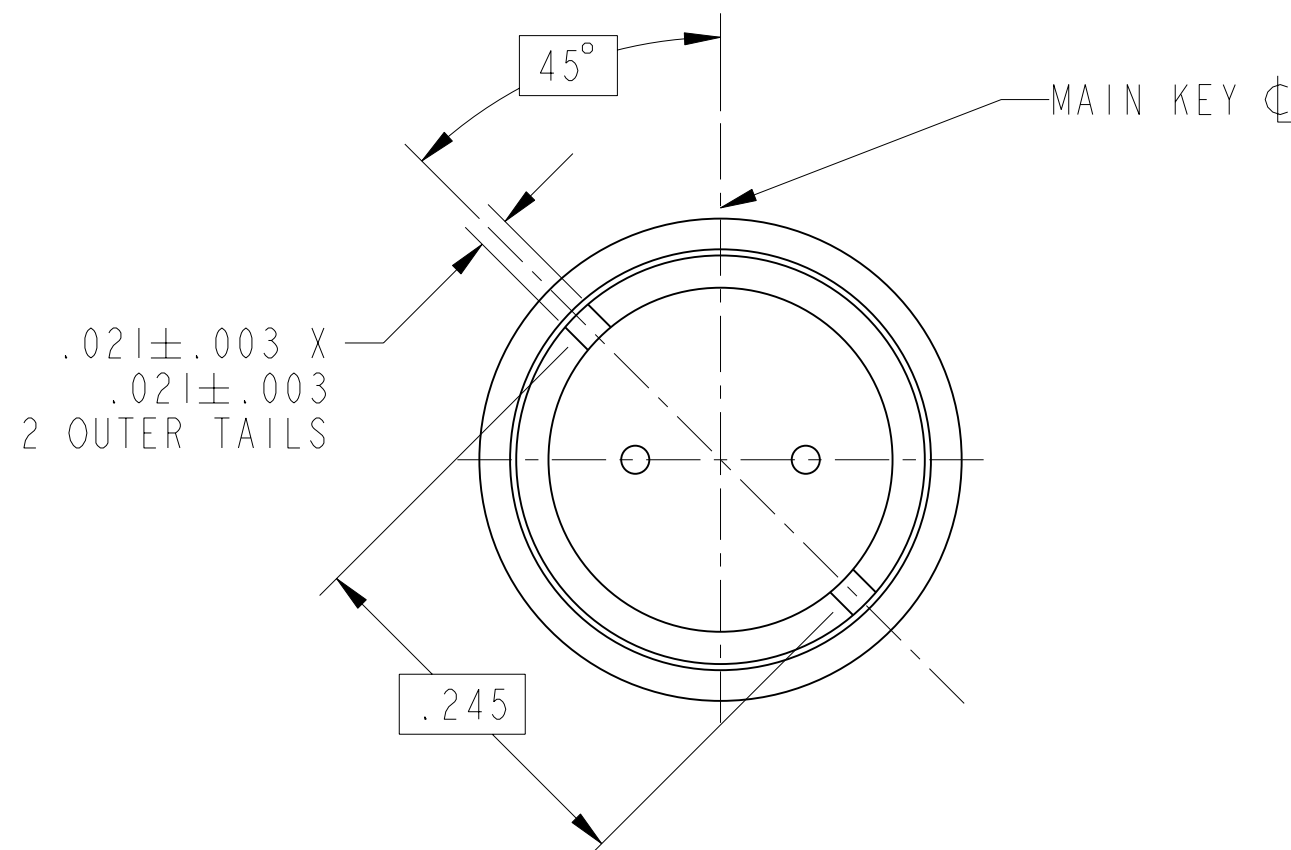
C

B

A



PARTIAL SECTION AA-AA



VIEW AT RR-RR

- CONTACTS MEET THE ENVELOPE DIMENSIONAL REQUIREMENTS OF M39029/91.
- FINISH:
GOLD PLATED IAW SAE AS39029
OVER NICKEL PLATE PER QQ-N-290 (.000050 MIN).
- MATERIALS:
OUTER & INNER CONTACTS- BERYLLIUM COPPER PER ASTM-B-196
FRONT INSULATOR & SPACER INSULATOR- TFE RESIN PER AMS 3651
- ALL DIMENSIONS ARE AFTER PLATING.
- MATES WITH M38999 DIFFERENTIAL TWINAX PINS 21-033387-021 & OTHERS.
- EPOXY MAY BE PRESENT ON CONTACT TAILS IN INDICATED AREA.

NOTES:

THE USE OF THIS DOCUMENT IS UNLIMITED. HOWEVER, DOCUMENTS REFERENCED HEREON MAY CONTAIN LIMITED RIGHTS DATA.

10-628485-127X
NEXT ASSEMBLY

PRO/ENGINEER INFORMATION
Pro/e Model Used:
21-033835-031.ASSEM
Drawing Name:
21-033835-031

UNLESS OTHERWISE SPECIFIED	SPECIFICATIONS
LINEAR DIMENSIONS ARE IN INCHES TOLERANCES: .XXXX = $\pm .0005$ ANGLES = $\pm 2^\circ$.XXX = $\pm .010$.XX = $\pm .03$.X = $\pm .1$	MATERIAL SPEC. N/A
DIM. & TOL. PER ASME Y14.5M; DRM PER MIL-DTL-31000; OTHER Amphenol Stds. PER 9-3800	PROCESS SPEC. N/A
LEGENDS: = FLAG NOTE CALL OUT REFERENCE ONLY	

POS	QTY	PART NUMBER	DESCRIPTION	NOTE
I	I	21-033835-031M	CONTACT, SOCKET, QUAD, PCB	

PARTS LIST			
AMPHENOL CORPORATION 40-60 DELAWARE AVENUE SIDNEY, N.Y. 13858			
CONTACT, SOCKET, DIFFERENTIAL TWINAX, ELECTRICAL CONNECTOR, 100 OHM, TYPE M38999 I & III, PCB			
SIZE C	CAGE CODE 77820	DOCUMENT NO. 21-033835-031	REV. A
SCALE: 8.0	REF. 21-033835-051	SHEET 1 OF 1	

RELEASED / Nov. 18 2013, 3:57:00 PM

DOCUMENT NO. 21-033835-031

SHEET 1 OF 1

REV. A

VERSION 4

REVISION A

Eng. PDM Information For Reference Only

REV. A

SHEET 1 OF 1

21-033835-031