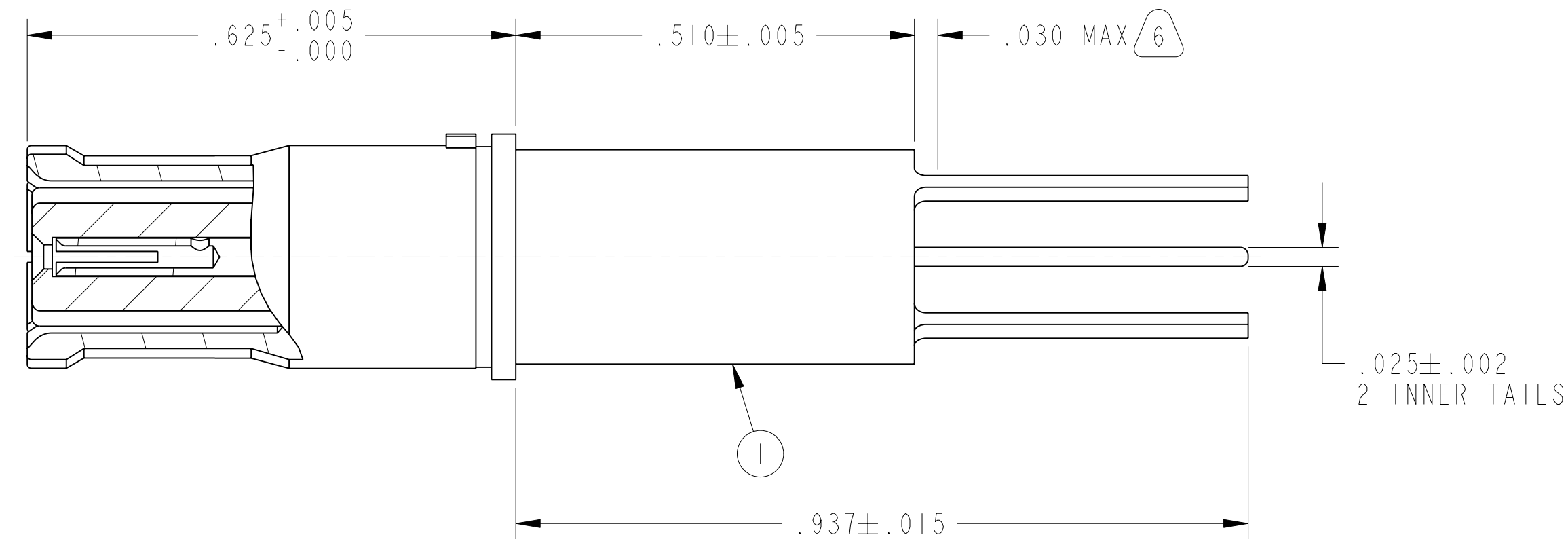
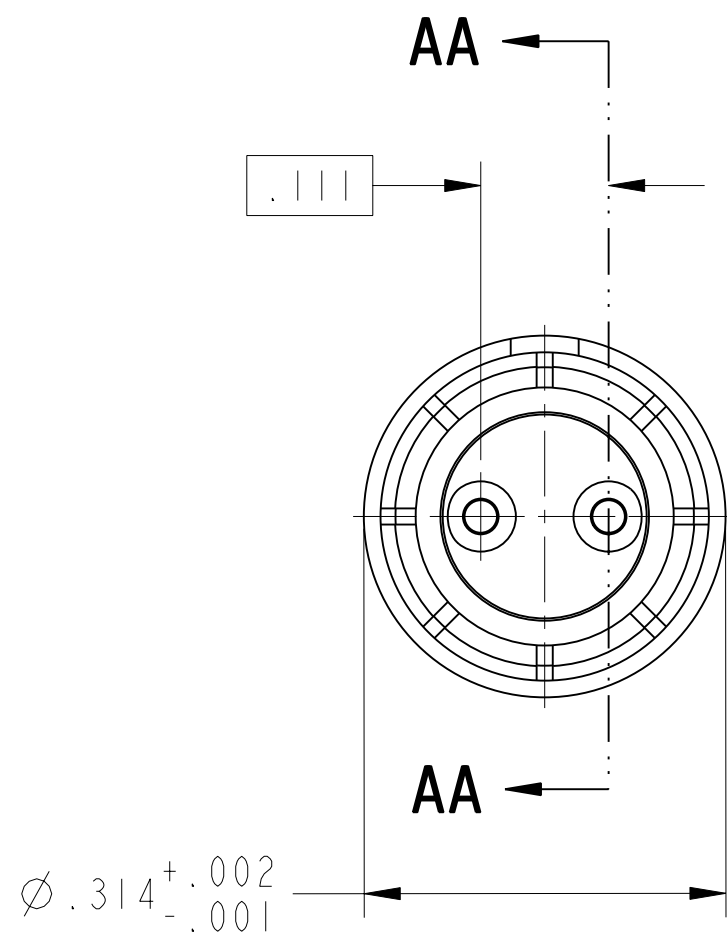
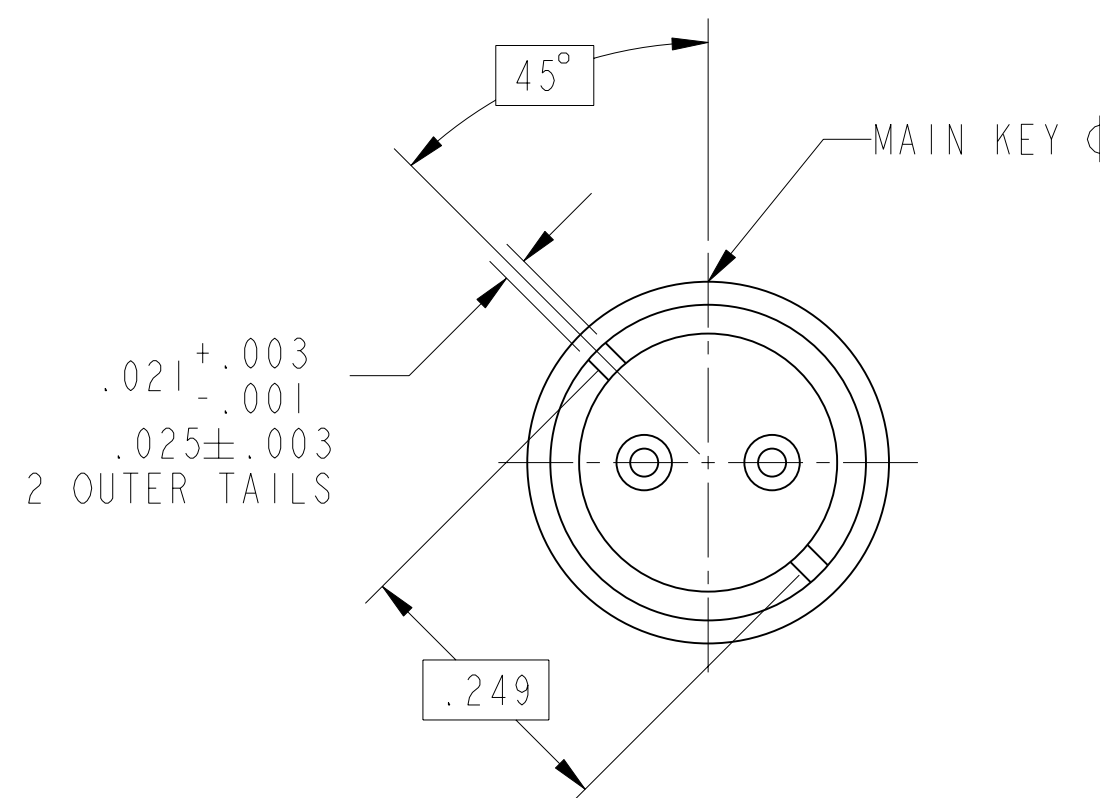


REV. A	SHEET 1 OF 1	DOCUMENT NO. 21-033835-081
REVISIONS		
LTR	DESCRIPTION	DATE
A	INITIAL RELEASE	---



PARTIAL SECTION AA-AA



VIEW AT R-R

- 6. EPOXY MAY BE PRESENT ON CONTACT TAILS IN INDICATED AREA.
- 5. MATES WITH M38999 DIFFERENTIAL TWINAX PINS 21-033387-021 & OTHERS.
- 4. ALL DIMENSIONS ARE AFTER PLATING.
- 3. MATERIALS:
 OUTER & INNER CONTACTS- BERYLLIUM COPPER PER ASTM-B-196
 FRONT INSULATOR & SPACER INSULATOR- TFE RESIN PER AMS 3651
- 2. FINISH:
 GOLD PLATED PER MIL-G-45204 TYPE II, GRADE C, CLASS I (.000050 MIN)
 OVER NICKEL PLATE PER QQ-N-290 (.000050 MIN).
- 1. CONTACTS MEET THE ENVELOPE DIMENSIONAL REQUIREMENTS OF M39029/91.

NOTES:

THE USE OF THIS DOCUMENT IS UNLIMITED. HOWEVER, DOCUMENTS REFERENCED HEREON MAY CONTAIN LIMITED RIGHTS DATA.

10-628485-525
NEXT ASSEMBLY

PRO/ENGINEER INFORMATION
Pro/e Model Used:
21-033835-081.ASSEM
Drawing Name:
21-033835-081

UNLESS OTHERWISE SPECIFIED	SPECIFICATIONS
LINEAR DIMENSIONS ARE IN INCHES TOLERANCES: .XXXX = $\pm .0005$ ANGLES = $\pm 2^\circ$.XXX = $\pm .010$.XX = $\pm .03$.X = $\pm .1$	MATERIAL SPEC. N/A
DIM. & TOL. PER ASME Y14.5M; DRM PER MIL-DTL-31000; OTHER Amphenol Stds. PER 9-3800	PROCESS SPEC. N/A
LEGENDS: = FLAG NOTE CALL OUT REFERENCE ONLY	

I	I	21-033835-081M	CONTACT, SOCKET, TWINAX, PCB	
POS	QTY	PART NUMBER	DESCRIPTION	NOTE
PARTS LIST				
AMPHENOL CORPORATION 40-60 DELAWARE AVENUE SIDNEY, N.Y. 13858				
CONTACT, SOCKET, DIFFERENTIAL TWINAX, ELECTRICAL CONNECTOR, 100 OHM, TYPE M38999 I & III, PCB				
SIZE	CAGE CODE	DOCUMENT NO.	REV.	
C	77820	21-033835-081	A	
SCALE: 6.0	REF. 21-033835-031	SHEET 1 OF 1		

RELEASED / Aug . 30 2007, 08:28 AM

DOCUMENT NO. 21-033835-081

SHEET 1 OF 1

REV. A

21-033835-081

SHEET 1 OF 1

REV. A

C

B

A

D

C

VERSION I

REVISION A

RELEASE STATE Released

REV. A

SHEET 1 OF 1

21-033835-081