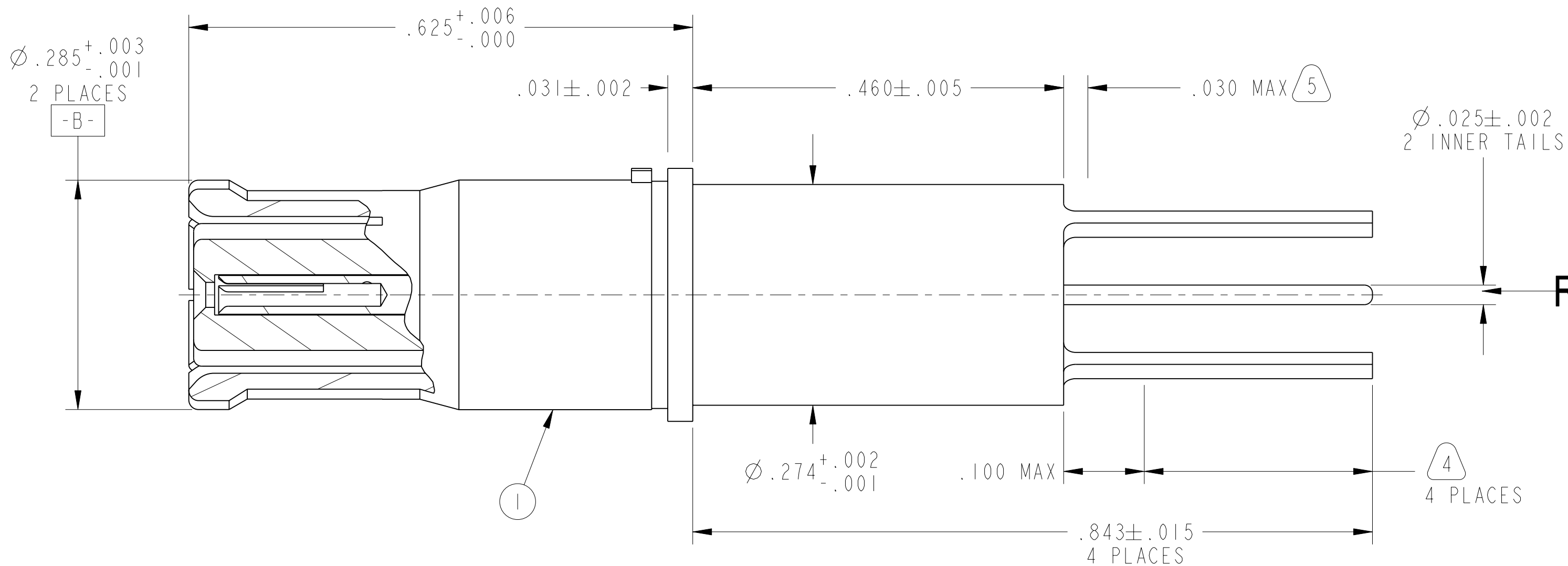
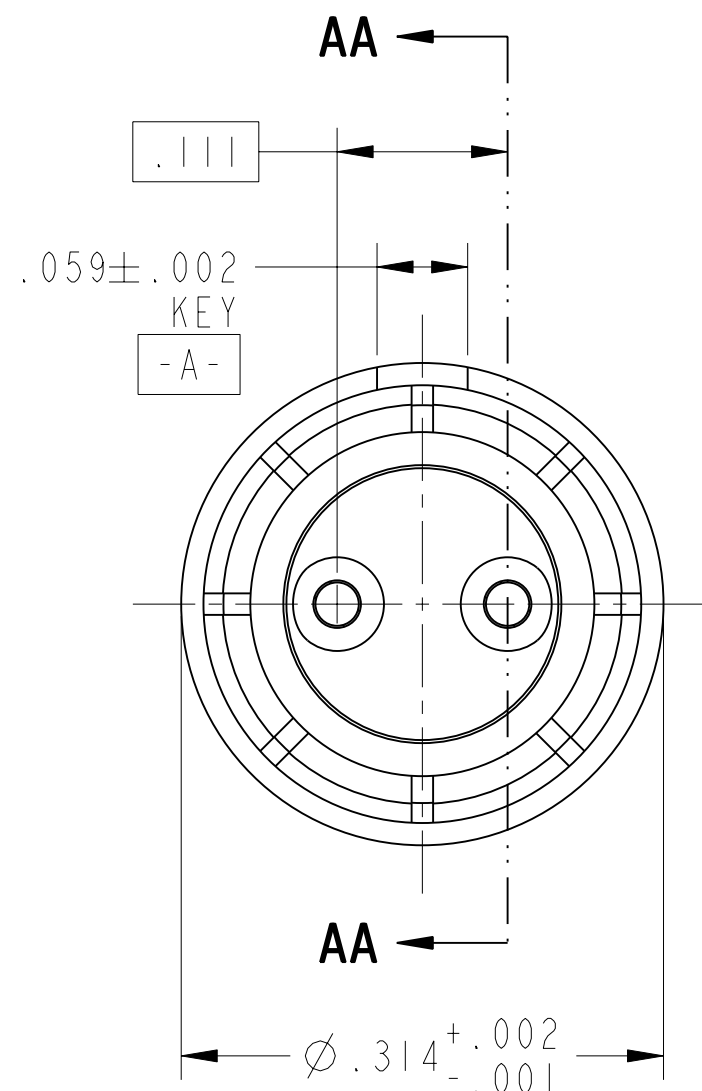
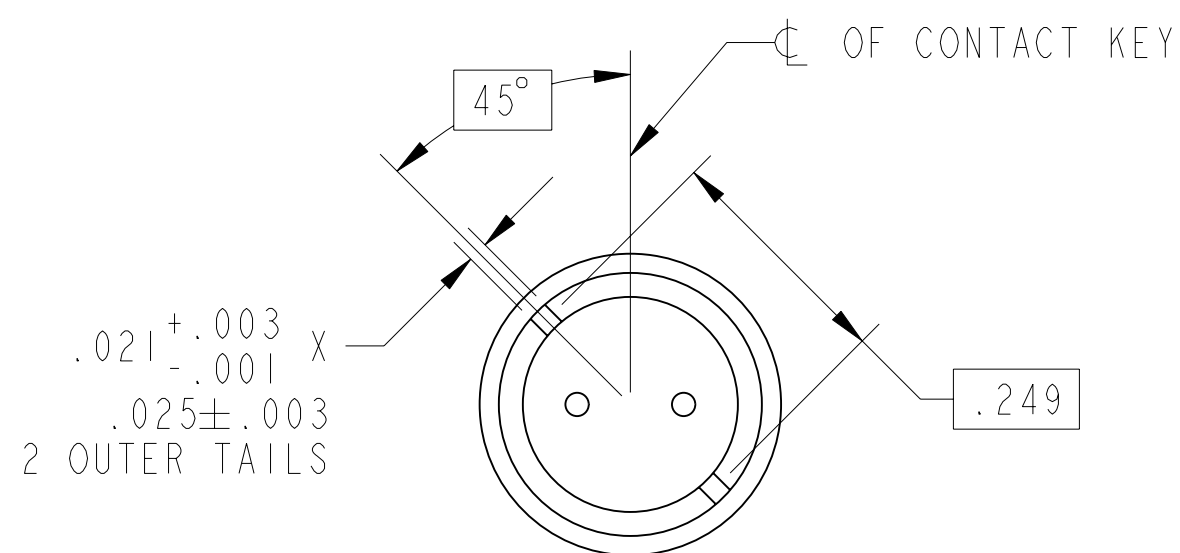


REV. V	DOCUMENT NO. 21-033835-101	SHEET 1 OF 1
REVISIONS		
LTR	DESCRIPTION	DATE
A	INITIAL RELEASE	-



PARTIAL SECTION AA-AA



VIEW AT R
SCALE 5.000

- 7. PART HAS BEEN VACUUM DEGASSED FOR SPACE APPLICATIONS.
- 6. MATES WITH M38999 DIFFERENTIAL TWINAX PINS 21-033387-() & OTHERS.
- 5. EPOXY MAY BE PRESENT ON CONTACT TAILS IN INDICATED AREA.
- 4. PCB TAILS PRETINNED IN INDICATED AREA.
- 3. MATERIALS:
OUTER & INNER CONTACTS- BERYLLIUM COPPER PER ASTM-B-196
FRONT INSULATOR & SPACER INSULATOR- TFE RESIN PER AMS 3651
- 2. FINISH:
GOLD PLATED PER MIL-G-45204 TYPE II, GRADE C, CLASS I (.000050 MIN)
OVER NICKEL PLATE PER QQ-N-290 (.000050 MIN).
- 1. CONTACTS MEET THE ENVELOPE DIMENSIONAL REQUIREMENTS OF M39029/91.

NOTES:

THE USE OF THIS DOCUMENT IS UNLIMITED. HOWEVER, DOCUMENTS REFERENCED HEREON MAY CONTAIN LIMITED RIGHTS DATA.

RELEASED / Sep. 10 2007, 04:58 PM
 DOCUMENT NO. 21-033835-101
 SHEET 1 OF 1
 REV. A

N/A
 NEXT ASSEMBLY

PRO/ENGINEER INFORMATION
 Pro/e Model Used:
 21-033835-101.ASSEM
 Drawing Name:
 21-033835-101

UNLESS OTHERWISE SPECIFIED	SPECIFICATIONS
LINEAR DIMENSIONS ARE IN INCHES TOLERANCES: .XXXX = ±.0005 ANGLES= ±2° .XXX = ±.010 .XX = ±.03 .X = ±.1	MATERIAL SPEC. N/A
DIM. & TOL. PER ASME Y14.5M; DRM PER MIL-DTL-31000; OTHER Amphenol Stds. PER 9-3800	PROCESS SPEC. N/A
LEGENDS: = FLAG NOTE CALL OUT REFERENCE ONLY	

I	I	21-033835-101M	D-TWINAX, PCK SOCKET	
POS	QTY	PART NUMBER	DESCRIPTION	NOTE
PARTS LIST				
AMPHENOL CORPORATION 40-60 DELAWARE AVENUE SIDNEY, N.Y. 13858				
CONTACT, SOCKET, DIFFERENTIAL TWINAX, TYPE M38999 I & III, PCB				
SIZE C	CAGE CODE 77820	DOCUMENT NO. 21-033835-101	REV. A	
SCALE: 8.0	REF. 21-033835-061	SHEET 1 OF 1		

21-033835-101

SHEET 1 OF 1

REV. A

C

B

A

FORMAT: C-U-E-1

D

C

0

A

Released

REV. A

SHEET 1 OF 1

21-033835-101