

REV. B		SHEET 1 OF 1		DOCUMENT NO. 21-033840-021	
REVISIONS					
LTR	DESCRIPTION			DATE	
A	INITIAL RELEASE			11/08/2006	
B	(CL 11) SEE ECN A1826			---	

21-033840-021

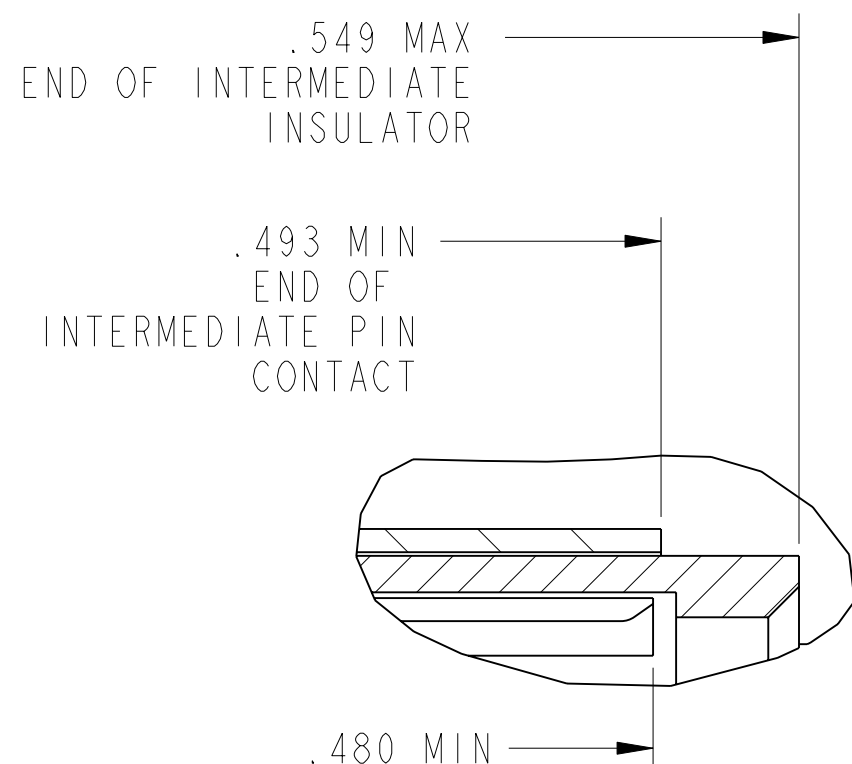
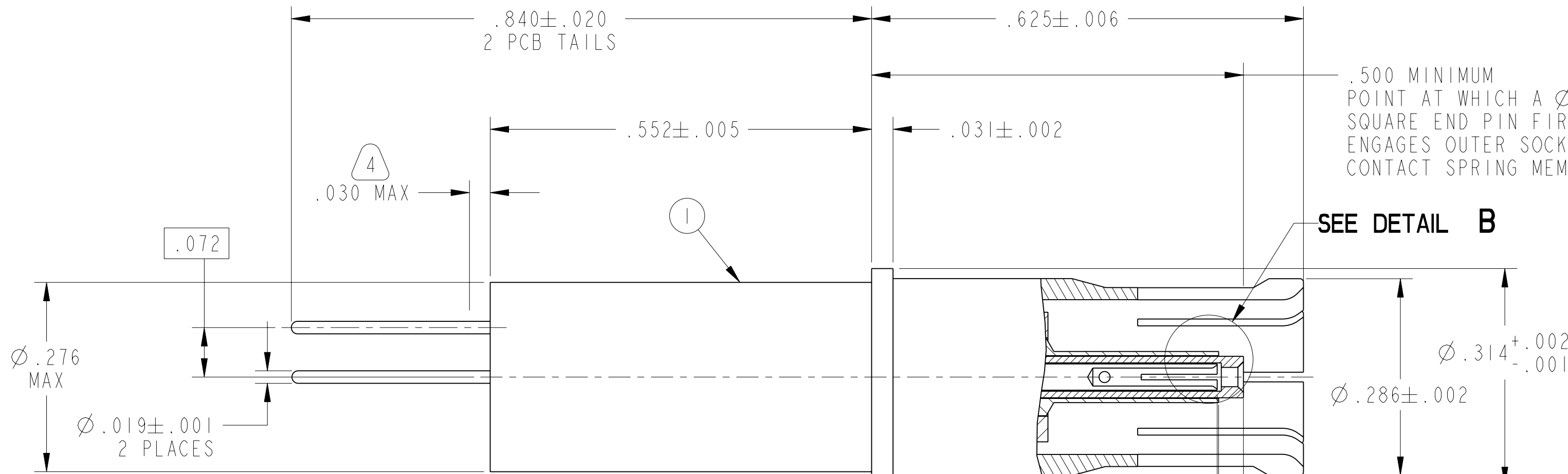
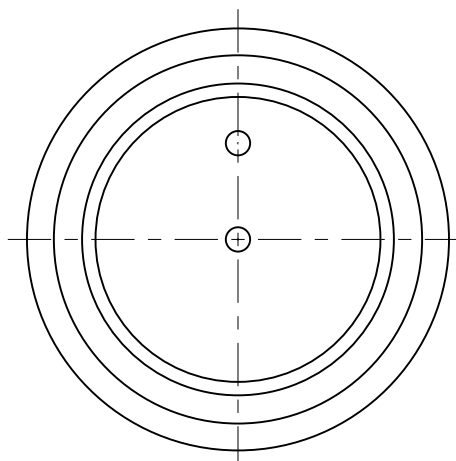
SHEET 1 OF 1

REV. B

C

B

A



.480 MIN  
POINT AT WHICH A Ø.0240±.0002  
SQUARE END PIN FIRST  
ENGAGES SOCKET  
CONTACT SPRING MEMBER

OUTER SOCKET  
CONTACT:  
MATES WITH A  
Ø.218±.001  
PIN CONTACT

INTERMEDIATE PIN  
CONTACT  
Ø.074±.001

INNER SOCKET  
CONTACT:  
MATES WITH A  
Ø.0240±.0005  
PIN CONTACT

PARTIAL SECTION A-A

DETAIL B  
SCALE 20.000

- 4. EPOXY MAY BE PRESENT ON TAILS IN INDICATED AREA.
- 3. DRAWING ILLUSTRATES FINAL ASSEMBLY.
- 2. FINISH ON ALL METAL COMPONENTS:  
.000050 MIN GOLD (KNOOP HARDNESS 130-200)
- 1. ORIENTATION OF PCB TAILS TO OUTER CONTACT FEATURES IS IMMATERIAL.

NOTES:

THE USE OF THIS DOCUMENT IS UNLIMITED. HOWEVER, DOCUMENTS REFERENCED HEREON MAY CONTAIN LIMITED RIGHTS DATA.

10-628485-293X  
NEXT ASSEMBLY

PRO/ENGINEER INFORMATION  
Pro/e Model Used:  
21-033840-021.ASSEM  
Drawing Name:  
21-033840-021

UNLESS OTHERWISE SPECIFIED	SPECIFICATIONS
LINEAR DIMENSIONS ARE IN INCHES TOLERANCES: .XXXX = ±.0005 ANGLES= ±2° .XXX = ±.010 .XX = ±.03 .X = ±.1	MATERIAL SPEC. N/A
DIM. & TOL. PER ASME Y14.5M; DRM PER MIL-DTL-31000; OTHER Amphenol Stds. PER 9-3800	PROCESS SPEC. N/A
LEGENDS: = FLAG NOTE CALL OUT REFERENCE ONLY	

I	I	21-033840-021M	SOCKET CONTACT ASSY	I
POS	QTY	PART NUMBER	DESCRIPTION	NOTE
PARTS LIST				
AMPHENOL CORPORATION 40-60 DELAWARE AVENUE SIDNEY, N.Y. 13858				
CONTACT, SOCKET, TRIAXIAL, PCB, TYPE LJT-R & TV-R, SIZE 8				
SIZE	CAGE CODE	DOCUMENT NO.	REV.	
C	77820	21-033840-021	B	
SCALE: 7.0	REF. 21-33840-1	SHEET 1 OF 1		

21-033840-021

SHEET 1 OF 1

REV. B

C

B

A

21-033840-021

FORMAT: C-U-E-1

DOCUMENT NO. 21-033840-021

SHEET 1 OF 1

REV. B