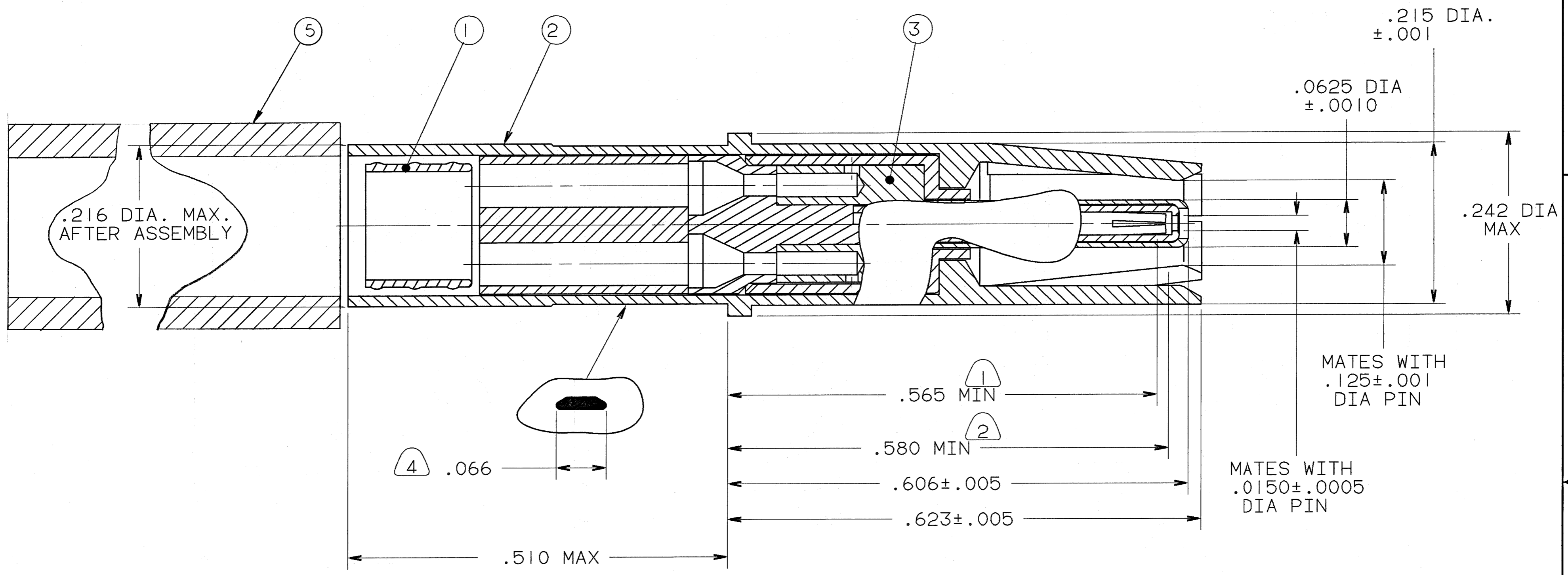


12/07/89 10:53 * 89340 15 13 * PRELSE * 21-33843-1 * A001

REVISIONS				
ZONE	LTR	DESCRIPTION	DATE	APPROVED
	A	INITIAL RELEASE NUM: 70089-377		
	B	(CL II) ADDED F/N 5 ECN: 25711	10/22/91 Prescott	<i>dm</i>



- 6. DRAWING ILLUSTRATES FINAL ASSEMBLY. COMPLETE INSTALLATION INSTRUCTIONS PACKED WITH EACH ASSEMBLY. PACKAGE PER PRODUCTION PROCESS SHEET. SEE NOTE 3.
- 5. INDICATED ITEM NOT ILLUSTRATED.
- 4. BLACK INK STAMP TRADEMARK 9-6700 TYPE IV. PER 9-7530 OR 9-3856-5 IN APPROX POSITION SHOWN. DIRECTION OPTIONAL. TRADEMARK MAY BE SOLID AS SHOWN.
- 3. CAUTION: HANDLE ASSEMBLY CAREFULLY TO PREVENT LOOSENING OF PARTS AND MISALIGNMENT OF WIRE CAVITIES.
- 2. INDICATED DIMENSION IS FROM THE REAR OF OUTER CONTACT SHOULDER TO THE POINT AT WHICH A .1250±.0002 DIA SQUARE ENDED PIN ENGAGES THE OUTER SOCKET CONTACT SPRING.
- 1. INDICATED DIMENSION IS FROM THE REAR OF OUTER CONTACT SHOULDER TO THE POINT AT WHICH A .0150±.0002 DIA SQUARE ENDED PIN ENGAGES THE INNER SOCKET SPRING.

NOTES:
THE USE OF THIS DOCUMENT IS UNLIMITED. HOWEVER, DOCUMENTS REFERENCED HEREON MAY CONTAIN LIMITED RIGHTS DATA.

COMPANY ID: 9
 CODED/MS/CUST: N
 INTERNAL: N
 LOTNO: N
 DATE CODE: N
 SEE PRINT: Y

UNLESS OTHERWISE SPECIFIED LINEAR DIMENSIONS ARE IN INCHES.
 TOLERANCES: .XXX±.010,
 .XX ±.03, .X ±.1,
 ANGLES ±2°.
 OTHER STANDARDS PER 9-3800 AND DOD-D-1000.
 NOTE REF. = *XY*

FIND NO.	QTY REQD.	FSCM NO.	PART NUMBER	DESCRIPTION	NOTE REF.
5	1		21-1384-3	SLEEVE, THERMAL FIT	
4	1		21-33822-2	INSTALLATION INSTRUCTION	5
3	1		21-33807-25	CONTACT, ASSEMBLY	
2	1		21-33803-25	CONTACT, OUTER, ASSEMBLY	3
1	1		21-33817-55	FERRULE, OUTER	

PARTS LIST					
SPECIFICATIONS	SIGNATURES	DATES	AMPHENOL CORPORATION BENDIX CONNECTOR OPERATIONS SIDNEY, N.Y.		
MATERIAL SPEC. N/A	PREPARED MCELLIGOTT CHECKED <i>Stamm</i>	12/05/89 12-11-89	CONTACT, SOCKET, TWINAXIAL, ELECTRICAL CONNECTOR, TYPE LJT-R, SIZE 10.		
PROCESS SPEC. TEST 9-5272-33 SEE NOTE 4.	MATERIAL APPROVED <i>Stamm</i>	12-11-89			
	APPROVED <i>Stamm</i>	13-Dec-89			
	IST PART NO. 21-033843-001				
SIZE C	FSCM NO. 77820	21-33843-1		REV. B	
SCALE NONE	WT.	REF 21-33844-1 & 21-33801-1	SHEET 1 OF 1		