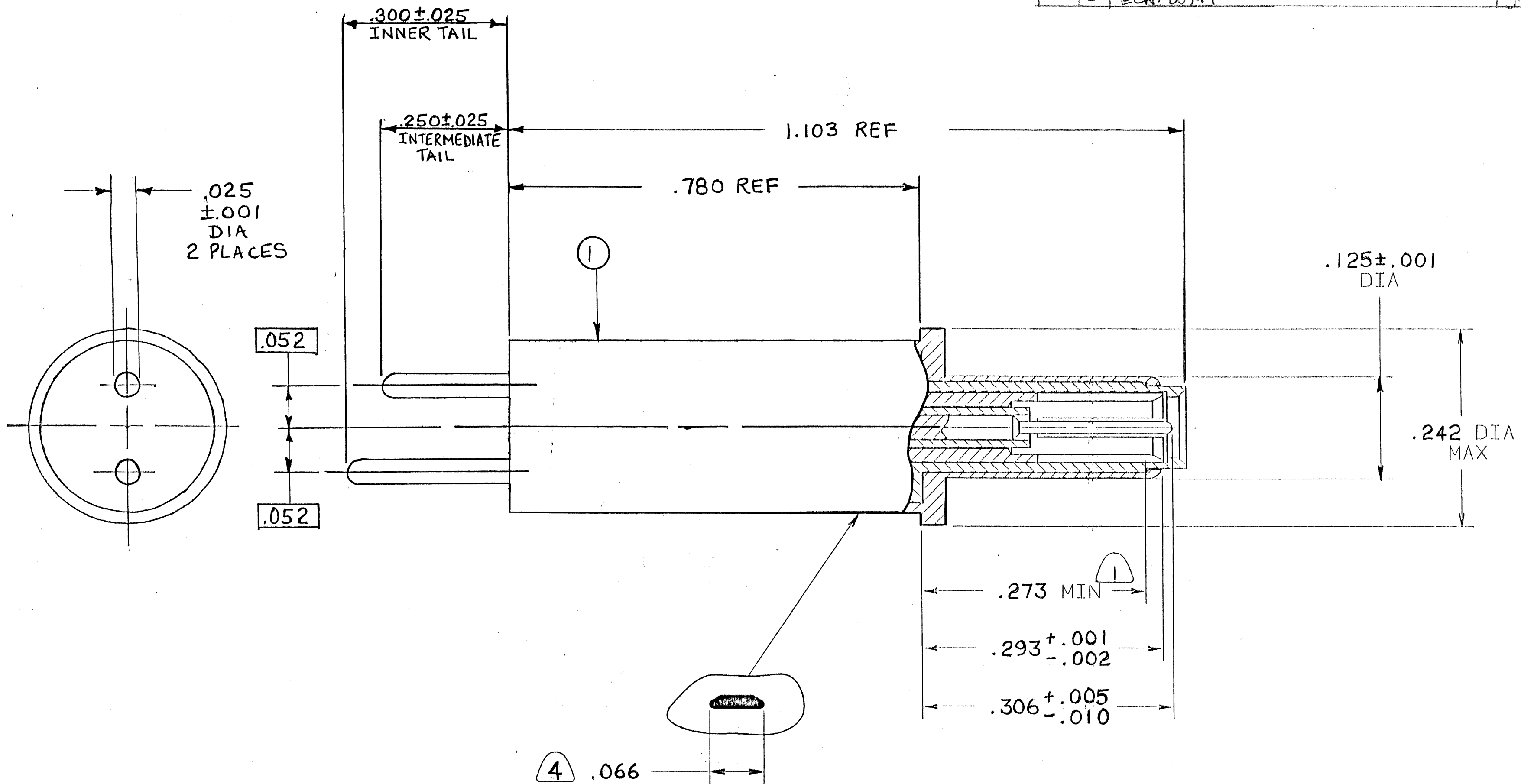


REVISIONS				
ZONE	LTR	DESCRIPTION	DATE	APPROVED
	A	INITIAL RELEASE NUMBER: 70094-511		
	B	(CLTD) SEE CHANGE SHEET ECN: 80944	8.16.96	groesch



5. DRAWING ILLUSTRATES FINAL ASSEMBLY, PACKAGE PER PRODUCTION PROCESS SHEET

4. IF NOT PREVIOUSLY STAMPED, BLACK INK STAMP TRADEMARK 9-6700 TYPE IV, PER 9-7530 OR 9-3856-5 IN APPROX POSITION SHOWN. DIRECTION OPTIONAL. TRADEMARK MAY BE SOLID AS SHOWN.

3. CLEANING OF PARTS IN CHLORINATED SOLVENTS IS NOT PERMISSIBLE.

2. CAUTION; HANDLE ASSEMBLY CAREFULLY TO PREVENT LOOSENING OF PARTS AND MISALIGNMENT OF CONTACT TAILS.

1. INDICATED DIMENSION TO BE FROM REAR SHOULDER OF OUTER PIN TO THE POINT AT WHICH A .0625 ±.0002 DIA SQUARE ENDED PIN ENGAGES SOCKET SPRING.

NOTES:

THE USE OF THIS DOCUMENT IS UNLIMITED. HOWEVER, DOCUMENTS REFERENCED HEREON MAY CONTAIN LIMITED RIGHTS DATA.

UNLESS OTHERWISE SPECIFIED LINEAR DIMENSIONS ARE IN INCHES.  
TOLERANCES: .XXX ±.010,  
.XX ±.03, .X ±.1,  
ANGLES 12°.  
OTHER STANDARDS PER 9-3800  
AND DOD-D-1000.  
NOTE REF. =

I		I		21-33844-2M		CONTACT ASSEMBLY	
FIND NO.	QTY RECD.	FSCM NO.	PART NUMBER	DESCRIPTION	NOTE REF.		
SPECIFICATIONS				SIGNATURES		DATES	
MATERIAL SPEC. N/A				RATCHFORD		12-15-94	
PROCESS SPEC. TEST 9-5272-33 SEE NOTE 4						12/21/94	
AMPHENOL CORPORATION BENDIX CONNECTOR OPERATIONS SIDNEY, N.Y.				CONTACT, PIN, TWINAXIAL, PCB, ELECTRICAL CONNECTOR, TYPE LJT-R, SIZE 10			
SIZE	FSCM NO.	21-33844-2		REV	B		
SCALE	WT.	REF	21-33844-1	SHEET	N/A		

21-33844-2