

REV. C	SHEET 1 OF 1	21-33856-65
REVISIONS		
LTR	DESCRIPTION	DATE
A	INITIAL RELEASE	
B	(CL 11) CHANGE DIMENSION .640 AND ADDED NOTE 6 ECN: A1584	DJSMITH 10/30/06
C	(CL 11) SEE ECN A2782	---

21-33856-65

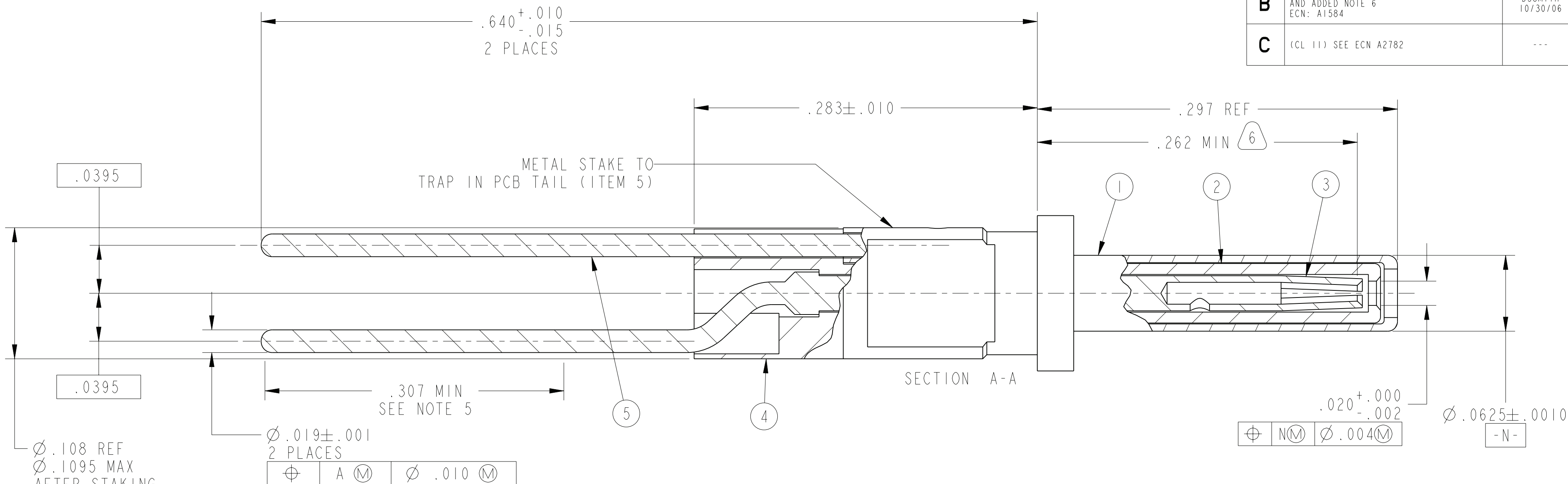
SHEET 1 OF 1

REV. C

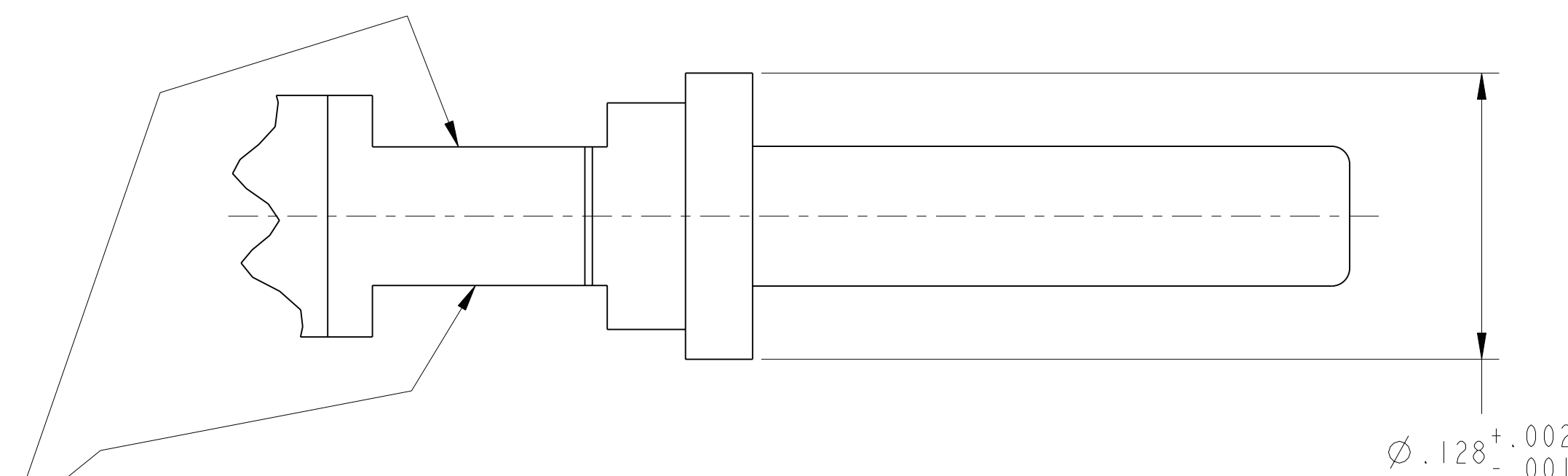
C

B

A



6. INDICATED DIMENSION TO BE FROM REAR OF SHOULDER TO THE POINT AT WHICH A .0150 ±.0002 DIA SQUARE ENDED PIN ENGAGES THE SOCKET CONTACT SPRING.
5. PRETIN INDICATED LENGTH OF CONTACT TAILS PER 9-7894, EXCEPT FLUX REMOVAL PER 9-7187 ONLY.
4. DIELECTRIC WITHSTANDING VOLTAGE TEST:
CONTACT ASSEMBLY SHALL MEET THE FOLLOWING REQUIREMENTS AFTER ASSEMBLY HAS BEEN COMPLETED.
 - A. A TEST VOLTAGE OF 500 VOLTS AC RMS SHALL BE APPLIED BETWEEN THE INNER AND OUTER CONTACTS.
 - B. THE VOLTAGE SHALL BE APPLIED FOR 2 SECONDS MINIMUM.
 - C. THE LEAKAGE CURRENT SHALL NOT EXCEED 1 MILLIAMPERE.
 - D. THERE SHALL BE NO EVIDENCE OF BREAKDOWN OR FLASHOVER.
3. PACKAGE PER PRODUCTION PROCESS SHEET. HANDLE CAREFULLY TO AVOID DISTORTION OF PCB TAILS.
2. CLEANING OF PARTS IN CHLORINATED SOLVENTS IS NOT PERMISSIBLE.
1. MATES WITH COAXIAL SOCKET CONTACT SERIES 21-33123-56() & 21-33121-56().



POS	QTY	PART NUMBER	DESCRIPTION	NOTE
5	1	21-33620-5	PCB TAIL	
4	1	21-33620-4	REAR INSULATOR	
3	1	21-33826-2	INNER CONTACT	
2	1	21-277-18	FRONT INSULATOR	
1	1	21-33826-1	OUTER CONTACT	

UNLESS OTHERWISE SPECIFIED	SPECIFICATIONS
LINEAR DIMENSIONS ARE IN INCHES TOLERANCES: .XXXX = ±.0005 ANGLES= ±2° .XXX = ±.010 .XX = ±.03 .X = ±.1	MATERIAL SPEC. N/A
DIM. & TOL. PER ASME Y14.5M; DRM PER MIL-DTL-31000; OTHER Amphenol Stds. PER 9-3800	PROCESS SPEC. 9-7894 9-7187
LEGENDS: = FLAG NOTE CALL OUT REFERENCE ONLY	

APPROVALS	DATE
PREPARED BY JHEATH	
ENGINEER IN CHARGE L. RATCHFORD	30-0c1-06
DESIGN MANAGER A. DAVIS	
DESIGN ACTIVITY GROUP MIL AERO	
THIRD ANGLE PROJECTION	

PARTS LIST			
AMPHENOL CORPORATION 40-60 DELAWARE AVENUE SIDNEY, N.Y. 13858			
CONTACT, PIN, COAXIAL, SIZE 16, PCB STYLE, TYPE LJT-R			
SIZE C	CAGE CODE 77820	DOCUMENT NO. 21-33856-65	REV. C
SCALE: 16:0	REF. 21-33856-15	SHEET 1 OF 1	

THE USE OF THIS DOCUMENT IS UNLIMITED. HOWEVER, DOCUMENTS REFERENCED HEREON MAY CONTAIN LIMITED RIGHTS DATA.	N/A	PRO/ENGINEER INFORMATION Pro/e Model Used: 21-33856-65.ASSEM Drawing Name: 21-33856-65
DOCUMENT NO. 21-33856-65	SHEET 1 OF 1	REV. C

RELEASE STATE Released
REVISION C
VERSION 01
SHEET 1 OF 1
21-33856-65