

REV. B		SHEET 1 OF 1		21-33857-3	
REVISIONS					
LTR	DESCRIPTION	DATE			
A	INITIAL RELEASE	1/9/03			
B	(CL 11) SEE CHG NOTICE ECN: A8444-0000	6/3/10			

21-33857-3

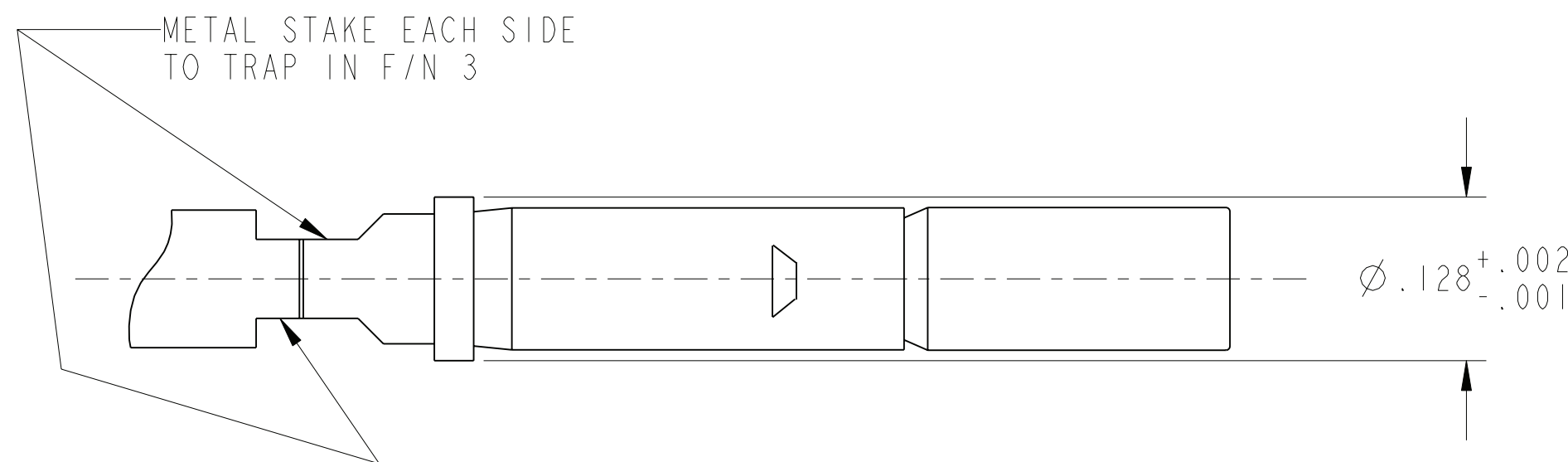
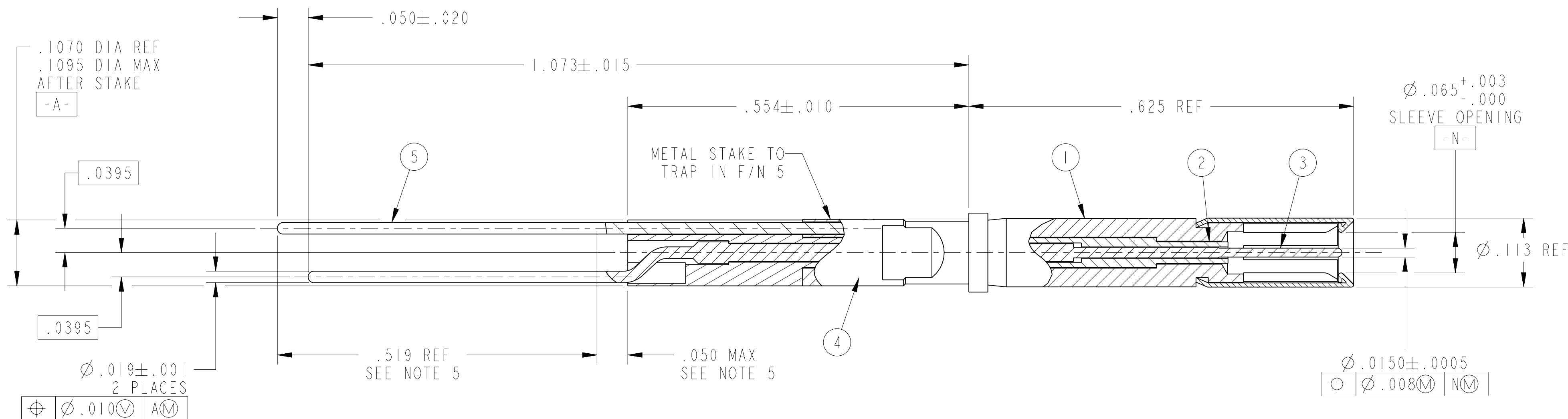
SHEET 1 OF 1

REV. B

C

B

A



5. PRETIN INDICATED AREA TO WITHIN .050 OF THE CONTACT BODY PER 9-7894, EXCEPT FLUX REMOVAL PER 9-7187 ONLY.
4. DIELECTRIC WITHSTANDING VOLTAGE TEST:  
CONTACT ASSEMBLY 21-33857-3 SHALL MEET THE FOLLOWING REQUIREMENTS AFTER ASSEMBLY HAS BEEN COMPLETED.  
A. A TEST VOLTAGE OF 500 VOLTS AC RMS SHALL BE APPLIED BETWEEN THE INNER AND OUTER CONTACTS.  
B. THE VOLTAGE SHALL BE APPLIED FOR 2 SECONDS MINIMUM.  
C. THE LEAKAGE CURRENT SHALL NOT EXCEED 1 MILLAMPERE.  
D. THERE SHALL BE NO EVIDENCE OF BREAKDOWN OR FLASHOVER.
3. PACKAGE PER PRODUCTION PROCESS SHEET.  
HANDLE CAREFULLY TO AVOID DISTORTION OF PCB TAILS.
2. CLEANING OF PARTS IN CHLORINATED SOLVENTS IS NOT PERMISSIBLE.
1. MATES WITH COAXIAL PIN CONTACT SERIES 21-33122-56().

NOTES:

THE USE OF THIS DOCUMENT IS UNLIMITED. HOWEVER, DOCUMENTS REFERENCED HEREON MAY CONTAIN LIMITED RIGHTS DATA.

N/A  
NEXT ASSEMBLY

PRO/ENGINEER INFORMATION  
Pro/e Model Used:  
21-033857-003.ASSEM  
Drawing Name:  
21-33857-3

UNLESS OTHERWISE SPECIFIED

LINEAR DIMENSIONS ARE IN INCHES  
TOLERANCES:  
.XXXX = ±.0005 ANGLES= ±2°  
.XXX = ±.010  
.XX = ±.03  
.X = ±.1

DIM. & TOL. PER ASME Y14.5M;  
DRM PER MIL-DTL-31000;  
OTHER Amphenol Stds. PER 9-3800

LEGENDS:  
=FLAG NOTE CALL OUT REFERENCE ONLY

SPECIFICATIONS

MATERIAL SPEC.  
N/A

PROCESS SPEC.  
9-7894  
9-7187

POS	QTY	PART NUMBER	DESCRIPTION	NOTE
5	1	21-000278-055	PCB TAIL	
4	1	21-000277-017	REAR INSULATOR	
3	1	21-000296-015	INNER CONTACT	
2	1	21-000277-022	FRONT INSULATOR	
1	1	21-000297-015	OUTER CONTACT	

APPROVALS	DATE
PREPARED BY L. RATCHFORD	
ENGINEER IN CHARGE L. RATCHFORD	15-Nov-02
DESIGN MANAGER A. DAVIS	
DESIGN ACTIVITY GROUP MIL AERO	

PARTS LIST

**AMPHENOL CORPORATION**  
40-60 DELAWARE AVENUE  
SIDNEY, N.Y. 13858

**CONTACT, SOCKET, COAXIAL,  
SIZE 16, PCB STYLE,  
TYPE LJT-R**

SIZE C	CAGE CODE 77820	DOCUMENT NO. 21-33857-3	REV. B
SCALE: 8.0		REF. 21-33856-15	SHEET 1 OF 1

FORMAT: C-0-E-1

21-33857-3

SHEET 1 OF 1

REV. B

VERSION 0

REVISION B

RELEASE STATE Released

REV. B

SHEET 1 OF 1

21-33857-3