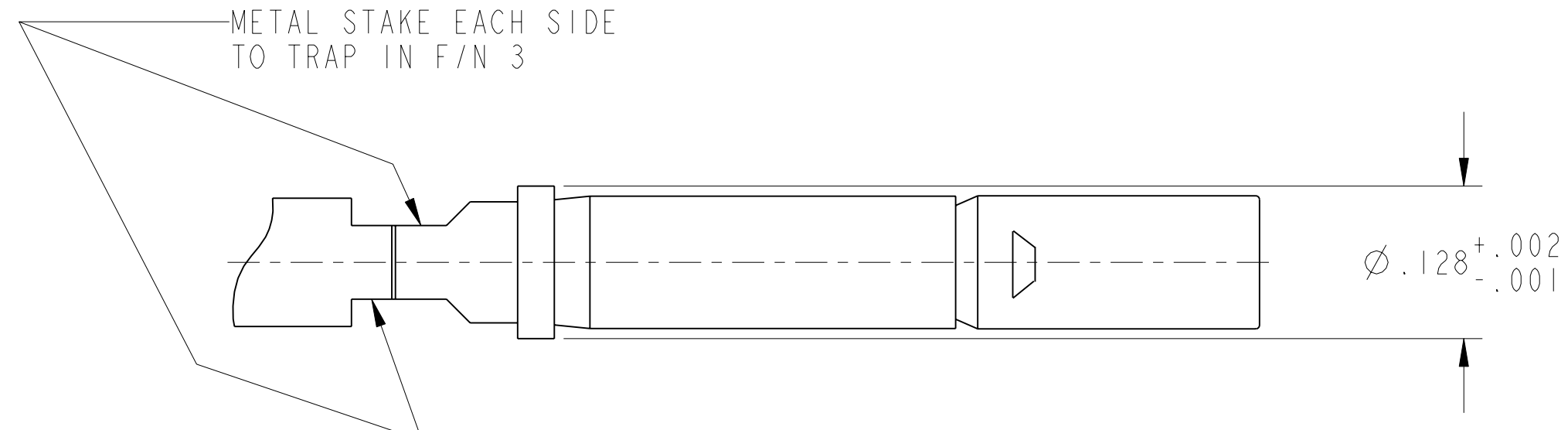
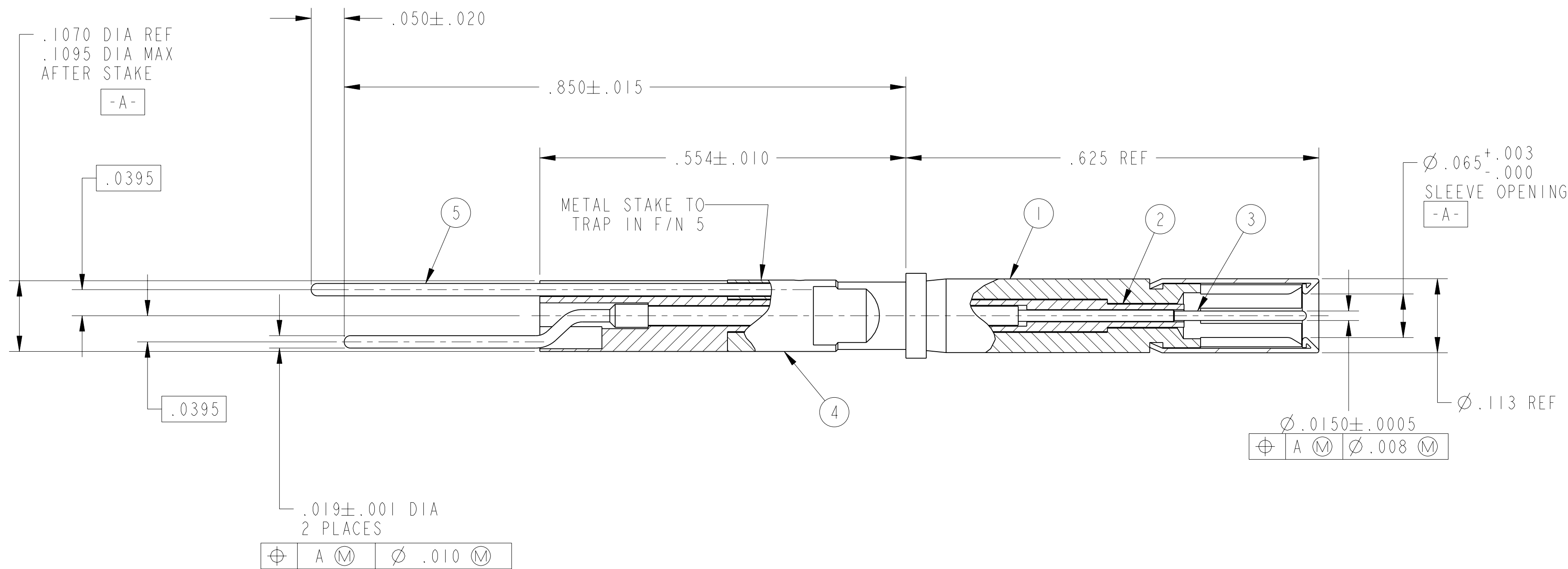


| | | | | | |
|-----------|-----------------|--------------|--|----------------------------|--|
| REV. A | | SHEET 1 OF 1 | | DOCUMENT NO. 21-033857-007 | |
| REVISIONS | | | | | |
| LTR | DESCRIPTION | | | DATE | |
| A | INITIAL RELEASE | | | | |



4. DIELECTRIC WITHSTANDING VOLTAGE TEST:
 CONTACT ASSEMBLY SHALL MEET THE FOLLOWING REQUIREMENTS AFTER ASSEMBLY HAS BEEN COMPLETED.
- A. A TEST VOLTAGE OF 500 VOLTS AC RMS SHALL BE APPLIED BETWEEN THE INNER AND OUTER CONTACTS.
 - B. THE VOLTAGE SHALL BE APPLIED FOR 2 SECONDS MINIMUM.
 - C. THE LEAKAGE CURRENT SHALL NOT EXCEED 1 MILLIAMPERE.
 - D. THERE SHALL BE NO EVIDENCE OF BREAKDOWN OR FLASHOVER.

3. PACKAGE PER PRODUCTION PROCESS SHEET.
 HANDLE CAREFULLY TO AVOID DISTORTION OF PCB TAILS.
2. CLEANING OF PARTS IN CHLORINATED SOLVENTS IS NOT PERMISSIBLE.
1. MATES WITH COAXIAL PIN CONTACT SERIES 21-33122-56().

NOTES:

THE USE OF THIS DOCUMENT IS UNLIMITED. HOWEVER, DOCUMENTS REFERENCED HEREON MAY CONTAIN LIMITED RIGHTS DATA.

RELEASED / Jun . 06 2007, 11:19 AM

DOCUMENT NO. 21-033857-007

SHEET 1 OF 1

REV. A

| | |
|-----|--------------------------|
| N/A | PRO/ENGINEER INFORMATION |
| N/A | Pro/e Model Used: |
| N/A | 21-000297-015.ASSEM |
| N/A | Drawing Name: |
| N/A | 21-033857-007 |

| | |
|--|-----------------------|
| UNLESS OTHERWISE SPECIFIED | SPECIFICATIONS |
| LINEAR DIMENSIONS ARE IN INCHES TOLERANCES: .XXXX = ±.0005 ANGLES= ±2° .XXX = ±.010 .XX = ±.03 .X = ±.1 | MATERIAL SPEC. N/A |
| DIM. & TOL. PER ASME Y14.5M; DRM PER MIL-DTL-31000; OTHER Amphenol Stds. PER 9-3800 | PROCESS SPEC. N/A |
| LEGENDS: = FLAG NOTE CALL OUT REFERENCE ONLY | |

| POS | QTY | PART NUMBER | DESCRIPTION | NOTE |
|-----|-----|---------------|-----------------|------|
| 5 | 1 | 21-000278-075 | PCB TAIL | |
| 4 | 1 | 21-000277-017 | REAR INSULATOR | |
| 3 | 1 | 21-000296-075 | INNER CONTACT | |
| 2 | 1 | 21-000277-022 | FRONT INSULATOR | |
| 1 | 1 | 21-000297-015 | OUTER CONTACT | |

APPROVALS

PREPARED BY: DJSMITH

ENGINEER IN CHARGE: L. RATCHFORD

DESIGN MANAGER: H. JOHNSON

DATE: 18-May-07

DESIGN ACTIVITY GROUP: MIL AERO DEVELOP

THIRD ANGLE PROJECTION

AMPHENOL CORPORATION
 40-60 DELAWARE AVENUE
 SIDNEY, N.Y. 13858

CONTACT, SOCKET, COAXIAL,
 SIZE 16, PCB STYLE,
 TYPE LJT-R

SIZE C

CAGE CODE 77820

DOCUMENT NO. 21-033857-007

REV. A

SCALE: 8.0

REF 21-33857-1

SHEET 1 OF 1

21-033857-007

SHEET 1 OF 1

REV. A

C

B

A

RELEASED / Jun . 06 2007, 11:19 AM

21-033857-007

21-033857-007

SHEET 1 OF 1

REV. A

C

B

A

RELEASED / Jun . 06 2007, 11:19 AM

21-033857-007