

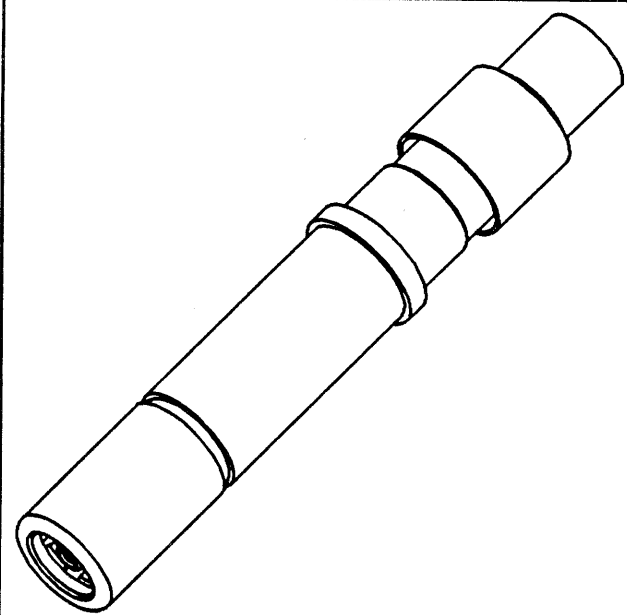
4

3

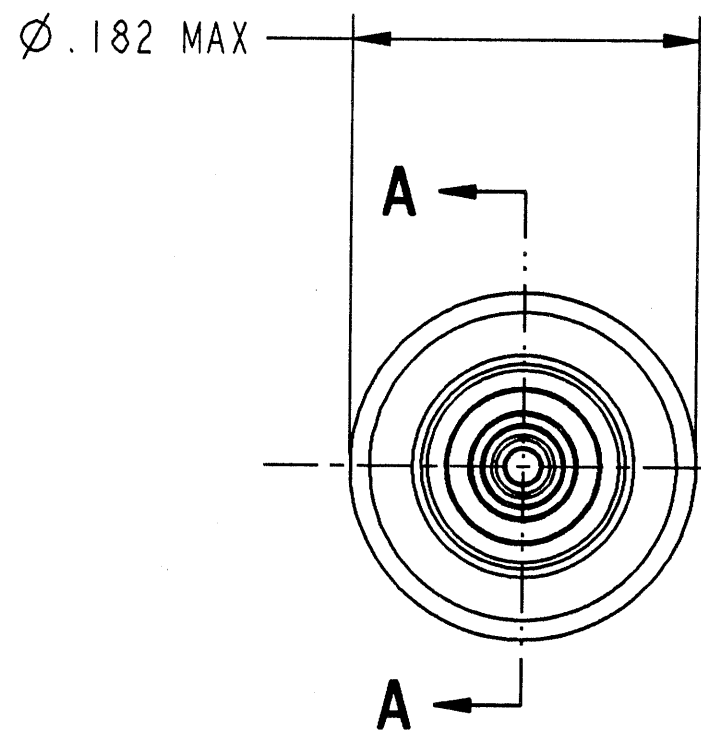
2

1

REVISIONS			
LTR	DESCRIPTION	DATE	APPVD
A	INITIAL RELEASE NUM: 10028-453		

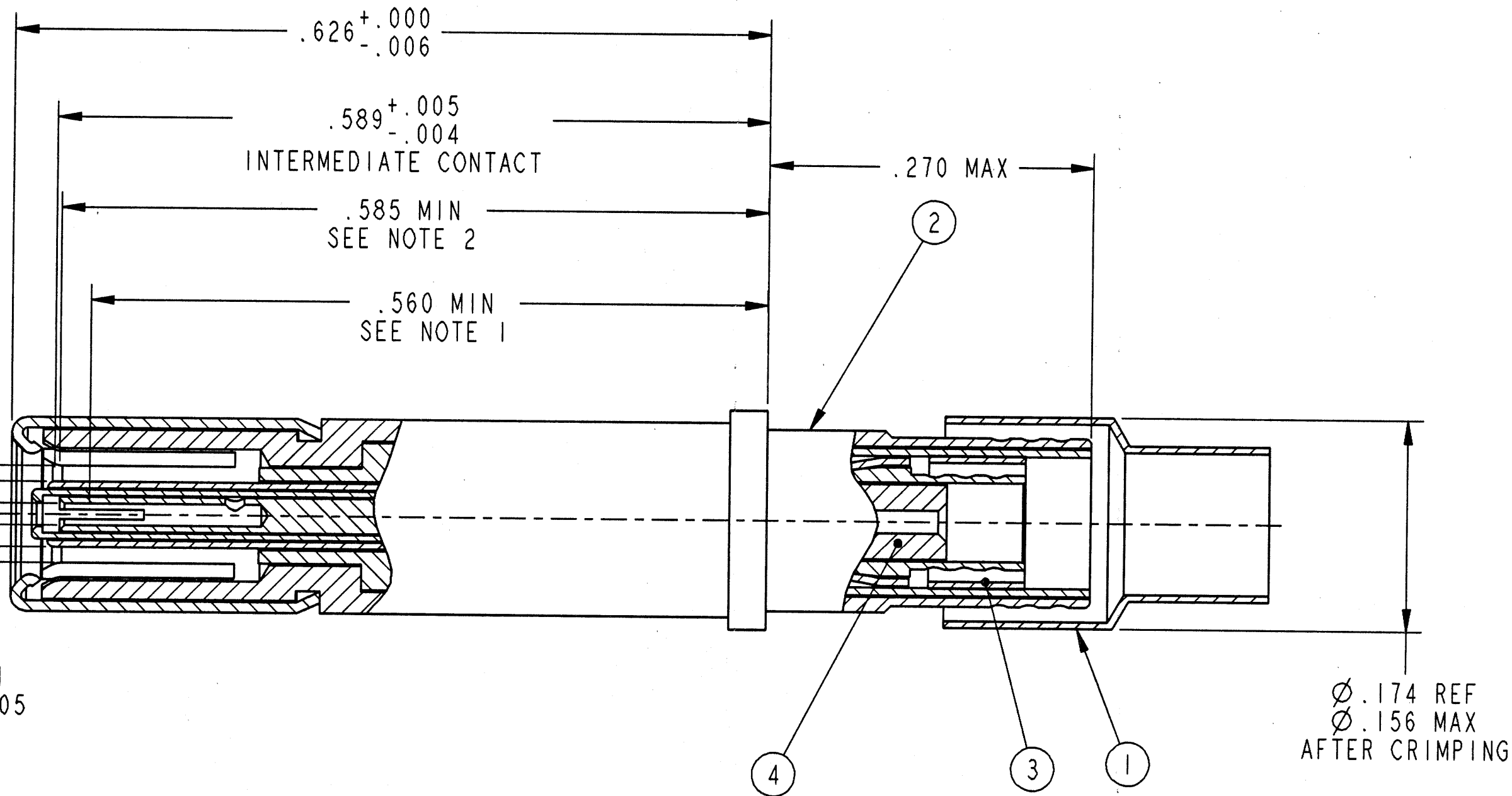


SCALE 4



MATES WITH
Ø .094 ± .001
PIN

MATES WITH
Ø .0150 ± .0005
PIN



SECTION A-A

- 6. MATES WITH TRIAXIAL PIN CONTACT 21-33909-12
- 5. THIS CONTACT ACCOMMODATES TRIAXIAL CABLE JN1088WU.
- 4. INDICATED COMPONENT IS NOT ILLUSTRATED. COMPLETE INSTALLATION INSTRUCTIONS PACKAGED WITH EACH ASSEMBLY. PACKAGE PER PRODUCTION PROCESS SHEET.
- 3. PROCESS SPEC:
TEST 9-5272-36
- 2. INDICATED DIMENSION IS FROM THE REAR OF THE OUTER CONTACT SHOULDER TO THE POINT AT WHICH A Ø .0940 ± .0002 SQUARE ENDED PIN ENGAGES THE OUTER SOCKET CONTACT SPRING.
- 1. INDICATED DIMENSION IS FROM THE REAR OF THE OUTER CONTACT SHOULDER TO THE POINT AT WHICH A Ø .0150 ± .0002 SQUARE ENDED PIN ENGAGES THE INNER SOCKET CONTACT SPRING.

NOTES:

THE USE OF THIS DOCUMENT IS UNLIMITED. HOWEVER, DOCUMENTS REFERENCED HEREON MAY CONTAIN LIMITED RIGHTS DATA.

N/A
N/A
NEXT ASSEMBLY

POS	QTY	PART NUMBER	DESCRIPTION	NOTE
5	1	21-33766-5	INSTALLATION INSTRUCTIONS	4
4	1	21-33762-5	INNER CONTACT ASSEMBLY	
3	1	21-33765-6	FERRULE, INTERMEDIATE	
2	1	21-33750-3	OUTER CONTACT ASSEMBLY	
1	1	21-33765-5	FERRULE, OUTER	

UNLESS OTHERWISE SPECIFIED	SPECIFICATIONS	PARTS LIST			
LINEAR DIMENSIONS ARE IN INCHES TOLERANCES: .XXXX = ± .0005 .XXX = ± .010 .XX = ± .03 .X = ± .1 ANGLES = ± 2° OTHER STANDARDS PER 9-3800 AND DOD-D-1000 THIRD ANGLE PROJECTION	MATERIAL SPEC.	APPROVALS	DATE	AMPHENOL CORPORATION <small>BENDIX CONNECTOR OPERATIONS SIDNEY, N.Y.</small>	
	N/A	PREPARED	G. LARSON	02-JUL-98	CONTACT, SOCKET, TRIAXIAL, ELECTRICAL CONNECTOR, TYPE LJT-R, SIZE 12
	PROCESS SPEC.	CHECKED	<i>[Signature]</i>	12-10-98	
	SEE NOTE 3		APPROVED	<i>[Signature]</i>	12-10-98
		PROJECT INFORMATION	SIZE	FSCM NO.	DOCUMENT NO.
		21-33908-12.ASSEM	C	77820	21-33908-12
		21-33908-12	SCALE: 10.0	REF: 21-33908-1	SHEET 1 OF 1

FAMCODES DATA3: TBD CICS: TBD

21-33908-12

4

3

2

1