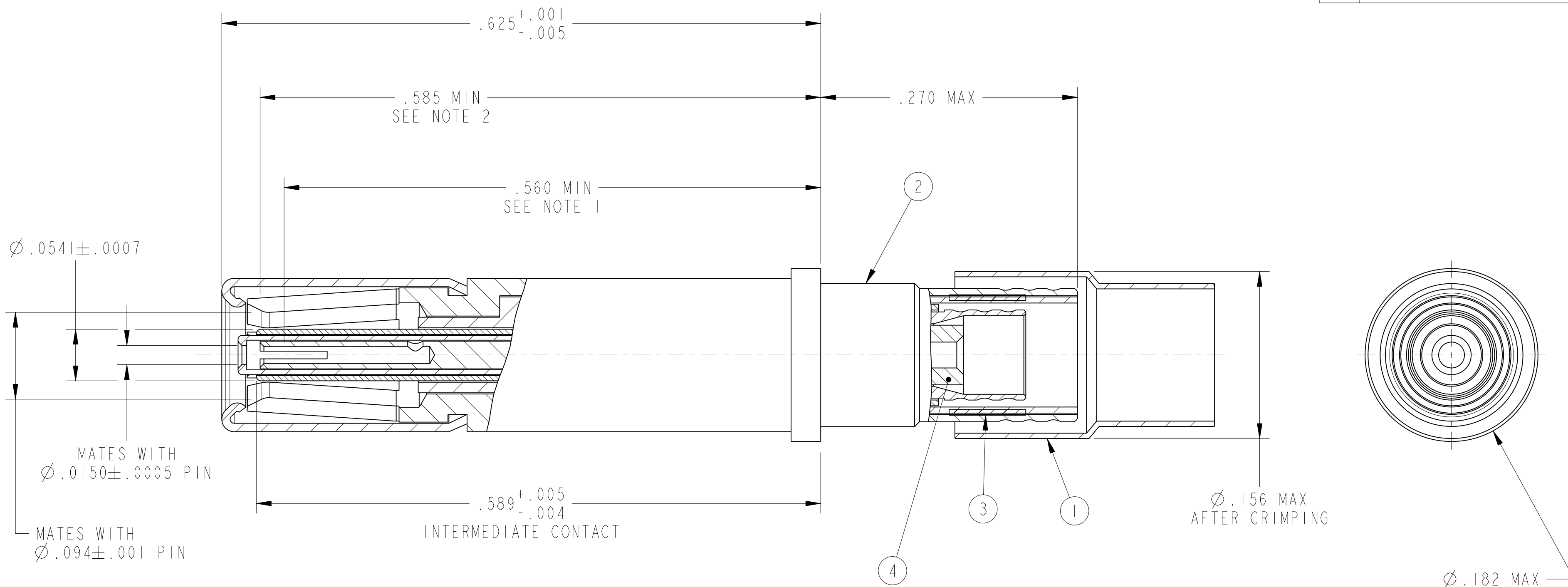


C	SHEET 1 OF 1	21-33908-23
REVISIONS		
LTR	DESCRIPTION	DATE
A	INITIAL RELEASE NUM: 70099-189	-----
B	(CL 11) POS 4 WAS -2 ECN: 95940	V. JONES 3/1/05
C	(CL 11) INACTIVATED ECN: B3105-0000	3/19/13



- 6. MATES WITH TRIAXIAL & TWINAXIAL PIN CONTACTS 21-33909-XX (JN1104*75T INTERFACE)
- 5. THIS CONTACT ACCOMMODATES TRIAXIAL CABLE GSC-03-81497-00 OR EQUIVALENT.
- 4. INDICATED COMPONENT IS NOT ILLUSTRATED. COMPLETE INSTALLATION INSTRUCTIONS PACKAGED WITH EACH ASSEMBLY. PACKAGE PER PRODUCTION PROCESS SHEET.
- 3. PROCESS SPEC:
TEST 9-5272-36
- 2. INDICATED DIMENSION IS FROM THE REAR OF THE OUTER CONTACT SHOULDER TO THE POINT AT WHICH A $\varnothing .0940 \pm .0002$ SQUARE ENDED PIN ENGAGES THE OUTER SOCKET CONTACT SPRING.
- 1. INDICATED DIMENSION IS FROM THE REAR OF THE OUTER CONTACT SHOULDER TO THE POINT AT WHICH A $\varnothing .0150 \pm .0002$ SQUARE ENDED PIN ENGAGES THE INNER SOCKET CONTACT SPRING.

INACTIVATED SUPERSEDED BY 21-033908-033

NOTES:

THE USE OF THIS DOCUMENT IS UNLIMITED. HOWEVER, DOCUMENTS REFERENCED HEREON MAY CONTAIN LIMITED RIGHTS DATA.

N/A
NEXT ASSEMBLY

PRO/ENGINEER INFORMATION
Pro/e Model Used:
21-33908-23.ASSEM
Drawing Name:
21-33908-23

UNLESS OTHERWISE SPECIFIED
LINEAR DIMENSIONS ARE IN INCHES
TOLERANCES:
.XXXX = $\pm .0005$ ANGLES = $\pm 2^\circ$
.XXX = $\pm .010$
.XX = $\pm .03$
.X = $\pm .1$
DIM. & TOL. PER ASME Y14.5M;
DRM PER MIL-DTL-31000;
OTHER Amphenol Stds. PER 9-3800
LEGENDS:
= FLAG NOTE CALL OUT REFERENCE ONLY

SPECIFICATIONS
MATERIAL SPEC.
N/A
PROCESS SPEC.
SEE NOTE 3

POS	QTY	PART NUMBER	DESCRIPTION	NOTE
5	1	21-033637-001	INSTALLATION INSTRUCTION	4
4	1	21-033638-021	INNER CONTACT ASSEMBLY	
3	1	21-033765-066	FERRULE, INTERMEDIATE	
2	1	21-033750-003	OUTER CONTACT ASSEMBLY	
1	1	21-033765-055	FERRULE, OUTER	

APPROVALS		DATE
PREPARED BY	G. LARSON	02-Jul-98
ENGINEER IN CHARGE	RATCHFORD	
DESIGN MANAGER	A. DAVIS	
DESIGN ACTIVITY GROUP	MIL-AERO	
THIRD ANGLE PROJECTION		

PARTS LIST			
AMPHENOL CORPORATION 40-60 DELAWARE AVENUE SIDNEY, N.Y. 13858			
CONTACT, SOCKET, TRIAXIAL, ELECTRICAL CONNECTOR TYPE LJT-R, SIZE 12			
SIZE C	CAGE CODE 77820	DOCUMENT NO. 21-33908-23	REV. C
SCALE: 12:0		REF. 21-33908-12	SHEET 1 OF 1

21-33908-23

SHEET 1 OF 1

REV. C

C

B

A

FORMAT: C-U-E-I

21-33908-23

SHEET 1 OF 1

REV. C

21-33908-23

SHEET 1 OF 1

REV. C

C

B

A

21-33908-23