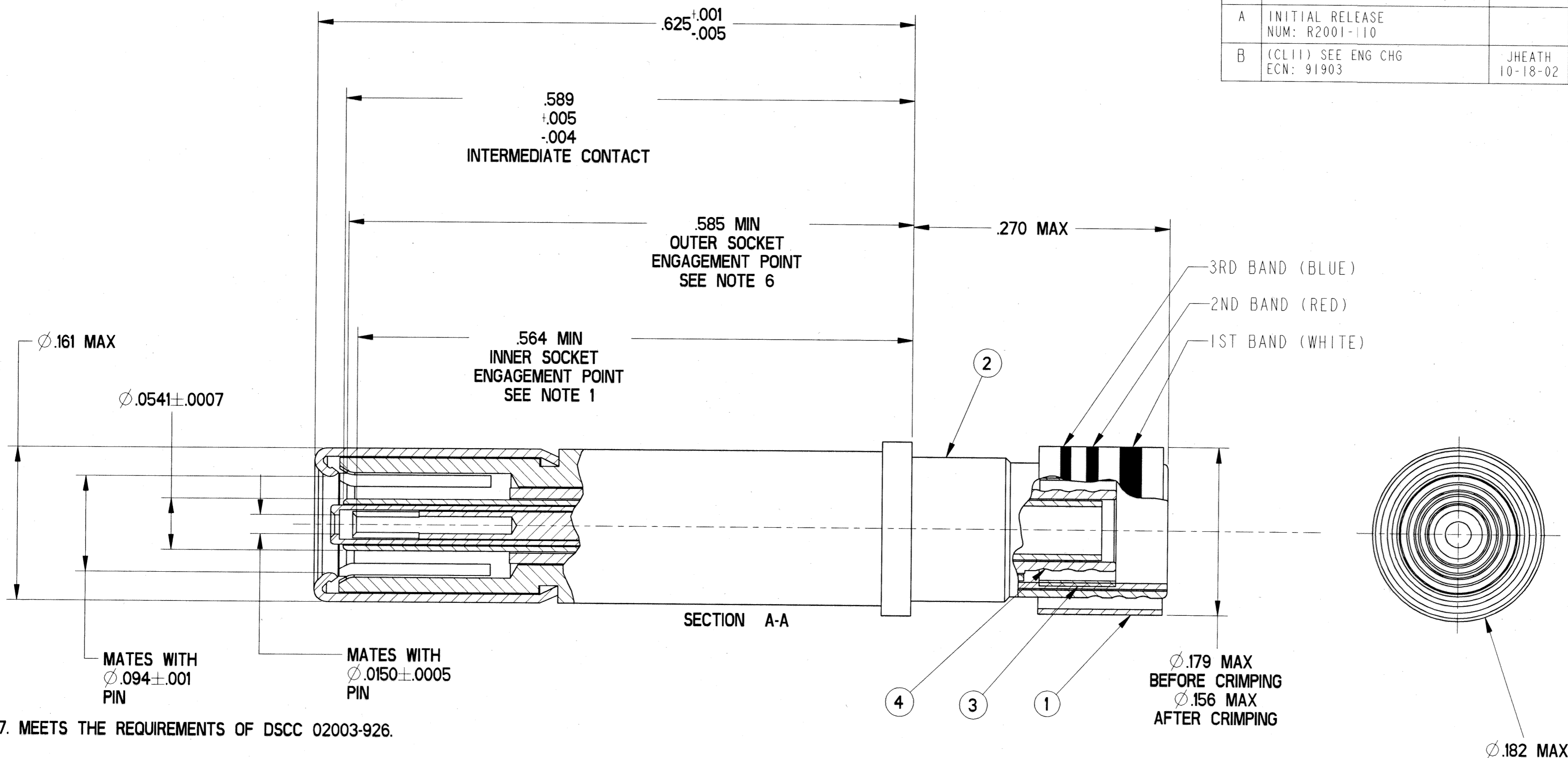


| REVISIONS |                                   |                    |                  |
|-----------|-----------------------------------|--------------------|------------------|
| LTR       | DESCRIPTION                       | DATE               | APPVD            |
| A         | INITIAL RELEASE<br>NUM: R2001-110 |                    |                  |
| B         | (CL11) SEE ENG CHG<br>ECN: 91903  | JHEATH<br>10-18-02 | JHEATH<br>3/3/03 |



7. MEETS THE REQUIREMENTS OF DSCC 02003-926.
6. INDICATED DIMENSION IS FROM THE REAR OF THE OUTER CONTACT SHOULDER TO THE POINT AT WHICH A  $\phi .0940 \pm .0002$  SQUARE ENDED PIN ENGAGES THE OUTER SOCKET CONTACT SPRING.
5. MATES WITH TWINAX & TRIAX PIN CONTACTS 21-33909-XX (JN1104-75T INTERFACE).
4. TERMINATES TWINAX CABLES M17/176-00002 & GSC-12-2549-00 OR EQUIVALENT.
3. INDICATED COMPONENT IS NOT ILLUSTRATED. COMPLETE INSTALLATION INSTRUCTIONS PACKAGED WITH EACH ASSEMBLY. PACKAGE PER PRODUCTION PROCESS SHEET.
2. PROCESS SPEC:  
TEST 9-5272-36
1. INDICATED DIMENSION IS FROM THE REAR OF THE OUTER CONTACT SHOULDER TO THE POINT AT WHICH A  $\phi .0150 \pm .0002$  SQUARE ENDED PIN ENGAGES THE INNER SOCKET CONTACT SPRING.

**NOTES:**

THE USE OF THIS DOCUMENT IS UNLIMITED. HOWEVER, DOCUMENTS REFERENCED HEREON MAY CONTAIN LIMITED RIGHTS DATA.

|               |                  |               |
|---------------|------------------|---------------|
| COMPANY ID: 9 | CODED/MS/CUST: N | N/A           |
| INTERNAL: N   | LOT NO: N        |               |
| DATE CODE: N  | SEE DRAW: N      | N/A           |
| STAMPING DATA |                  | NEXT ASSEMBLY |

| POS | QTY | PART NUMBER | DESCRIPTION               | NOTE |
|-----|-----|-------------|---------------------------|------|
| 5   | 1   | 21-33628-9  | INSTALLATION INSTRUCTIONS | 3    |
| 4   | 1   | 21-33628-71 | INNER CONTACT ASSEMBLY    |      |
| 3   | 1   | 21-33628-51 | FERRULE, INTERMEDIATE     |      |
| 2   | 1   | 21-33750-4  | OUTER CONTACT ASSEMBLY    |      |
| 1   | 1   | 21-33829-2  | FERRULE, OUTER            |      |

| UNLESS OTHERWISE SPECIFIED  | SPECIFICATIONS              | PARTS LIST  |           |                             |              |
|---|-----------------------------|---|-----------|-----------------------------|--------------|
| LINEAR DIMENSIONS ARE IN INCHES<br>TOLERANCES:<br>.XXXX = $\pm .0005$<br>.XXX = $\pm .010$<br>.XX = $\pm .03$<br>.X = $\pm .1$<br>ANGLES = $\pm 2^\circ$<br>OTHER STANDARDS PER 9-3800 AND DOD-D-1000<br>THIRD ANGLE PROJECTION | MATERIAL SPEC.<br>N/A       | <b>AMPHENOL CORPORATION</b><br><small>SIDNEY, N.Y. 13838</small><br><b>CONTACT, SOCKET, TWINAX, ELECTRICAL CONNECTOR, TYPE LJT-R, SIZE 12</b> |           |                             |              |
|   | PROCESS SPEC.<br>SEE NOTE 2 | APPROVALS   | DATE      | SIZE                        | FSCM NO.     |
|   |                             | PREPARED RATCHFORD  | 07-Dec-00 | C                           | 77820        |
|   |                             | CHECKED RATCHFORD   | 10-Apr-01 |                             |              |
|   |                             | MATERIAL N/A RATCHFORD  | 10-Apr-01 |                             |              |
|   |                             | APPROVED RATCHFORD  | 10-Apr-01 |                             |              |
|   |                             | APPROVED RATCHFORD  | 10-Apr-01 |                             |              |
|   |                             | PRO/ENG INFORMATION<br>TW_SKT_ASY_25_STD_ASSEM<br>21-33908-25_STD_REV B   |           | DOCUMENT NO.<br>21-33908-25 | REV.<br>B    |
|   |                             | SCALE: 12.0   |           | REF: 21-33908-12            | SHEET 1 OF 1 |

FAMCODES DATA3: FALSE CICS: FALSE

21-33908-25

A