

|           |                 |                            |
|-----------|-----------------|----------------------------|
| REV. A    | SHEET 1 OF 1    | DOCUMENT NO. 21-033908-033 |
| REVISIONS |                 |                            |
| LTR       | DESCRIPTION     | DATE                       |
| A         | INITIAL RELEASE |                            |

21-033908-033

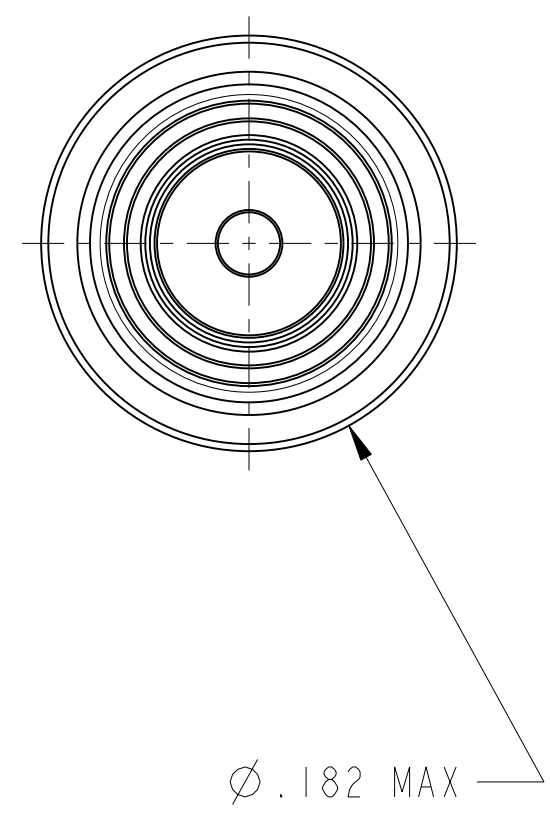
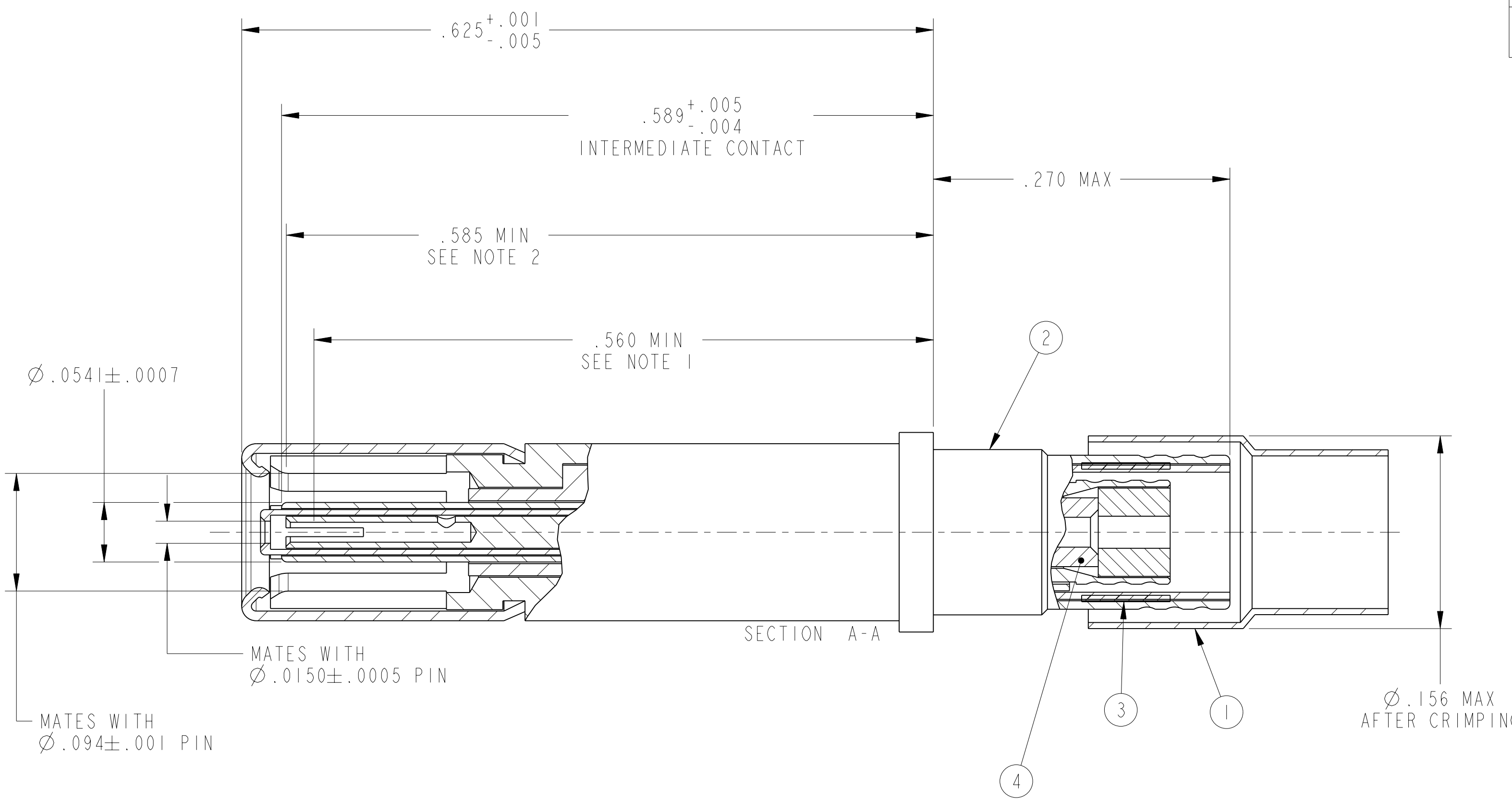
SHEET 1 OF 1

REV. A

C

B

A



7. INDICATED COMPONENT NOT ILLUSTRATED. INSTALLATION INSTRUCTIONS PACKAGED WITH EACH ASSEMBLY.
6. MATES WITH TRIAXIAL & TWINAXIAL PIN CONTACTS 21-33909-XX (JN1104\*75T INTERFACE)
5. THIS CONTACT ACCOMMODATES TRIAXIAL CABLE GSC-03-81497-00 OR EQUIVALENT.
4. DRAWING ILLUSTRATES FINAL ASSEMBLY. COMPONENTS ARE SHIPPED LOOSE IN A VIAL. PACKAGE PER PRODUCTION PROCESS SHEET.
3. PROCESS SPEC:  
TEST 9-5272-36
2. INDICATED DIMENSION IS FROM THE REAR OF THE OUTER CONTACT SHOULDER TO THE POINT AT WHICH A Ø.0940 ±.0002 SQUARE ENDED PIN ENGAGES THE OUTER SOCKET CONTACT SPRING.
1. INDICATED DIMENSION IS FROM THE REAR OF THE OUTER CONTACT SHOULDER TO THE POINT AT WHICH A Ø.0150 ±.0002 SQUARE ENDED PIN ENGAGES THE INNER SOCKET CONTACT SPRING.

**NOTES:**

THE USE OF THIS DOCUMENT IS UNLIMITED. HOWEVER, DOCUMENTS REFERENCED HEREON MAY CONTAIN LIMITED RIGHTS DATA.

RELEASED / Oct. 13 2005, 01:38 PM

DOCUMENT NO. 21-033908-033 SHEET 1 OF 1 REV. A

|               |  |
|---------------|--|
| N/A           | PRO/ENGINEER INFORMATION   |
| NEXT ASSEMBLY | Pro/e Model Used:<br>21-033908-033.ASSEM<br>Drawing Name:<br>21-033908-033 |

|  |                             |
|--|-----------------------------|
| UNLESS OTHERWISE SPECIFIED   | SPECIFICATIONS              |
| LINEAR DIMENSIONS ARE IN INCHES<br>TOLERANCES:<br>.XXXX = ±.0005 ANGLES= ±2°<br>.XXX = ±.010<br>.XX = ±.03<br>.X = ±.1 | MATERIAL SPEC.<br>N/A       |
| DIM. & TOL. PER ASME Y14.5M;<br>DRM PER MIL-DTL-31000;<br>OTHER Amphenol Stds. PER 9-3800                              | PROCESS SPEC.<br>SEE NOTE 3 |
| LEGENDS:<br>= FLAG NOTE CALL OUT REFERENCE ONLY  |                             |

| POS | QTY | PART NUMBER   | DESCRIPTION              | NOTE |
|-----|-----|---------------|--------------------------|------|
| 5   | 1   | L-1256-P      | INSTALLATION INSTRUCTION | 7    |
| 4   | 1   | 21-033638-041 | INNER CONTACT ASSEMBLY   |      |
| 3   | 1   | 21-033765-066 | FERRULE, INTERMEDIATE    |      |
| 2   | 1   | 21-033750-003 | OUTER CONTACT ASSEMBLY   |      |
| 1   | 1   | 21-033765-055 | FERRULE, OUTER           |      |

|                        |           |           |  |                 |
|------------------------|-----------|-----------|--|-----------------|
| APPROVALS              |           | DATE      | PARTS LIST   |                 |
| PREPARED BY            | RATCHFORD | 21-Jun-05 | <b>AMPHENOL CORPORATION</b><br>40-60 DELAWARE AVENUE<br>SIDNEY, N.Y. 13858         |                 |
| ENGINEER IN CHARGE     | RATCHFORD |           |  |                 |
| DESIGN MANAGER         | A. DAVIS  |           | <b>CONTACT, SOCKET, TRIAXIAL,<br/>ELECTRICAL CONNECTOR<br/>TYPE LJT-R, SIZE 12</b> |                 |
| DESIGN ACTIVITY GROUP  | MIL-AERO  |           |  |                 |
| THIRD ANGLE PROJECTION |           |           | SIZE C   | CAGE CODE 77820 |
|                        |           |           | DOCUMENT NO. 21-033908-033   | REV. A          |
| SCALE: 12.0            |           |           | REF. 21-33908-23   | SHEET 1 OF 1    |

21-033908-033

SHEET 1 OF 1

REV. A

C

B

A

21-033908-033