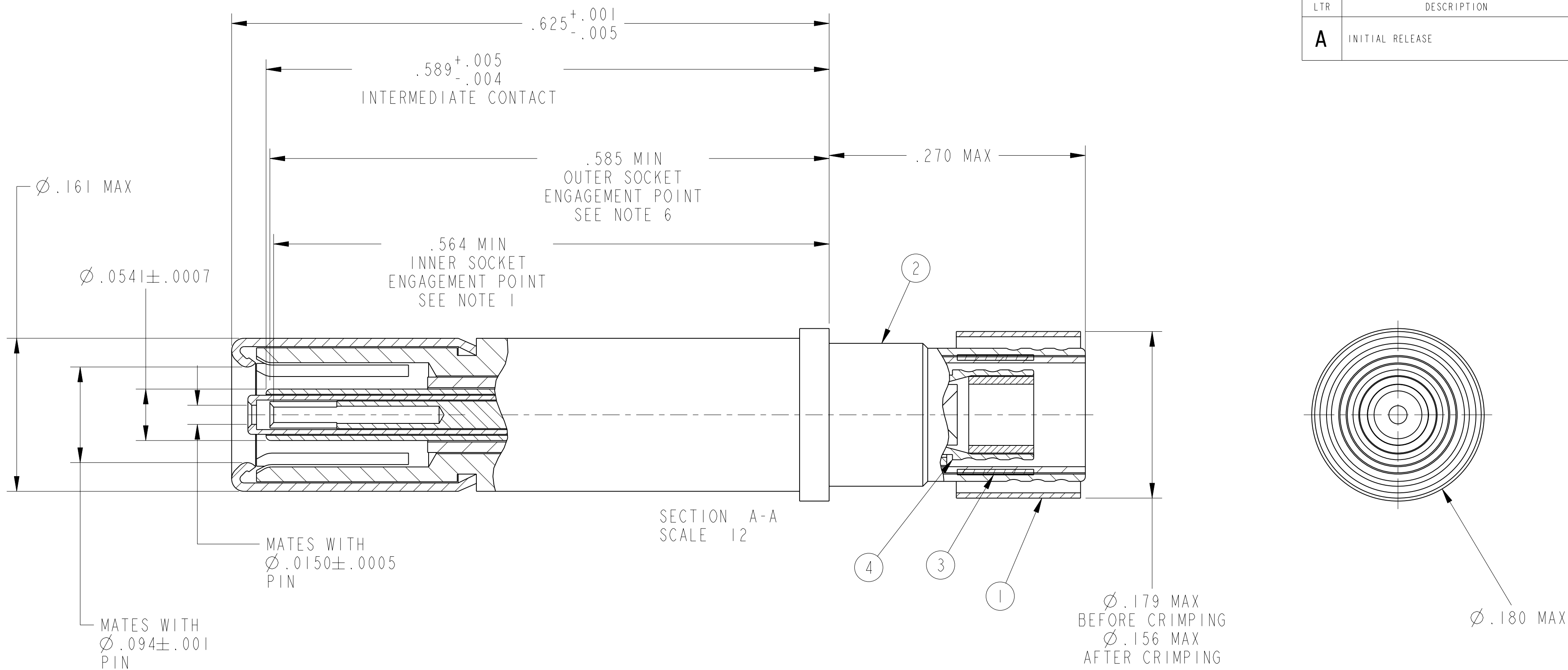


REV. A		SHEET 1 OF 1		DOCUMENT NO. 21-033908-071	
REVISIONS					
LTR	DESCRIPTION			DATE	
A	INITIAL RELEASE				



6. INDICATED DIMENSION IS FROM THE REAR OF THE OUTER CONTACT SHOULDER TO THE POINT AT WHICH A $\phi .0940 \pm .0002$ SQUARE ENDED PIN ENGAGES THE OUTER SOCKET CONTACT SPRING.
5. MATES WITH TWINAX & TRIAX PIN CONTACTS 21-33909-() & 21-33633-() (JN1104 INTERFACE).
4. TERMINATES HARBOUR TRIAX CABLE TRX179 OR EQUIVALENT.
3. INDICATED COMPONENT IS NOT ILLUSTRATED. COMPLETE INSTALLATION INSTRUCTIONS PACKAGED WITH EACH ASSEMBLY. PACKAGE PER PRODUCTION PROCESS SHEET.
2. PROCESS SPEC:
TEST 9-5272-36
1. INDICATED DIMENSION IS FROM THE REAR OF THE OUTER CONTACT SHOULDER TO THE POINT AT WHICH A $\phi .0150 \pm .0002$ SQUARE ENDED PIN ENGAGES THE INNER SOCKET CONTACT SPRING.

NOTES:

THE USE OF THIS DOCUMENT IS UNLIMITED. HOWEVER, DOCUMENTS REFERENCED HEREON MAY CONTAIN LIMITED RIGHTS DATA.

N/A
NEXT ASSEMBLY

PRO/ENGINEER INFORMATION
 Pro/e Model Used:
 21-033908-071.ASSEM
 Drawing Name:
 21-033908-071

UNLESS OTHERWISE SPECIFIED

LINEAR DIMENSIONS ARE IN INCHES
 TOLERANCES:
 .XXXX = $\pm .0005$ ANGLES = $\pm 2^\circ$
 .XXX = $\pm .010$
 .XX = $\pm .03$
 .X = $\pm .1$

DIM. & TOL. PER ASME Y14.5M;
 DRM PER MIL-DTL-31000;
 OTHER Amphenol Stds. PER 9-3800
 LEGENDS:
 = FLAG NOTE CALL OUT REFERENCE ONLY

SPECIFICATIONS

MATERIAL SPEC.
N/A

PROCESS SPEC.

SEE NOTE 2

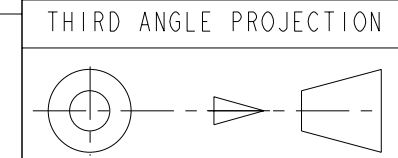
POS	QTY	PART NUMBER	DESCRIPTION	NOTE
5	1	L-1256-AA	INSTALLATION INSTRUCTIONS	3
4	1	21-033603-711	INNER CONTACT ASSEMBLY	
3	1	21-033765-066	FERRULE, INTERMEDIATE	
2	1	21-033750-004	OUTER CONTACT ASSEMBLY	
1	1	21-033765-551	FERRULE, OUTER	

PARTS LIST

APPROVALS	DATE
PREPARED BY: DJSMITH	21-Nov-06
ENGINEER IN CHARGE: LRATCHFORD	
DESIGN MANAGER: HJOHNSON	
DESIGN ACTIVITY GROUP: MIL AERO DEVELOP	

AMPHENOL CORPORATION
 40-60 DELAWARE AVENUE
 SIDNEY, N.Y. 13858

**CONTACT, SOCKET, TRIAX,
 ELECTRICAL CONNECTOR,
 TYPE LJT-R, SIZE 12**



SIZE C	CAGE CODE 77820	DOCUMENT NO. 21-033908-071	REV. A
SCALE: 4.0		REF. 21-33908-28	SHEET 1 OF 1

RELEASED / Nov. 29 2006, 04:15 PM

DOCUMENT NO. 21-033908-071

SHEET 1 OF 1

REV. A