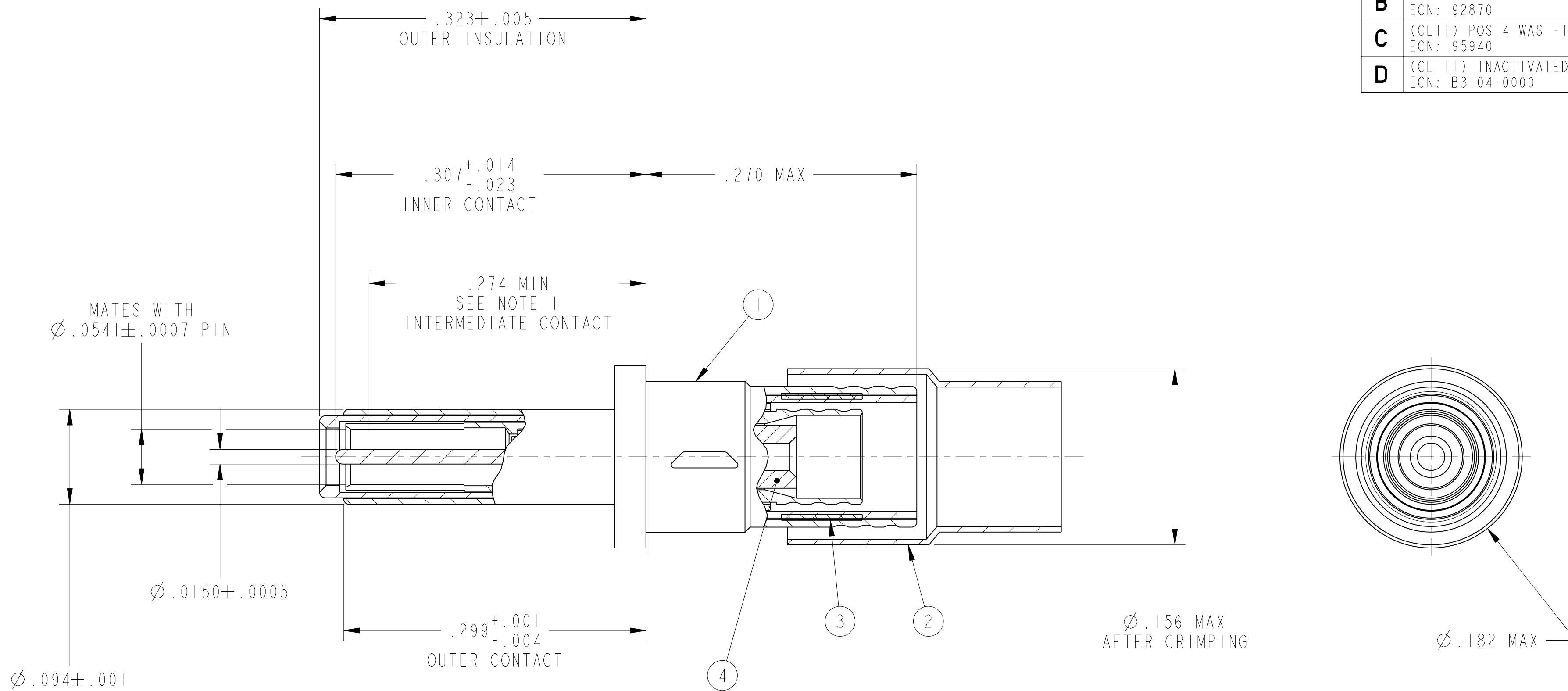


D REV		SHEET 1 OF 1		21-33909-23	
REVISIONS					
LTR	DESCRIPTION			DATE	
A	INITIAL RELEASE NUM: 70099-189			-----	
B	(CL11) POS 1 WAS 21-33751-3 ECN: 92870			V. JONES 5-21-03	
C	(CL11) POS 4 WAS -1 ECN: 95940			V. JONES 3-1-05	
D	(CL 11) INACTIVATED ECN: B3104-0000			3/15/13	



5. MATES WITH TRIAXIAL & TWINAXIAL SOCKET CONTACTS 21-33908-XX (JN1104\*75T INTERFACE)
4. THIS CONTACT ACCOMMODATES TRIAXIAL CABLE GSC-03-81497-00 OR EQUIVALENT.
3. INDICATED COMPONENT IS NOT ILLUSTRATED. COMPLETE INSTALLATION INSTRUCTIONS PACKAGED WITH EACH ASSEMBLY. PACKAGE PER PRODUCTION PROCESS SHEET.
2. PROCESS SPEC:  
TEST 9-5272-36
1. INDICATED DIMENSION IS FROM THE REAR OF THE OUTER CONTACT SHOULDER TO THE POINT AT WHICH A Ø.0541 ± .0002 SQUARE ENDED PIN ENGAGES THE INTERMEDIATE SOCKET CONTACT SPRING.

**INACTIVATED SUPERSEDED BY 21-033909-033**

**NOTES:**

THE USE OF THIS DOCUMENT IS UNLIMITED. HOWEVER, DOCUMENTS REFERENCED HEREON MAY CONTAIN LIMITED RIGHTS DATA.

N/A  
NEXT ASSEMBLY

PRO/ENGINEER INFORMATION  
Pro/e Model Used:  
21-33909-23.ASSEM  
Drawing Name:  
21-33909-23

UNLESS OTHERWISE SPECIFIED  
SPECIFICATIONS  
LINEAR DIMENSIONS ARE IN INCHES  
TOLERANCES:  
.XXXX = ±.0005 ANGLES= ±2°  
.XXX = ±.010  
.XX = ±.03  
.X = ±.1  
DIM. & TOL. PER ASME Y14.5M;  
DRM PER MIL-DTL-31000;  
OTHER Amphenol Stds. PER 9-3800  
LEGENDS:  
=FLAG NOTE CALL OUT  
REFERENCE ONLY

MATERIAL SPEC.  
N/A  
PROCESS SPEC.  
SEE NOTE 2

POS	QTY	PART NUMBER	DESCRIPTION	NOTE
5	1	21-033637-001	INSTALLATION INSTRUCTIONS	3
4	1	21-033638-011	INNER CONTACT ASSEMBLY	
3	1	21-033765-066	FERRULE, INTERMEDIATE	
2	1	21-033765-055	FERRULE, OUTER	
1	1	21-033845-001	OUTER CONTACT ASSEMBLY	

APPROVALS		DATE
PREPARED BY	G. LARSON	02-Jul-98
ENGINEER IN CHARGE	RATCHFORD	
DESIGN MANAGER	A. DAVIS	
DESIGN ACTIVITY GROUP	MIL-AERO	

**AMPHENOL CORPORATION**  
40-60 DELAWARE AVENUE  
SIDNEY, N.Y. 13858

**CONTACT, PIN, TRIAXIAL,  
ELECTRICAL CONNECTOR,  
TYPE LJT-R, SIZE 12**

SIZE <b>C</b>	CAGE CODE <b>77820</b>	DOCUMENT NO. <b>21-33909-23</b>	REV. <b>D</b>
SCALE: 12:0		REF. 21-33909-12	SHEET 1 OF 1

21-33909-23

SHEET 1 OF 1

D REV

C

B

A

FORMAT: C-U-E-I

21-33909-23

SHEET 1 OF 1

D REV

RELEASE STATE  
Released

SHEET 1 OF 1

21-33909-23