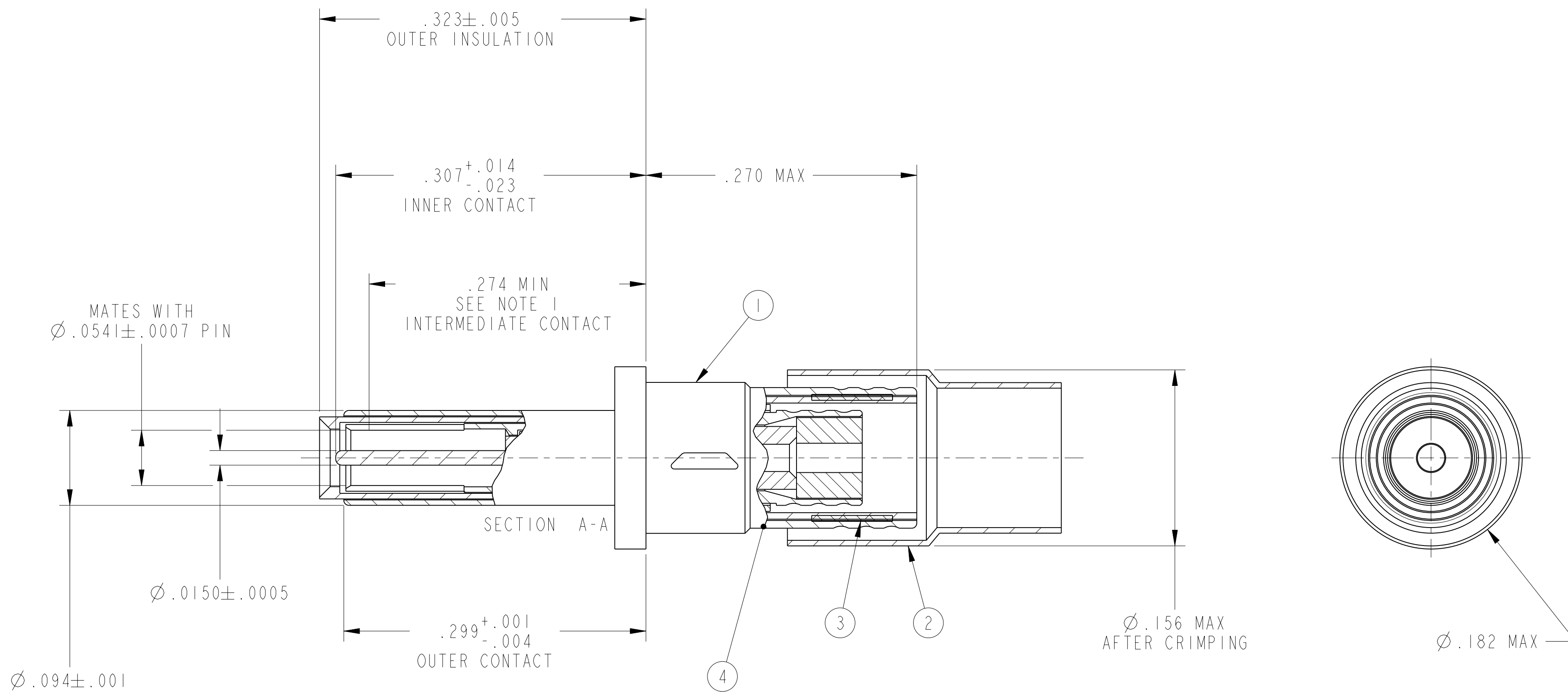


REV. A	SHEET 1 OF 1	DOCUMENT NO. 21-033909-033
REVISIONS		
LTR	DESCRIPTION	DATE
A	INITIAL RELEASE	



- INDICATED DIMENSION IS FROM THE REAR OF THE OUTER CONTACT SHOULDER TO THE POINT AT WHICH A $\phi .0541 \pm .0002$ SQUARE ENDED PIN ENGAGES THE INTERMEDIATE SOCKET CONTACT SPRING.
- PROCESS SPEC:
TEST 9-5272-36
- DRAWING ILLUSTRATES FINAL ASSEMBLY. COMPONENTS ARE SHIPPED LOOSE IN A VIAL. PACKAGE PER PRODUCTION PROCESS SHEET.
- THIS CONTACT ACCOMMODATES TRIAXIAL CABLE GSC-03-81497-00 OR EQUIVALENT.
- MATES WITH TRIAXIAL & TWINAXIAL SOCKET CONTACTS 21-33908-XX (JN1104*75T INTERFACE)
- INDICATED COMPONENT NOT ILLUSTRATED. INSTALLATION INSTRUCTIONS PACKAGED WITH EACH ASSEMBLY.

NOTES:

THE USE OF THIS DOCUMENT IS UNLIMITED. HOWEVER, DOCUMENTS REFERENCED HEREON MAY CONTAIN LIMITED RIGHTS DATA.

RELEASED / Oct. 13 2005, 01:43 PM

DOCUMENT NO. 21-033909-033 SHEET 1 OF 1 REV. A

PRO/ENGINEER INFORMATION

Pro/e Model Used: 21-033909-033.ASSEM

Drawing Name: 21-033909-033

UNLESS OTHERWISE SPECIFIED	SPECIFICATIONS
LINEAR DIMENSIONS ARE IN INCHES TOLERANCES: .XXXX = $\pm .0005$ ANGLES = $\pm 2^\circ$.XXX = $\pm .010$.XX = $\pm .03$.X = $\pm .1$	MATERIAL SPEC. N/A
DIM. & TOL. PER ASME Y14.5M; DRM PER MIL-DTL-31000; OTHER Amphenol Stds. PER 9-3800	PROCESS SPEC. SEE NOTE 2
LEGENDS: = FLAG NOTE CALL OUT REFERENCE ONLY	

POS	QTY	PART NUMBER	DESCRIPTION	NOTE
5	1	L-1256-P	INSTALLATION INSTRUCTIONS	6
4	1	21-033638-031	INNER CONTACT ASSEMBLY	
3	1	21-033765-066	FERRULE, INTERMEDIATE	
2	1	21-033765-055	FERRULE, OUTER	
1	1	21-033845-001	OUTER CONTACT ASSEMBLY	

APPROVALS		DATE	PARTS LIST	
PREPARED BY	G. LARSON	21-Jun-05	AMPHENOL CORPORATION 40-60 DELAWARE AVENUE SIDNEY, N.Y. 13858	
ENGINEER IN CHARGE	RATCHFORD			
DESIGN MANAGER	A. DAVIS		CONTACT, SOCKET, TRIAXIAL, ELECTRICAL CONNECTOR, TYPE LJT-R, SIZE 12	
DESIGN ACTIVITY GROUP	MIL-AERO			
THIRD ANGLE PROJECTION			SIZE C	CAGE CODE 77820
			DOCUMENT NO. 21-033909-033	REV. A
			SCALE: 12.0	SHEET 1 OF 1

21-033909-033

SHEET 1 OF 1

REV. A

C

B

A

RELEASED

21-033909-033

21-033909-033

SHEET 1 OF 1

REV. A

C

B

A

RELEASED

21-033909-033