

REV. A	SHEET 1 OF 1	DOCUMENT NO. 21-033909-071
REVISIONS		
LTR	DESCRIPTION	DATE
A	INITIAL RELEASE	

21-033909-071

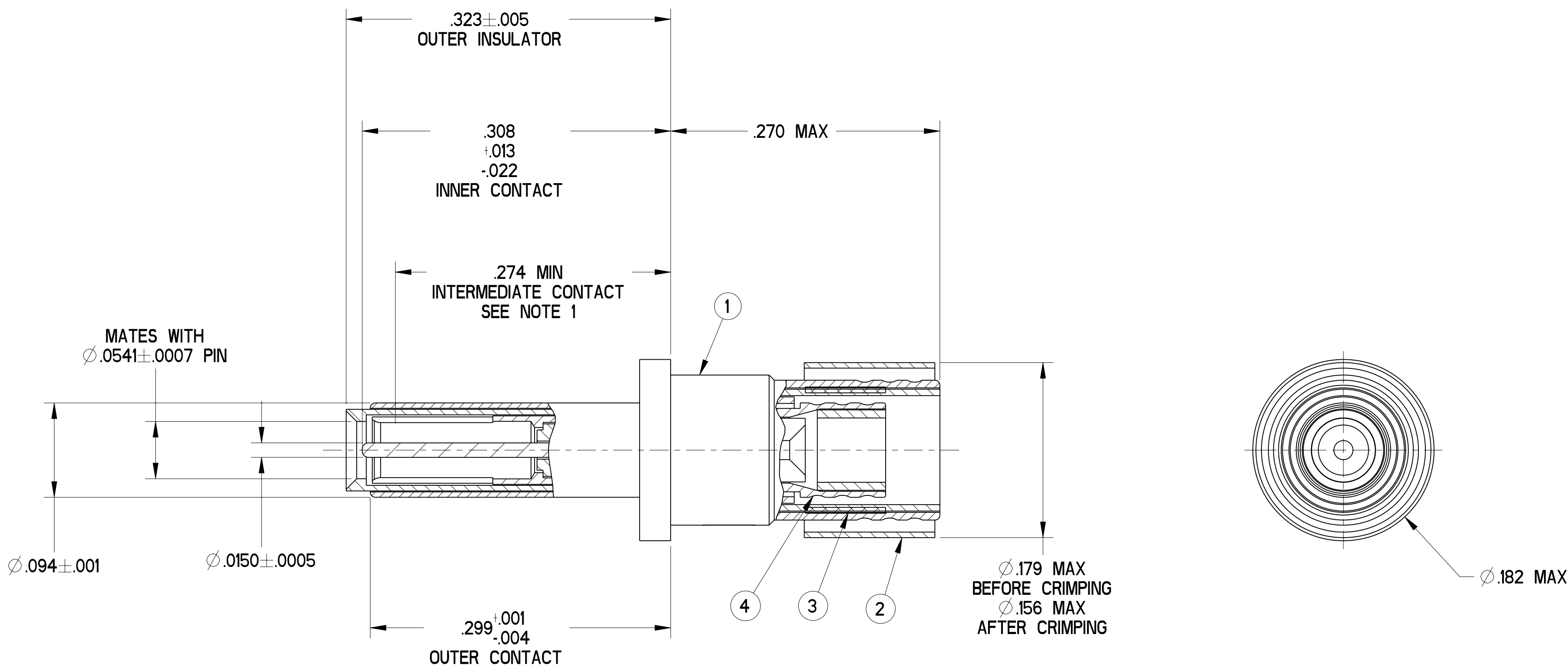
SHEET 1 OF 1

REV. A

C

B

A



5. MATES WITH TWINAX & TRIAX SOCKET CONTACTS 21-033908-XXX (JN1104*75T INTERFACE).
4. TERMINATES HARBOUR TRIAX CABLE TRX179 OR EQUIVALENT.
3. INDICATED COMPONENT IS NOT ILLUSTRATED. COMPLETE INSTALLATION INSTRUCTIONS PACKAGED WITH EACH ASSEMBLY. PACKAGE PER PRODUCTION PROCESS SHEET.
2. PROCESS SPEC:
TEST 9-5272-36
1. INDICATED DIMENSION IS FROM THE REAR OF THE OUTER CONTACT SHOULDER TO THE POINT AT WHICH A Ø.0541±.0002 SQUARE ENDED PIN ENGAGES THE INTERMEDIATE SOCKET CONTACT SPRING.

NOTES:

THE USE OF THIS DOCUMENT IS UNLIMITED. HOWEVER, DOCUMENTS REFERENCED HEREON MAY CONTAIN LIMITED RIGHTS DATA.

N/A

NEXT ASSEMBLY

PRO/ENGINEER INFORMATION

Pro/e Model Used:
21-033909-071.ASSEM
Drawing Name:
21-033909-071

UNLESS OTHERWISE SPECIFIED

LINEAR DIMENSIONS ARE IN INCHES
TOLERANCES:
.XXXX = ±.0005 ANGLES= ±2°
.XXX = ±.010
.XX = ±.03
.X = ±.1

DIM. & TOL. PER ASME Y14.5M;
DRM PER MIL-DTL-31000;
OTHER Amphenol Stds. PER 9-3800
LEGENDS:
=FLAG NOTE CALL OUT REFERENCE ONLY

SPECIFICATIONS

MATERIAL SPEC.
N/A

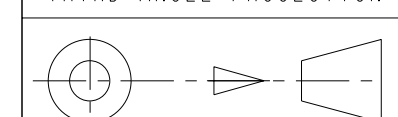
PROCESS SPEC.

SEE NOTE 2

POS	QTY	PART NUMBER	DESCRIPTION	NOTE
5	1	L-1256-AA	INSTALLATION INSTRUCTIONS	3
4	1	21-033603-721	INNER CONTACT ASSEMBLY	
3	1	21-033765-066	FERRULE, INTERMEDIATE	
2	1	21-033765-551	FERRULE, OUTER	
1	1	21-033751-004	OUTER CONTACT ASSEMBLY	

APPROVALS	DATE
PREPARED BY: LRATCHFORD	15-0c1-08
ENGINEER IN CHARGE: LRATCHFORD	
DESIGN MANAGER: HJOHNSON	
DESIGN ACTIVITY GROUP: MIL-AERO-DEVELOP	

THIRD ANGLE PROJECTION



AMPHENOL CORPORATION
40-60 DELAWARE AVENUE
SIDNEY, N.Y. 13858

**CONTACT, PIN, TRIAX
ELECTRICAL CONNECTOR,
TYPE LJT-R, SIZE 12**

SIZE C	CAGE CODE 77820	DOCUMENT NO. 21-033909-071	REV. A
SCALE: 12.0		REF. 21-33909-28	SHEET 1 OF 1

VERSION 0

REVISION A

RELEASE STATE WIP

REV. A

SHEET 1 OF 1

21-033909-071

FORMAT: C-U-E-I

RELEASED / Oct. 17 2008, 11:17 AM

DOCUMENT NO. 21-033909-071

SHEET 1 OF 1

REV. A