

REV. A	SHEET 1 OF 1	DOCUMENT NO. 160-606330-12 21-033909-091
REVISIONS		
LTR	DESCRIPTION	DATE
A	INITIAL RELEASE	

21-033909-091

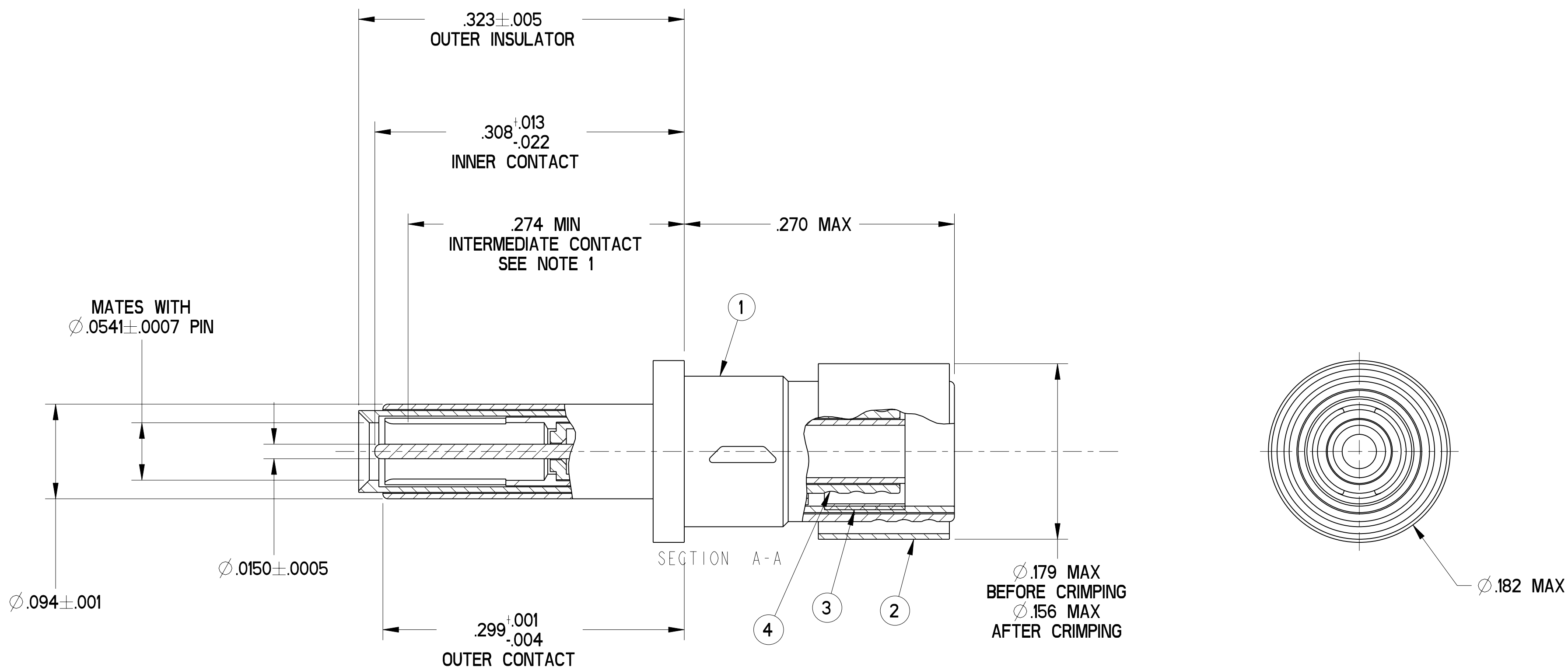
SHEET 1 OF 1

REV. A

C

B

A



- 6. MEETS THE REQUIREMENTS OF DSCC 02004-936.
- 5. MATES WITH TWINAX & TRIAX SOCKET CONTACTS 21-33908-XX (JN1104-75T INTERFACE).
- 4. TERMINATES TWINAX CABLE VG95218T023D002 OR EQUIVALENT.
- 3. INDICATED COMPONENT IS NOT ILLUSTRATED. COMPLETE INSTALLATION INSTRUCTIONS PACKAGED WITH EACH ASSEMBLY. PACKAGE PER PRODUCTION PROCESS SHEET.
- 2. PROCESS SPEC:
TEST 9-5272-36
- 1. INDICATED DIMENSION IS FROM THE REAR OF THE OUTER CONTACT SHOULDER TO THE POINT AT WHICH A Ø.0541±.0002 SQUARE ENDED PIN ENGAGES THE INTERMEDIATE SOCKET CONTACT SPRING.

NOTES:

THE USE OF THIS DOCUMENT IS UNLIMITED. HOWEVER, DOCUMENTS REFERENCED HEREON MAY CONTAIN LIMITED RIGHTS DATA.

N/A
NEXT ASSEMBLY

PRO/ENGINEER INFORMATION
 Pro/e Model Used:
 21-033909-091.ASSEM
 Drawing Name:
 21-033909-091

UNLESS OTHERWISE SPECIFIED	SPECIFICATIONS
LINEAR DIMENSIONS ARE IN INCHES TOLERANCES: .XXXX = ±.0005 ANGLES= ±2° .XXX = ±.010 .XX = ±.03 .X = ±.1	MATERIAL SPEC. N/A
DIM. & TOL. PER ASME Y14.5M; DRM PER MIL-DTL-31000; OTHER Amphenol Stds. PER 9-3800	PROCESS SPEC. SEE NOTE 2
LEGENDS: = FLAG NOTE CALL OUT REFERENCE ONLY	

POS	QTY	PART NUMBER	DESCRIPTION	NOTE
5	1	L-2092-AC	INSTALLATION INSTRUCTIONS	3
4	1	21-033628-091	INNER CONTACT ASSEMBLY	
3	1	21-033628-051	FERRULE, INTERMEDIATE	
2	1	21-033765-551	FERRULE, OUTER	
1	1	21-033751-005	OUTER CONTACT ASSEMBLY	

APPROVALS		DATE	PARTS LIST	
PREPARED BY	DJSMITH	13-Mar-07	AMPHENOL CORPORATION 40-60 DELAWARE AVENUE SIDNEY, N.Y. 13858	
ENGINEER IN CHARGE	LRATCHFORD			
DESIGN MANAGER	HJOHNSON		CONTACT, PIN, TWINAX, ELECTRICAL CONNECTOR, TYPE JT-R, SIZE 12	
DESIGN ACTIVITY GROUP	MIL AERO DEVELOP		SIZE C CAGE CODE 77820 SCALE: 12.0	DOCUMENT NO. 21-033909-091 REF. 21-33909-25 SHEET 1 OF 1

FORMAT: C-U-E-I

RELEASED / Oct. 19 2007, 09:06 AM

DOCUMENT NO. 21-033909-091

SHEET 1 OF 1

REV. A

21-033909-091

SHEET 1 OF 1

REV. A

C

B

A

21-033909-091