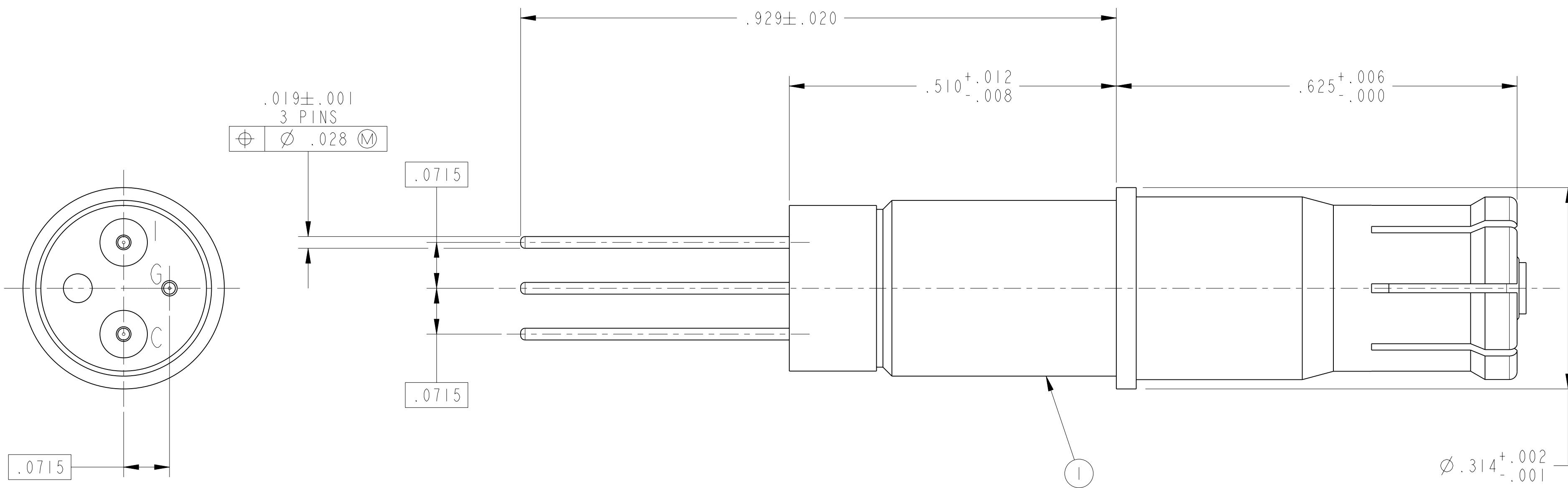


REV. A	SHEET 1 OF 1	21-033921-075
REVISIONS		
LTR	DESCRIPTION	DATE
A	INITIAL RELEASE	

I = INTERMEDIATE CONTACT  
 G = OUTER CONTACT  
 C = CENTER CONTACT



7. CLEANING OF PARTS IN CHLORINATED SOLVENTS IS NOT PERMISSIBLE.
6. A TEST VOLTAGE OF 500 VOLTS AC RMS SHALL BE APPLIED BETWEEN THE CENTER CONTACT (C) AND THE INTERMEDIATE CONTACT (I) AND BETWEEN THE INTERMEDIATE CONTACT (I) AND THE OUTER CONTACT (G). THE VOLTAGE SHALL BE APPLIED FOR 5 SECONDS MINIMUM. THE LEAKAGE CURRENT SHALL NOT EXCEED 1 MILLIAMPERE. THERE SHALL BE NO EVIDENCE OF BREAKDOWN OR FLASHOVER.
5. WHILE FULLY MATED WITH A 21-33190-529 TWINAX PIN CONTACT, A TEST VOLTAGE OF 1.5 VOLTS DC SHALL BE APPLIED BETWEEN THE PCB TAIL OF THE SOCKET CONTACT AND A POINT 3.500±.100 FROM THE REAR OF THE PIN CONTACT (PIN CONTACT TERMINATED WITH M17/176-00002 TWINAX CABLE). THE MAXIMUM VOLTAGE DROP SHALL BE 30 MILLIVOLTS WITH A TEST CURRENT OF 1 AMP. ALL PCB TAILS MUST BE 100% CHECKED FOR THIS REQUIREMENT.
4. CAUTION: HANDLE ASSEMBLY CAREFULLY TO PREVENT MISALIGNMENT OF PIN CONTACT TAILS.
3. MATES WITH ANY SIZE 8 CONCENTRIC TWINAX PIN CONTACT IN PART NUMBER SERIES 21-33190-().
2. DRAWING ILLUSTRATES FINAL ASSEMBLY, PACKAGE PER PRODUCTION PROCESS SHEET (SEE NOTE 4).
1. PROCESS SPEC:  
 TEST 9-5275-30, ELECTRICAL TEST PER NOTES 5 & 6.

NOTES:

THE USE OF THIS DOCUMENT IS UNLIMITED. HOWEVER, DOCUMENTS REFERENCED HEREON MAY CONTAIN LIMITED RIGHTS DATA.

N/A  
 NEXT ASSEMBLY

PRO/ENGINEER INFORMATION  
 Pro/e Model Used:  
 21-033921-075.ASSEM  
 Drawing Name:  
 21-033921-075

UNLESS OTHERWISE SPECIFIED  
 SPECIFICATIONS  
 LINEAR DIMENSIONS ARE IN INCHES  
 TOLERANCES:  
 .XXXX = ±.0005 ANGLES= ±2°  
 .XXX = ±.010  
 .XX = ±.03  
 .X = ±.1  
 DIM. & TOL. PER ASME Y14.5M;  
 DRG PER MIL-DTL-31000;  
 OTHER Amphenol Stds. PER 9-3800  
 LEGENDS:  
 =FLAG NOTE CALL OUT REFERENCE ONLY

MATERIAL SPEC.  
 N/A  
 PROCESS SPEC.  
 SEE NOTE 1

I	I	21-033921-75M	CONTACT ASSEMBLY	
POS	QTY	PART NUMBER	DESCRIPTION	NOTE
PARTS LIST				
<b>AMPHENOL CORPORATION</b> 40-60 DELAWARE AVENUE SIDNEY, N.Y. 13858 <b>CONTACT, SOCKET,          CONCENTRIC TWINAX,          SIZE 8 PCB STYLE TERMINATION</b>				
APPROVALS	DATE			
PREPARED BY RATCHFORD				
ENGINEER IN CHARGE RATCHFORD	19-01-05			
DESIGN MANAGER A. DAVIS				
DESIGN ACTIVITY GROUP MIL-AERO				
THIRD ANGLE PROJECTION				
SIZE C	CAGE CODE 77820	DOCUMENT NO. 21-033921-075	REV. A	
SCALE: 8.0	REF. 21-33921-65	SHEET 1 OF 1		