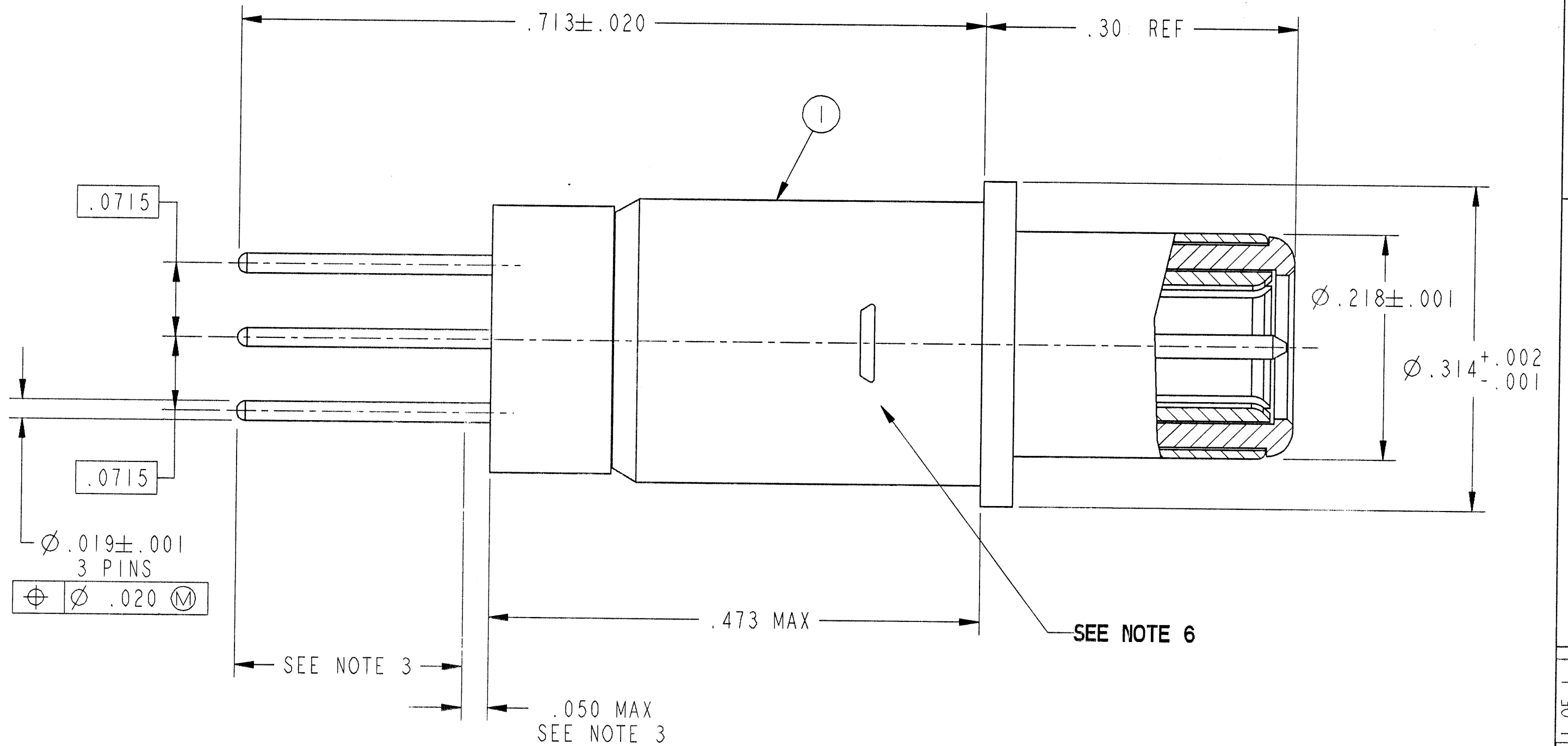
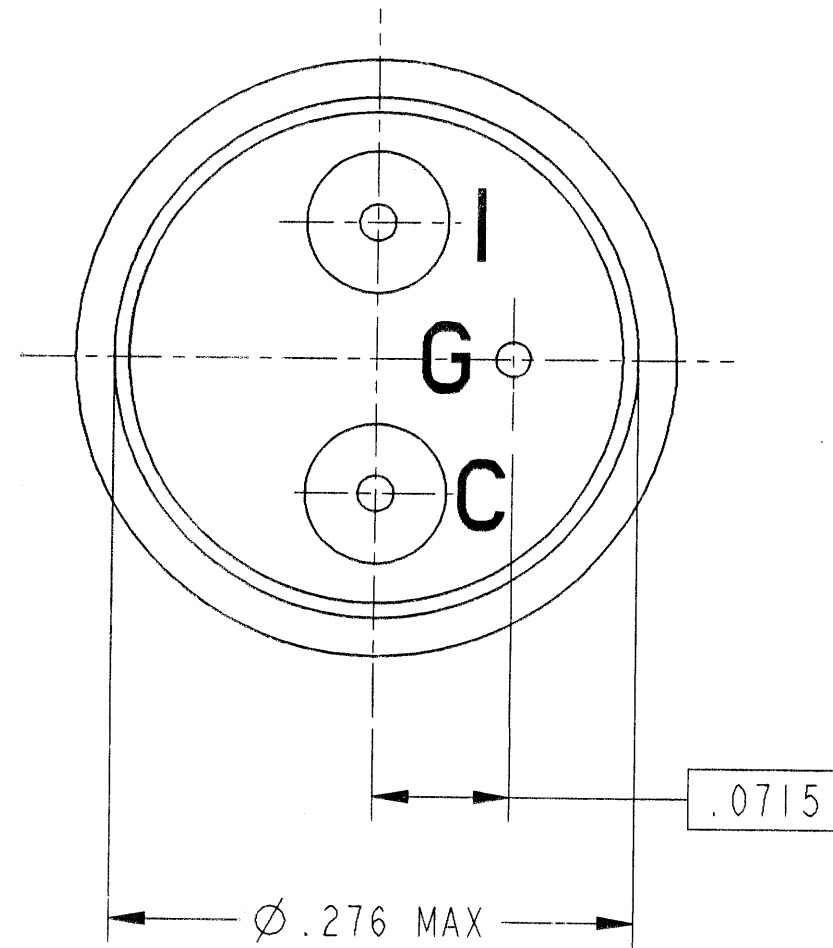


REVISIONS			
LTR	DESCRIPTION	DATE	APPVD
A	INITIAL RELEASE NUM: 21-33967-15		
B	(CLII) SEE CHANGESHT ECN: 80944	8.16.96 groschl	

I = INTERMEDIATE CONTACT  
 G = OUTER CONTACT  
 C = CENTER CONTACT



- CLEANING OF PARTS IN CHLORINATED SOLVENTS IS NOT PERMISSIBLE.
- CAUTION: HANDLE ASSEMBLY CAREFULLY TO PREVENT MISALIGNMENT OF PIN CONTACT TAILS.
- PRETIN INDICATED AREA TO WITHIN .050 OF THE CONTACT BODY PER 9-7894 IN NITROGEN WAVE SOLDER POT. IF FLUX IS USED, REMOVE ONLY WITH ULTRASONIC CLEANING IN ISOPROPANOL (SEE NOTE 5)
- A TEST VOLTAGE OF 500 VOLTS AC RMS SHALL BE APPLIED BETWEEN THE CENTER CONTACT AND THE INTERMEDIATE CONTACT AND BETWEEN THE INTERMEDIATE CONTACT AND THE OUTER CONTACT. THE VOLTAGE SHALL BE APPLIED FOR 5 SECONDS MINIMUM. THE LEAKAGE CURRENT SHALL NOT EXCEED 1 (ONE) MILLIAMPERE. THERE SHALL BE NO EVIDENCE OF BREAKDOWN OR FLASHOVER.

6. IF NOT PREVIOUSLY STAMPED, BLACK INK STAMP TRADE MARK 9-6700 TYPE IV, PER 9-3856-5 IN APPROX POSITION SHOWN. DIRECTION OPTIONAL. TRADE MARK MAY BE SOLID OR FRAME AS SHOWN.

1. PROCESS SPEC:  
 TEST 9-5272-30  
 ELECTRICAL TEST PER NOTE 4,  
 9-6700, 9-3856-5, 9-7894

NOTES:

THE USE OF THIS DOCUMENT IS UNLIMITED. HOWEVER, DOCUMENTS REFERENCED HEREON MAY CONTAIN LIMITED RIGHTS DATA.

COMPANY ID: 9	CODED/MS/CUST: N	N/A
INTERNAL: N	LOT NO: N	
DATE CODE: N	SEE DRAW: N	21-764025-222, -228
STAMPING DATA		NEXT ASSEMBLY

UNLESS OTHERWISE SPECIFIED	SPECIFICATIONS	POS	QTY	21-33968-45	PIN CONTACT ASSEMBLY	NOTE
LINEAR DIMENSIONS ARE IN INCHES	MATERIAL SPEC. N/A					
TOLERANCES:	APPROVALS					
.XXXX = ±.0005	PREPARED J. MAGNAN 17-Feb-95					
.XXX = ±.010	CHECKED <i>J. Ketchum</i> 3/17/95					
.XX = ±.03	MATERIALS <i>B. Whiteley</i> 3/17/95					
.X = ±.1	APPROVED <i>J. Ketchum</i> 3/17/95					
ANGLES = ±2°	APPROVED <i>J. Magnum</i> 3/27/95					
OTHER STANDARDS PER 9-3800 AND DOD-D-1000	PROCESS SPEC. SEE NOTE 1					
THIRD ANGLE PROJECTION	PRO. ENG INFORMATION					
	SZ8 TWINAX ASSEM					
	21-33967-45					
	AMPHENOL CORPORATION					
	BENDIX CONNECTOR OPERATIONS					
	SIDNEY, N.Y.					
	CONTACT, PIN, CONCENTRIC TWINAX, SIZE 8 PCB STYLE TERMINATION					
	SIZE C					
	FSCM NO. 77820					
	DOCUMENT NO. 21-33967-45					
	REV. B					
	SCALE: 10.0					
	REF: 21-33967-15					
	SHEET 1 OF 1					

21-33967-45