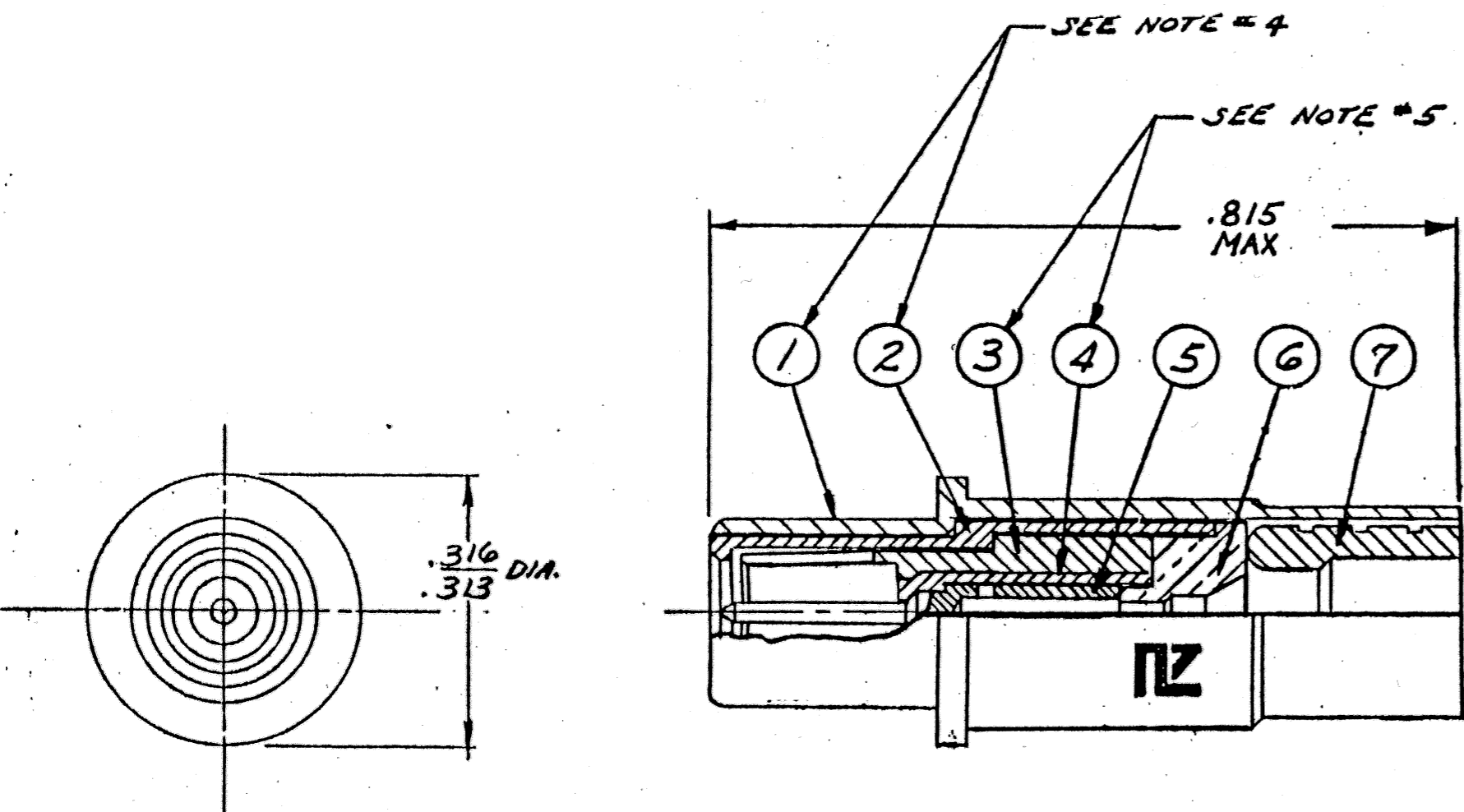


PART DRWG. 1 SHEET / OF 1 SIZE (C)  
 No. 73-467D08-LD

REVISIONS					
LTR	ZONE	E.C.O.	DESCRIPTION	DATE	APPROVED
A			INITIAL RELEASE NUMBER: R2003-49		
B			(CL I) REMOVED 9-7607 FROM NOTE 6 ECN: A9728	7-14-10 JONES	
C			(CL I) REMOVED 9-8798; CHANGED NOTES 4 & 5 ECN: B0024	1-13-11 JONES	



NOTES:

- CONTACT DESIGNED TO TERMINATE M17/176-00002 CABLE.
- CONTACT DESIGNED TO MEET THE APPLICABLE REQUIREMENTS OF MIL-C-39029/90
- ALL ITEMS (#1-#9) TO BE SHIPPED LOOSE (UNASSEMBLED) IN A RIGID CONTAINER (VIAL). VIAL, INSTRUCTION SHEET, AND IDENTIFICATION LABEL TO BE PACKAGED IN A PLASTIC BAG AND SEALED. IDENTIFICATION LABEL TO CONTAIN THE FOLLOWING:

FSC 5935  
 MFR/ PN (49367) T3-467D08-LD QTY. 1  
 CONTACT, PIN, TWINAX.  
 LOT CONTROL NO.  
 AMPHENOL CORPORATION SIDNEY, N.Y.

- PRESS FIT INSULATOR (ITEM #2) INTO OUTER BODY (ITEM #1) UNTIL FULLY BOTTOMED.
- PRESS FIT INSULATOR (ITEM #4) INTO INTERMEDIATE CONTACT (ITEM #3) UNTIL FULLY BOTTOMED.
- PROCESS SPEC.:  
 TEST 9-5272-28

AMPHENOL SIDNEY INTEGRATION  
 FSCM NO. 49367  
 SPECIFICATION NO. 9-9380  
 DATE: 21-MAR-2003

9	SLEEVE, HEAT SHRINK
8	ASSEMBLY INSTRUCTION SHEET
7	FERRULE, INNER
6	INSULATOR, REAR
5	PIN CONTACT, CENTER
4	INSULATOR, INNER
3	SOCKET CONTACT, INTERMEDIATE
2	INSULATOR, OUTER
1	OUTER BODY, PIN.
ITEM	DESCRIPTION

UNLESS OTHERWISE SPECIFIED DIMENSIONS ARE IN INCHES TOLERANCES ON			DRAWN	P.R.
FRACTIONS	DECIMALS	ANGLES	RATCHFORD	
✓	✓	✓	DATE	3/12/2003
MATERIAL	✓		CHECKED	Ratchford 3/12/03
FINISH	✓		PRODUCT ENGINEER	
NEXT ASSY.	USED ON		PRODUCTION ENGINEERING	
APPLICATION	SUPERSEDES	DATED	QUALITY CONTROL	
			ENGINEERING APPROVAL	Ratchford 3/12/03
			PART TYPE	C E A

THE PYLE-NATIONAL COMPANY CHICAGO, ILLINOIS 60651		
TITLE PIN CONTACT SIZE #8 CONCENTRIC TWINAX		
SIZE	CODE IDENT. NO.	DRAWING NUMBER
C	49367	73-467D08-LD
SCALE	1202-069-11	SHEET 1 OF 1

THIS DRAWING IS SUPPLIED FOR INFORMATION ONLY. PERMITS IN CUSTOMER FILES CANNOT BE MAINTAINED TO CURRENT ISSUE. ALL DIMENSIONS SUBJECT TO NORMAL PYLE-NATIONAL COMPANY MANUFACTURING VARIATIONS.  
 THIS DOCUMENT IS THE PROPERTY OF THE PYLE-NATIONAL COMPANY AND MUST BE RETURNED TO THE COMPANY UPON REQUEST. ALL OF THE INFORMATION AND KNOW-HOW INCORPORATED HEREIN IS PROPRIETARY AND IS NOT TO BE REPRODUCED, USED BY, OR DISCLOSED TO OTHERS OUTSIDE YOUR ORGANIZATION WITHOUT THE WRITTEN APPROVAL OF THE PYLE-NATIONAL COMPANY FOR EACH SPECIFIC INSTANCE.