

# 10G-BASE-SR

## COPPER/FIBER MEDIA CONVERTERS



### Stand-alone dual channel fiber protocol converter good for 1G and 10G Ethernet.

This product converts two channels of 1G or 10G-Base-T copper Ethernet to fiber optic protocols. In the 1G-Base-T protocol, the corresponding fiber protocol is 1G-Base-SX. In the 10G-Base-T protocol, the corresponding fiber protocol is 10G-Base-SR. The product auto-negotiates the fastest speed on the copper side of the interface and then sets the fiber speed. In addition to the functionality, the part comes as a stand-alone item to add to a platform with a 28VDC input power connector.

#### FEATURES & BENEFITS :

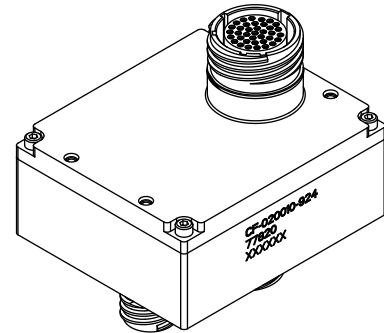
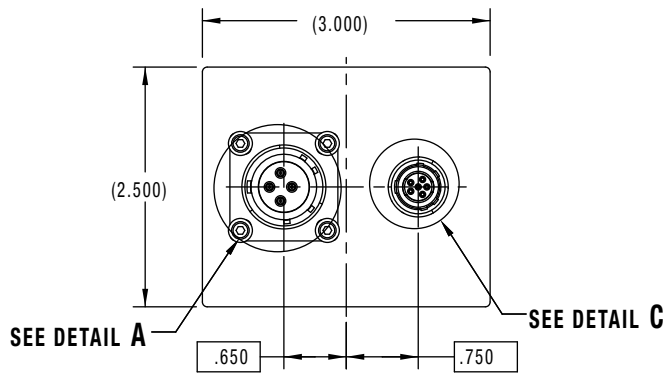
- Copper protocols are auto-negotiated and can be 1G-Base-T or 10G-Base-T compliant to IEEE 802.3an standards
- Fiber protocols can be 1G-Base-SX and 10G-Base-SR compliant to industry standards.
- Fiber optic output power is -3dBm minimum.
- Fiber optic receive sensitivities are -13dBm minimum.
- Power supply is 28V; 5 Watts max
- Stand-alone adapter for integrating systems
- Expandable from 1G to 10G speeds
- Conduction cooled and -40C-+85C temperatures

#### MARKET APPLICATIONS:

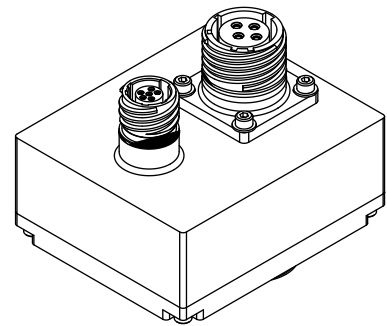
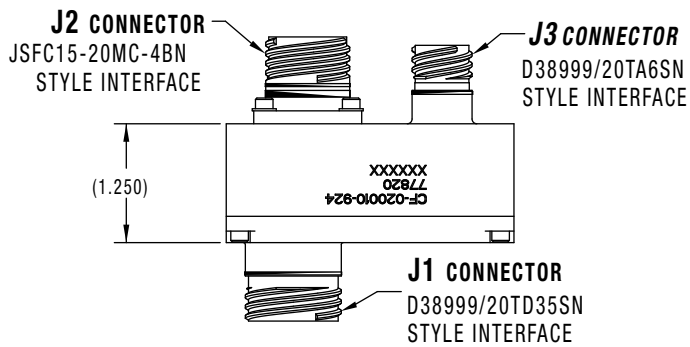
- Harsh environment avionics
- Ground systems
- Naval applications
- Sensor systems

# 10G-BASE-SR COPPER/FIBER MEDIA CONVERTER

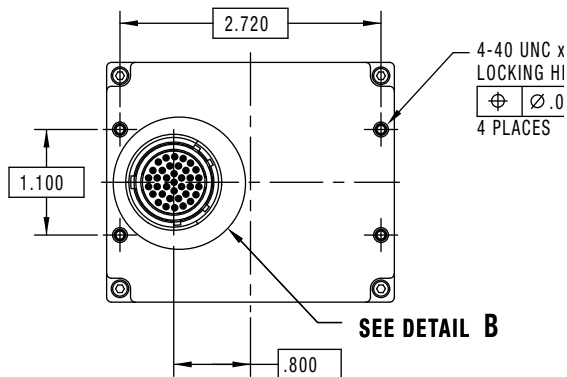
## CF-020010-924



J1 ISOMETRIC VIEW

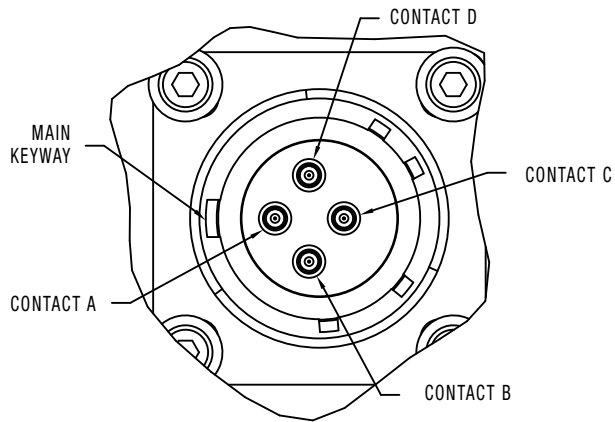


J2 & J3 ISOMETRIC VIEW

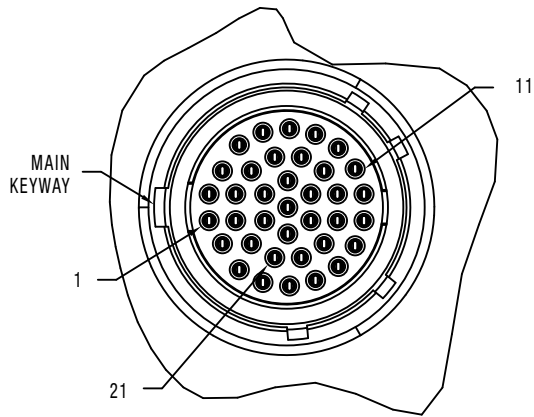


# 10G-BASE-SR COPPER/FIBER MEDIA CONVERTER

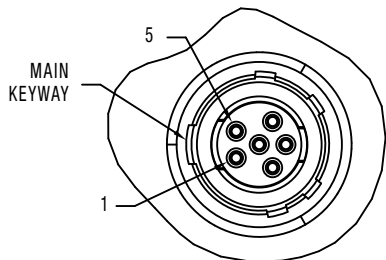
## CF-020010-924



**DETAIL A**  
(INSERT ARRANGEMENT L-21813-4)  
SCALE 4.000



**DETAIL B**  
(INSERT ARRANGEMENT L-21815-35)  
SCALE 4.000



**DETAIL C**  
(INSERT ARRANGEMENT L-21809-6)  
SCALE 4.000

J1 D38999/20TD35SN	
PIN ID	Description
1	POWER_RETURN
2	PORT1_10GBASET_DA+
3	PORT1_10GBASET_DA-
4	POWER_RETURN
5	PORT2_10GBASET_DC-
6	PORT2_10GBASET_DC+
7	POWER_RETURN
8	PORT2_10GBASET_DB-
9	PORT2_10GBASET_DB+
10	POWER_RETURN
11	PORT2_10GBASET_DA-
12	PORT2_10GBASET_DA+
13	DEBUG
14	PORT1_10GBASET_DC-
15	PORT1_10GBASET_DC+
16	POWER_RETURN
17	PORT1_10GBASET_DB-
18	PORT1_10GBASET_DB+
19	DEBUG
20	DEBUG
21	POWER_RETURN
22	PORT2_10GBASET_DD+
23	POWER_RETURN
24	POWER_RETURN
25	SPARE
26	SPARE
27	DEBUG
28	PORT1_10GBASET_DD-
29	DEBUG
30	DEBUG
31	DEBUG
32	PORT2_10GBASET_DD-
33	DEBUG
34	DEBUG
35	PORT1_10GBASET_DD+
36	DEBUG
37	POWER_RETURN

J2 JSFC15-20MC-4BN	
PIN ID	Description
A	PORT 1 TX FIBER
B	PORT 1 RX FIBER
C	PORT 2 TX FIBER
D	PORT 2 RX FIBER

J3 D38999/20TA6SN	
PIN ID	Description
1	DC POWER 28VDC
2	SPARE
3	SPARE
4	GROUND
5	SPARE
6	SPARE

# Amphenol Aerospace

40-60 Delaware Avenue

Sidney, NY 13838

[amphenol-aerospace.com](http://amphenol-aerospace.com) | [amphenolmao.com](http://amphenolmao.com)