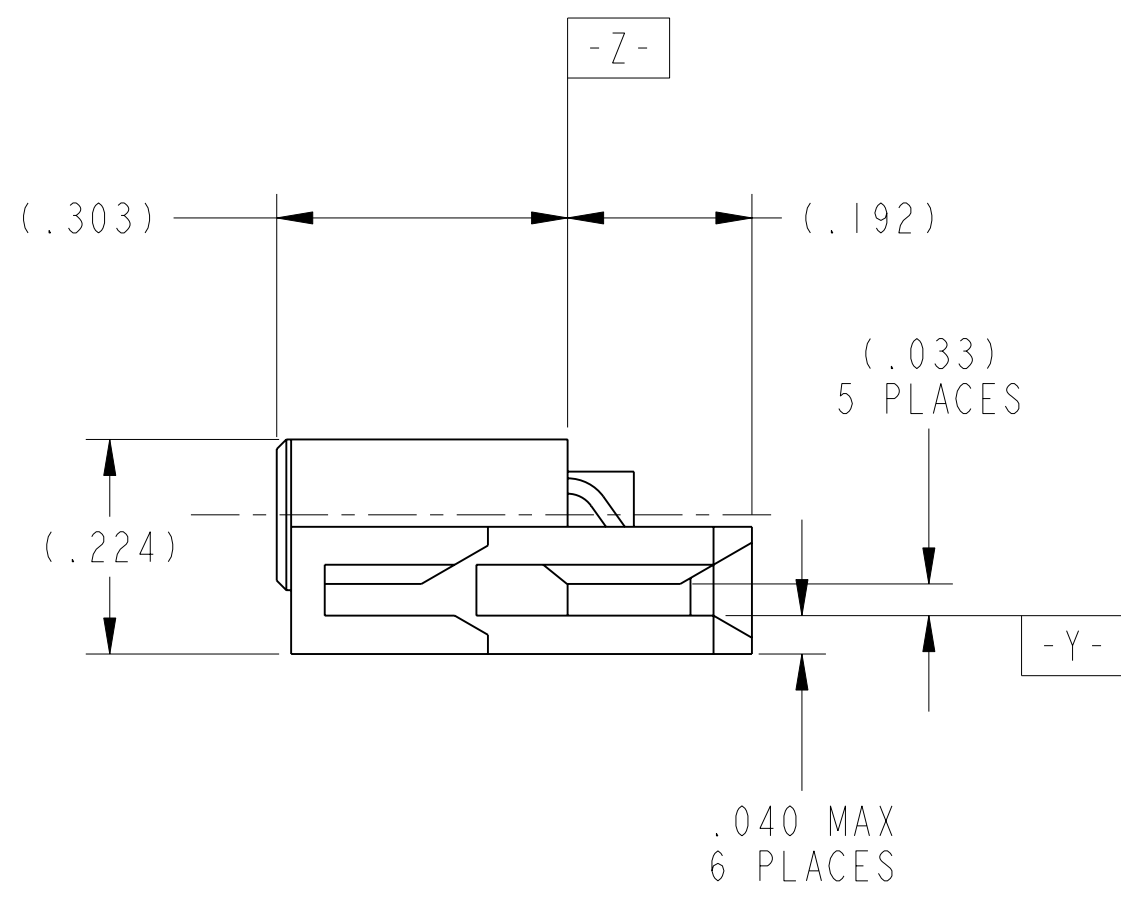
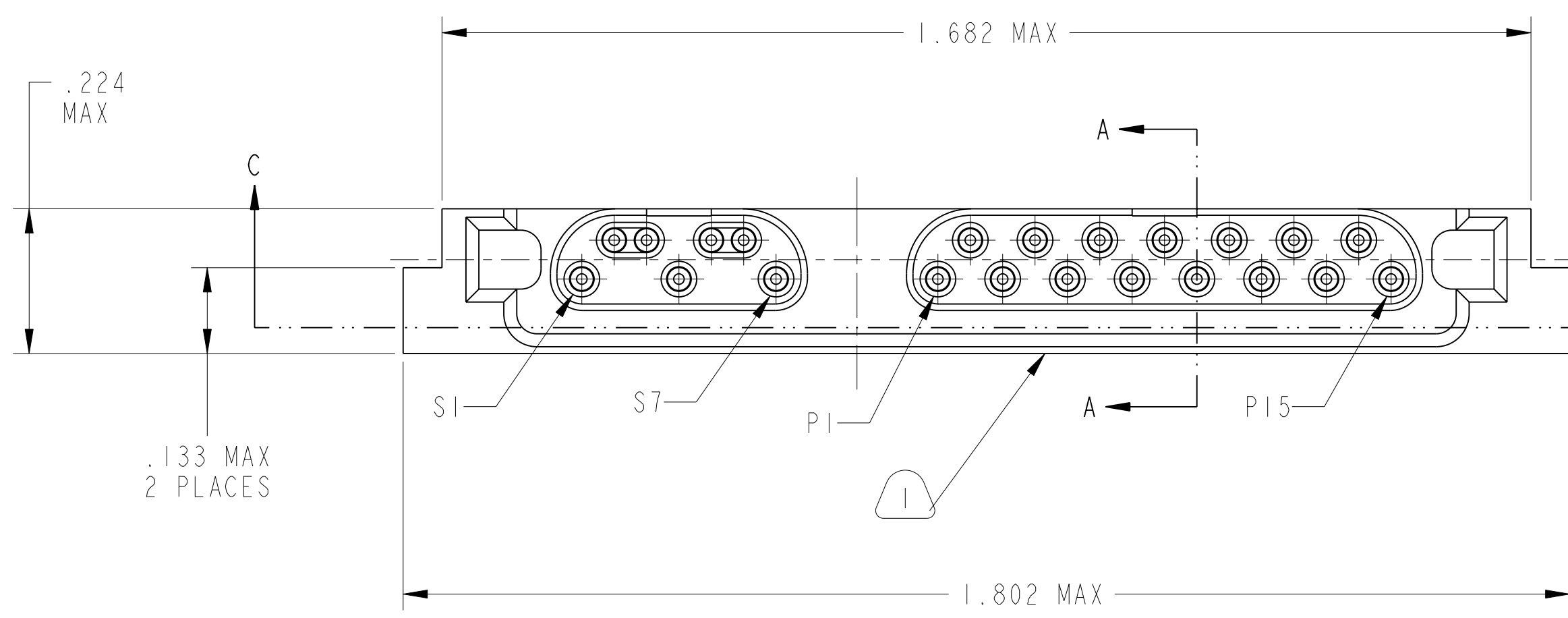
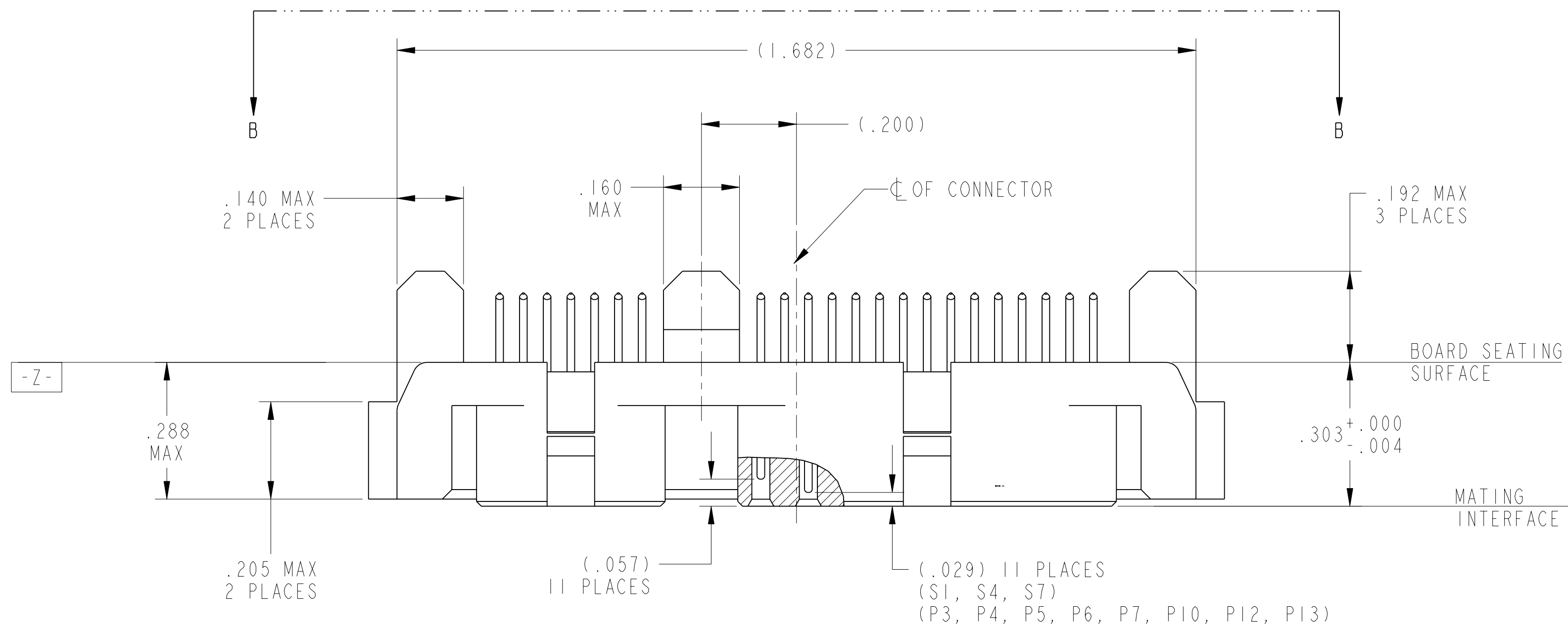


REV. PA5		SHEET 1 OF 5		DOCUMENT NO. RS2-PRCE22-X	
REVISIONS M					
LTR	DESCRIPTION	DATE			
PA5	REVISED DESIGN	12/1/15			



SEE SHEET 3

NOTES:
 THE USE OF THIS DOCUMENT IS UNLIMITED. HOWEVER, DOCUMENTS REFERENCED HEREON MAY CONTAIN LIMITED RIGHTS DATA.

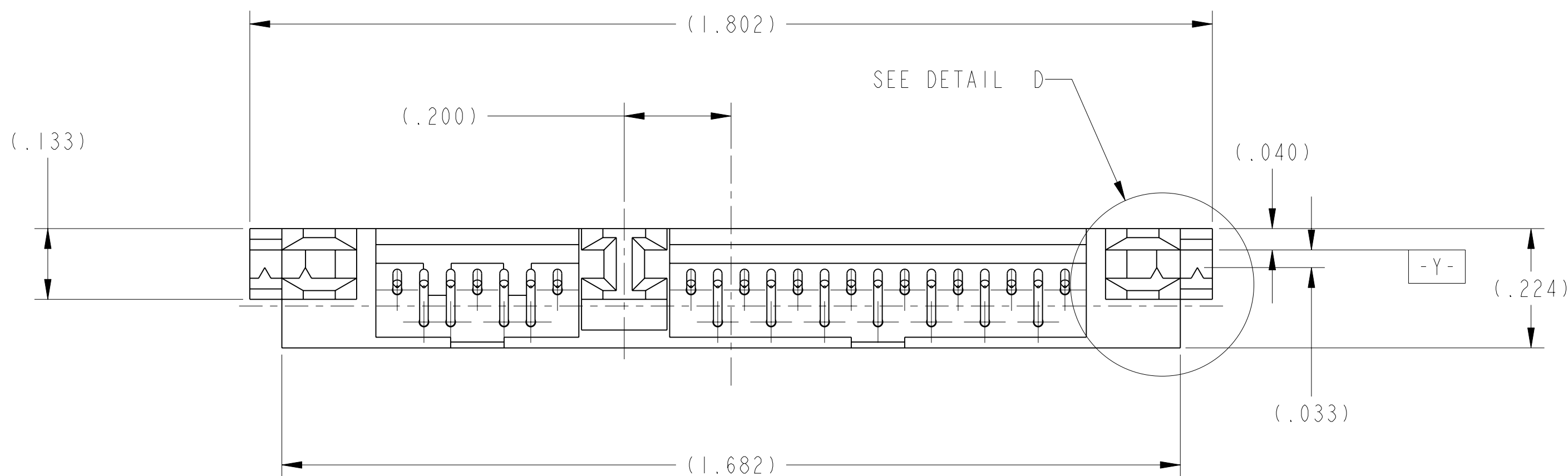
SCALE 5.000

N/A	PRO/ENGINEER INFORMATION
N/A	Pro/e Model Used: RS2-PRCE22-X.ASSEM
NEXT ASSEMBLY	Drawing Name: RS2-PRCE22-X

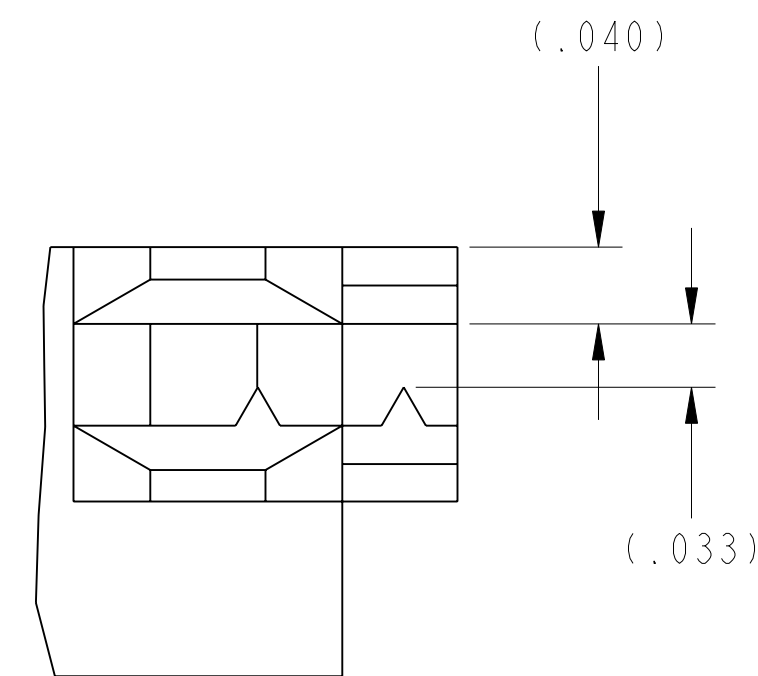
UNLESS OTHERWISE SPECIFIED		SPECIFICATIONS		POS	QTY	PART NUMBER	DESCRIPTION	NOTE
LINEAR DIMENSIONS ARE IN INCHES TOLERANCES: .XXXX = ±.0005 ANGLES= ±2° .XXX = ±.010 .XX = ±.03 .X = ±.1		MATERIAL SPEC. NA		APPROVALS		DATE	PARTS LIST	
DIM. & TOL. PER ASME Y14.5M; DRM PER MIL-DTL-31000; OTHER Amphenol Sids. PER 9-3800		PROCESS SPEC. 9-3856-5 9-3895		PREPARED BY R. CHAPMAN		28-Apr-15	AMPHENOL CORPORATION 40-60 DELAWARE AVENUE SIDNEY, N.Y. 13838	
LEGENDS: = FLAG NOTE CALL OUT REFERENCE ONLY		THIRD ANGLE PROJECTION		DESIGN MANAGER R. SELFRIDGE			CONNECTOR, ELECTRICAL, PLUG, R-SATA, 22 POSITION (CARD EDGE SURFACE MT TERMINATION)	
		9-3856-5 9-3895		DESIGN ACTIVITY GROUP BLP			SIZE C	CAGE CODE 77820
							REV. PA5	SHEET 1 OF 5
						SCALE: 2.0	REF: NONE	

RS2-PRCE22-X SHEET 1 OF 5 REV. PA5

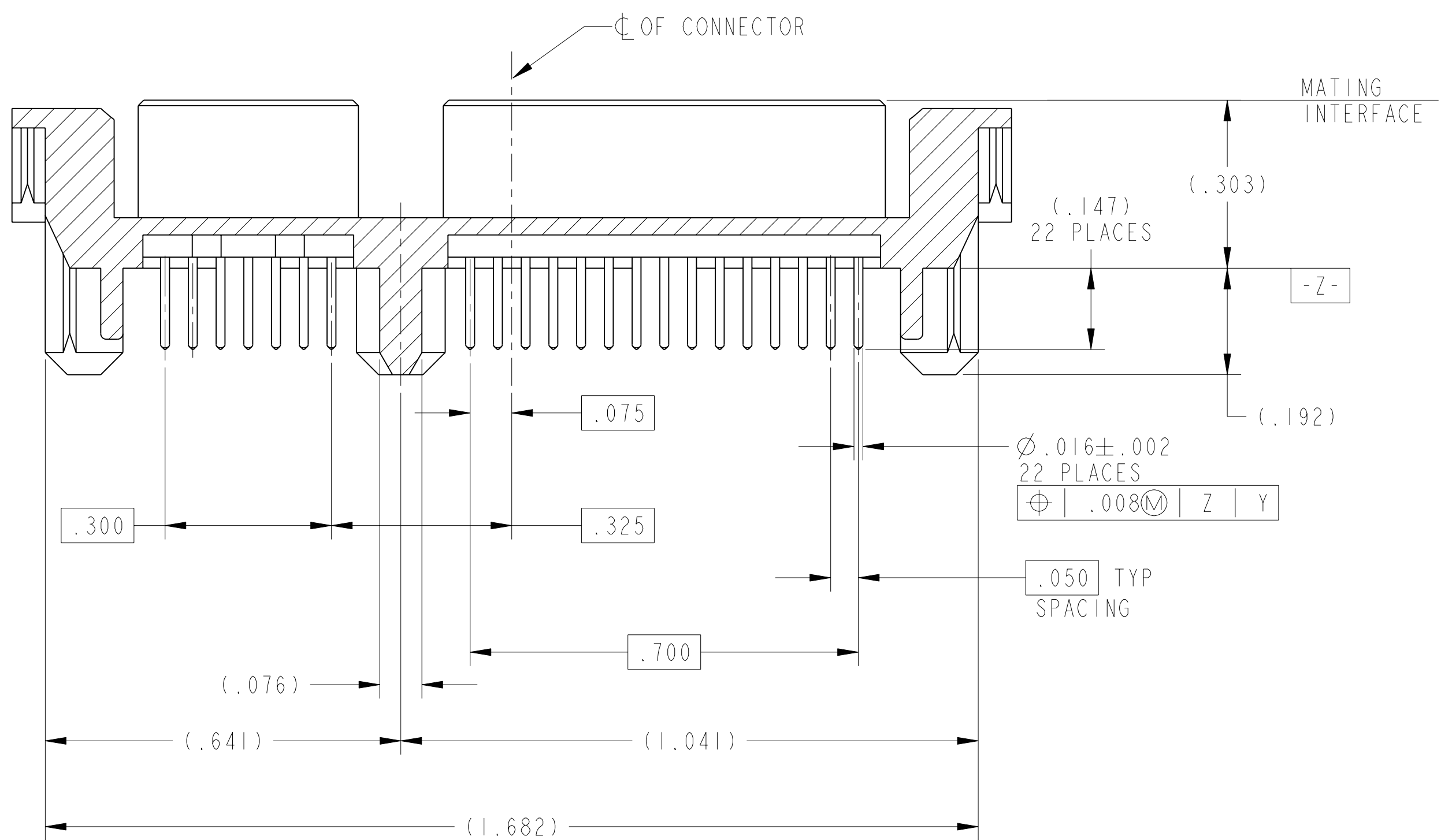
RS2-PRCE22-X SHEET 1 OF 5 REV. PA5



VIEW AT B



DETAIL D
SCALE 10.000



SECTION C-C

THE USE OF THIS DOCUMENT IS UNLIMITED. HOWEVER, DOCUMENTS REFERENCED HEREON MAY CONTAIN LIMITED RIGHTS DATA.

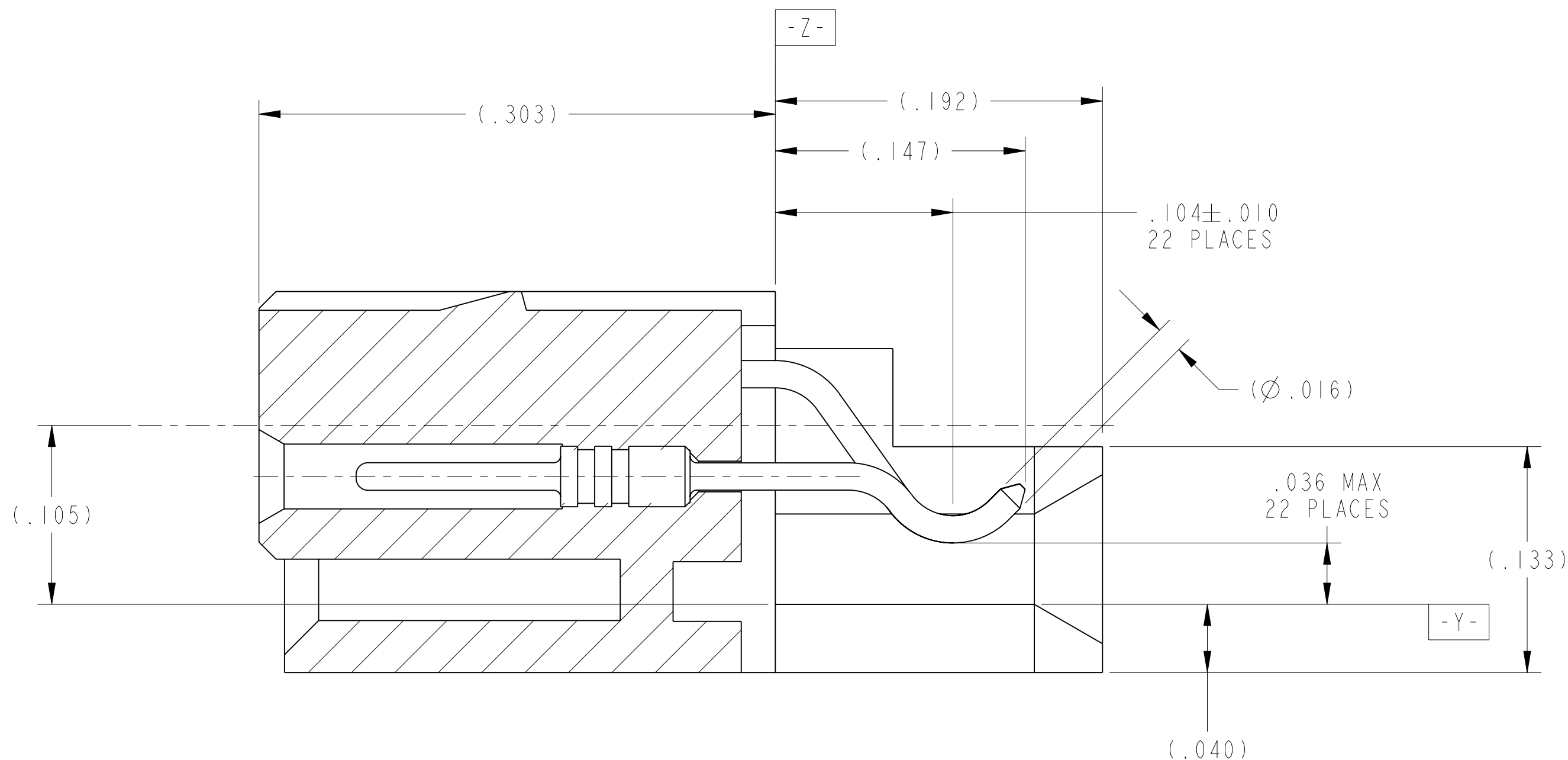
SIZE C	CAGE CODE 77820	DOCUMENT NO. RS2-PRCE22-X	REV. PA5
SCALE: 2.0	REF. NONE	SHEET 2 OF 5	

PART NUMBER
RS2-PRCE22-()

TERMINATION FINISH
 SEE SUFFIX TABLE

TERMINATION FINISH SUFFIX TABLE

SUFFIX	DESCRIPTION
2	GOLD PLATE, .000050 MIN. THICK GOLD OVER .000050 MIN. THICK NICKEL.
6	TIN-LEAD SOLDER DIPPED OVER SUFFIX 1 .0010 MIN THICK TIN-LEAD (Sn63%)



SECTION A-A
 SCALE 15.000

3. SEE SHEET 4 FOR SUGGESTED CIRCUIT BOARD LAYOUT.
2. FOR MATING RECEPTACLE CONNECTOR SEE DRAWING RS2-RST22-() AND OTHERS.
1. INK STAMP IN CONTRASTING COLOR "AMPHENOL" 77820 PART NUMBER AND DATE CODE ON INDICATED SURFACE (MAY BE ON BOTH SIDES) PER 9-3856-5. DATE CODE PER 9-3895. CHARACTERS TO BE .062±.020 HIGH. ADDITIONAL INFORMATION MAY BE REQUESTED ON PURCHASE ORDER.
 EXAMPLE: AMPHENOL 77820 RS2-PRCE22-1 1515

THE USE OF THIS DOCUMENT IS UNLIMITED.
 HOWEVER, DOCUMENTS REFERENCED HEREON
 MAY CONTAIN LIMITED RIGHTS DATA.

SIZE C	CAGE CODE 77820	DOCUMENT NO. RS2-PRCE22-X	REV. PA5
SCALE: 2.0	REF: NONE	SHEET 3 OF 5	

RS2-PRCE22-X

SHEET 3 OF 5

REV. PA5

C

B

A

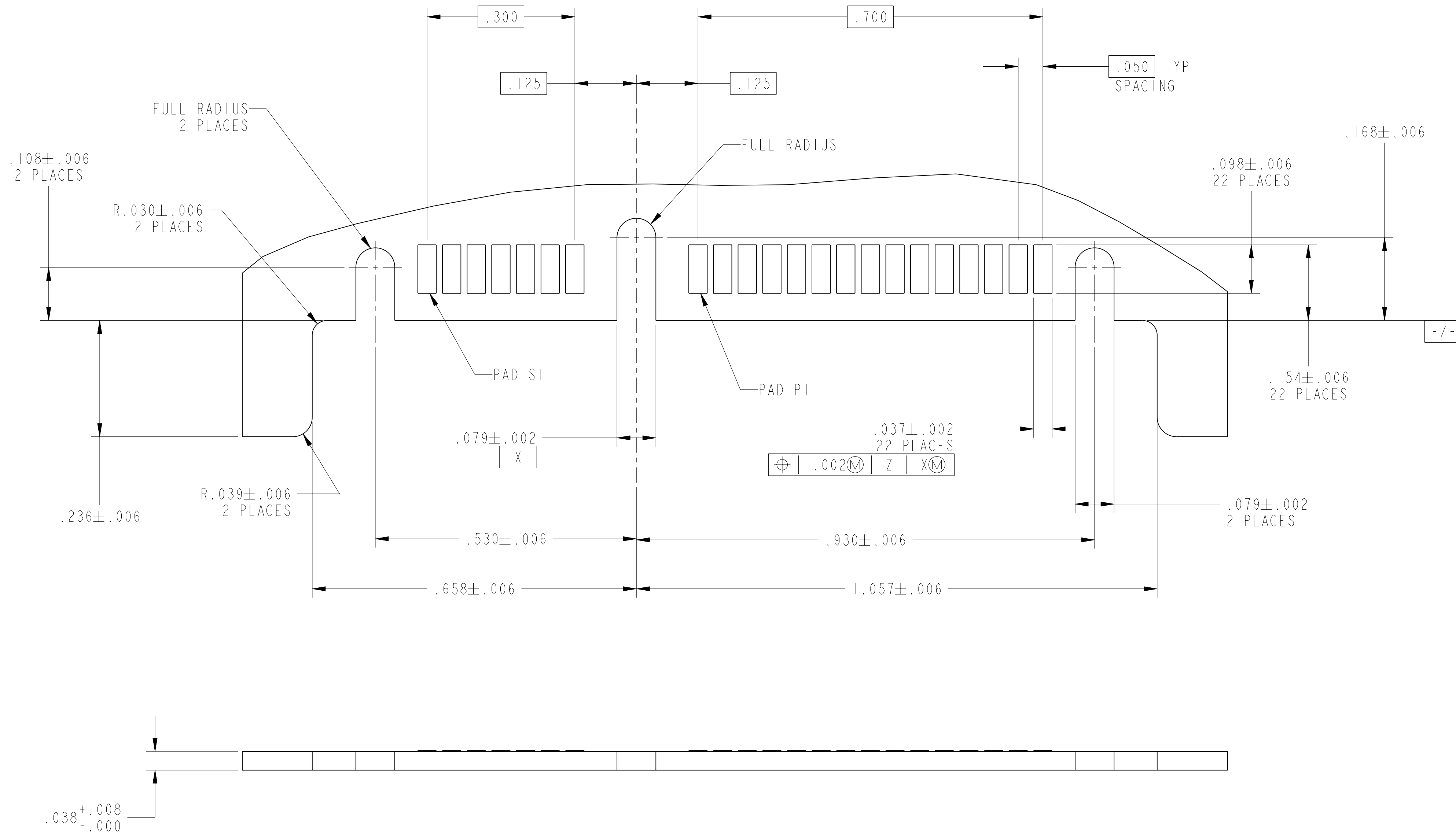
FORMAT: C-U-L-E-REV-B

REV. PA5

SHEET 3 OF 5

RS2-PRCE22-X

A

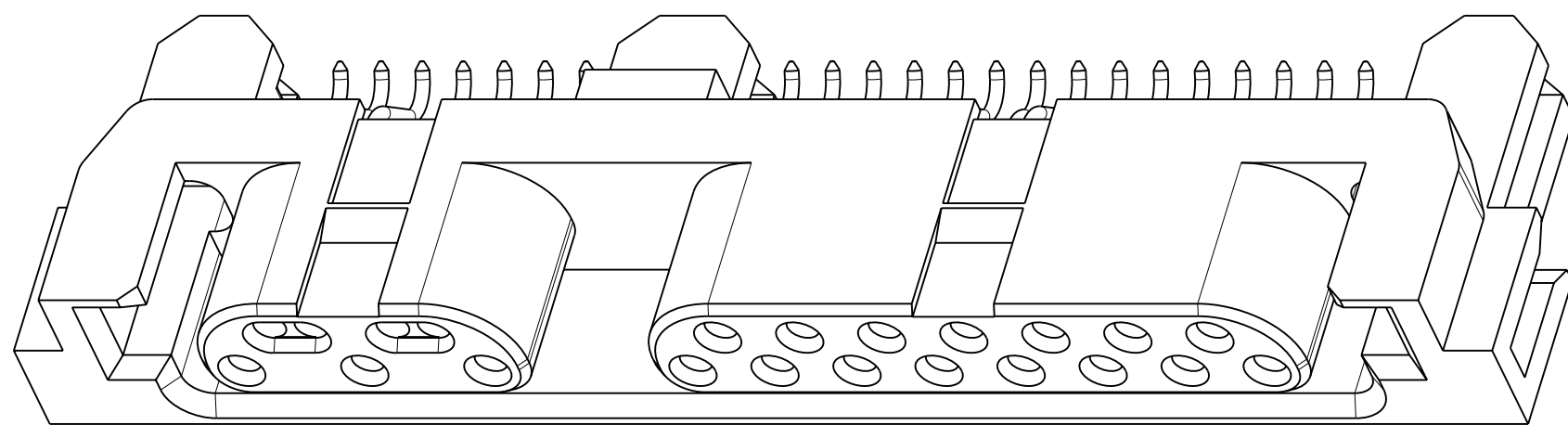


THE USE OF THIS DOCUMENT IS UNLIMITED.
HOWEVER, DOCUMENTS REFERENCED HEREON
MAY CONTAIN LIMITED RIGHTS DATA.

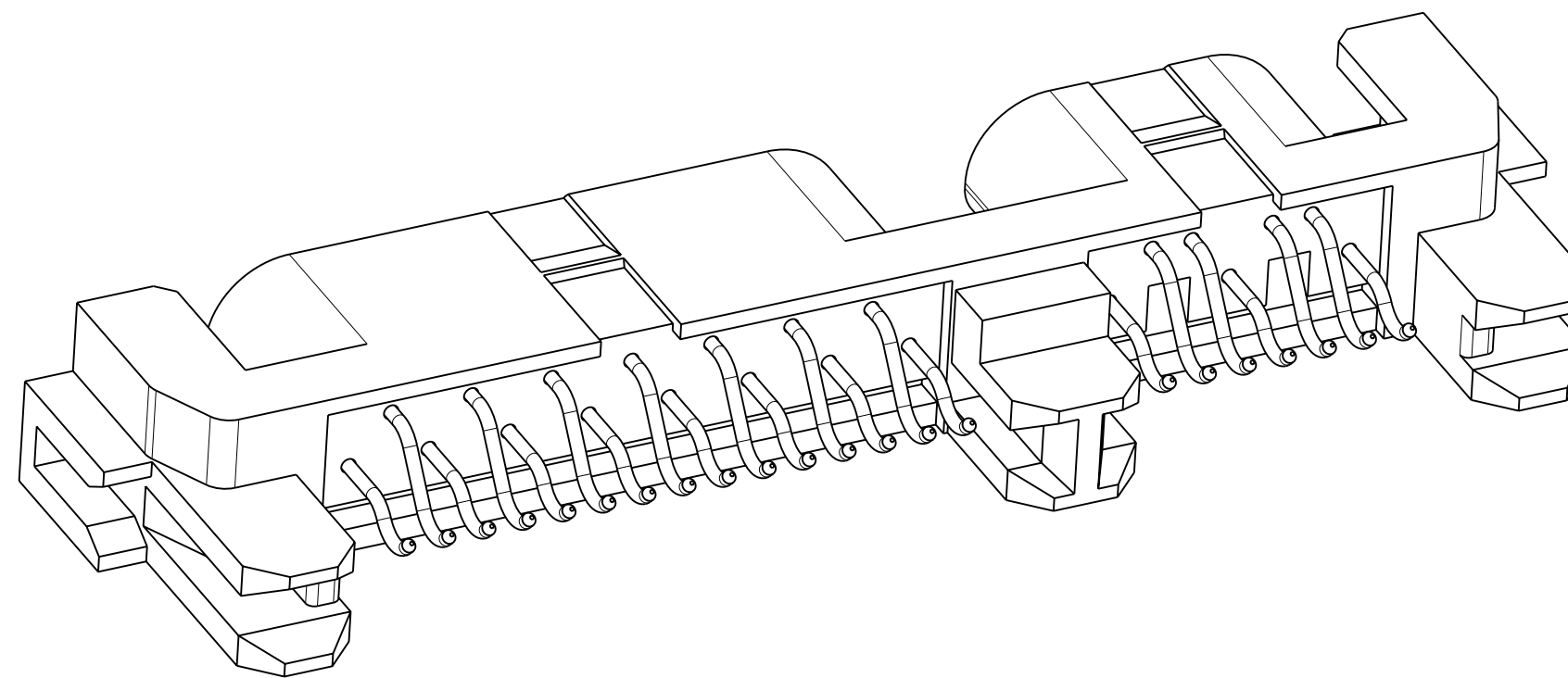
SUGGESTED CIRCUIT BOARD LAYOUT

SCALE 7.000

SIZE C	CAGE CODE 77820	DOCUMENT NO. RS2-PRCE22-X	REV. PA5
SCALE: 2.0	REF: NONE	SHEET 4 OF 5	



FRONT ISO VIEW
SCALE 5.000



REAR ISO VIEW
SCALE 5.000

THE USE OF THIS DOCUMENT IS UNLIMITED.
HOWEVER, DOCUMENTS REFERENCED HEREON
MAY CONTAIN LIMITED RIGHTS DATA.

SIZE	CAGE CODE	DOCUMENT NO.	REV.
C	77820	RS2-PRCE22-X	PA5
SCALE: 2.0	REF:	NONE	SHEET 5 OF 5

RS2-PRCE22-X

SHEET 5 OF 5

REV. PA5

C

B

A

FORMAT: C-U-L-E, Rev. B

D

C

REV. PA5

SHEET 5 OF 5

RS2-PRCE22-X

A