

REV. PA5	SHEET 1 OF 3	DOCUMENT NO. RS2-RST22-XXXX
REVISIONS M		
LTR	DESCRIPTION	DATE
PA5	ADDED -250() SUFFIX	12/1/15

RS2-RST22-XXXX

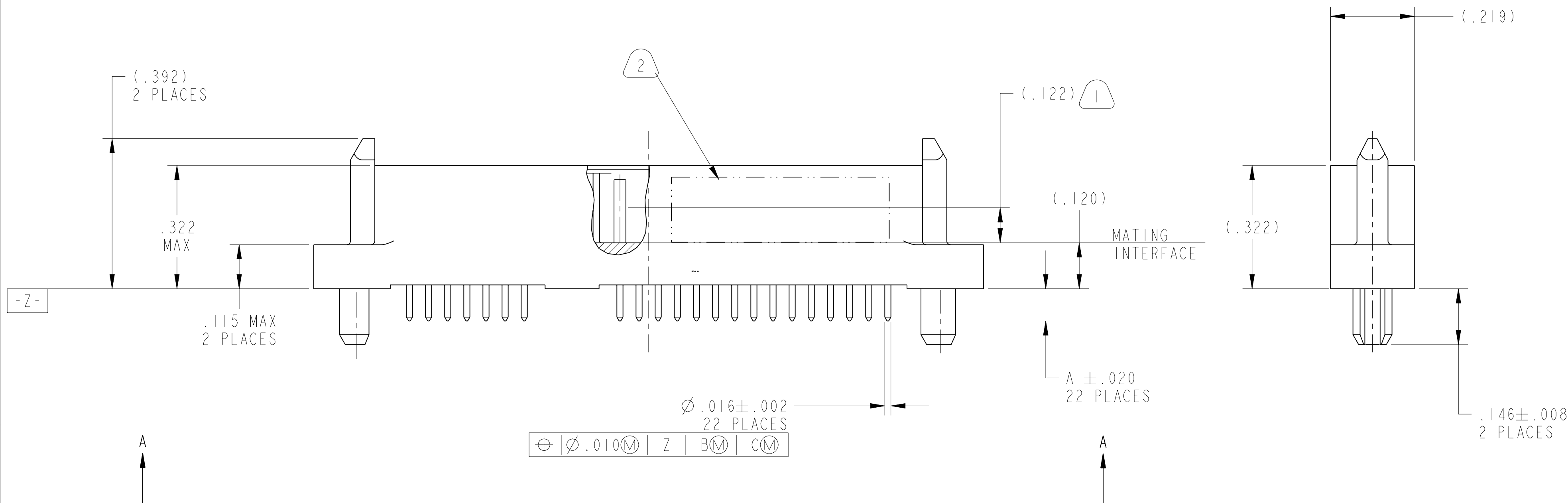
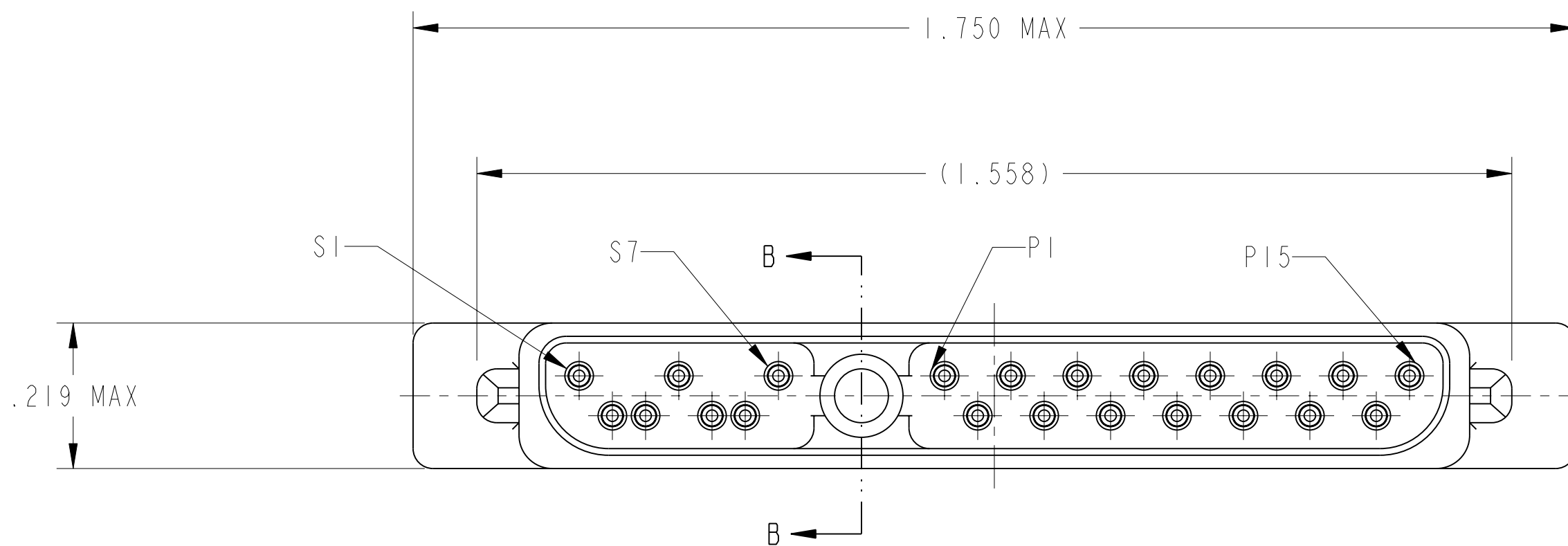
SHEET 1 OF 3

REV. PA5

C

B

A



SEE SHEET 2

NOTES:

THE USE OF THIS DOCUMENT IS UNLIMITED. HOWEVER, DOCUMENTS REFERENCED HEREON MAY CONTAIN LIMITED RIGHTS DATA.

SCALE 5.000

N/A	PRO/ENGINEER INFORMATION
N/A	Pro/e Model Used: RS2-RST22-090X.ASSEM
NEXT ASSEMBLY	Drawing Name: RS2-RST22-XXXX

UNLESS OTHERWISE SPECIFIED		SPECIFICATIONS		POS	QTY	PART NUMBER	DESCRIPTION	NOTE
LINEAR DIMENSIONS ARE IN INCHES TOLERANCES: .XXXX = ±.0005 ANGLES= ±2° .XXX = ±.010 .XX = ±.03 .X = ±.1		MATERIAL SPEC. NA		APPROVALS		DATE	PARTS LIST	
DIM. & TOL. PER ASME Y14.5M; DRM PER MIL-DTL-31000; OTHER Amphenol Sds. PER 9-3800		PROCESS SPEC. 9-3856-5 9-3895		PREPARED BY R. CHAPMAN		28-Apr-15	AMPHENOL CORPORATION 40-60 DELAWARE AVENUE SIDNEY, N.Y. 13838	
LEGENDS: =FLAG NOTE CALL OUT REFERENCE ONLY		THIRD ANGLE PROJECTION		ENGINEER IN CHARGE J. PAUL			CONNECTOR, ELECTRICAL, RECEPTACLE, R-SATA, 22 POSITION (PCB TERMINATION)	
				DESIGN MANAGER R. SELFRIDGE			SIZE C	CAGE CODE 77820
				DESIGN ACTIVITY GROUP BLP			REV. PA5	SHEET 1 OF 3
						SCALE: 2.0	REF: NONE	

RS2-RST22-XXXX

SHEET 1 OF 3

REV. PA5

SHEET 1 OF 3

RS2-RST22-XXXX

REV. PA5

A

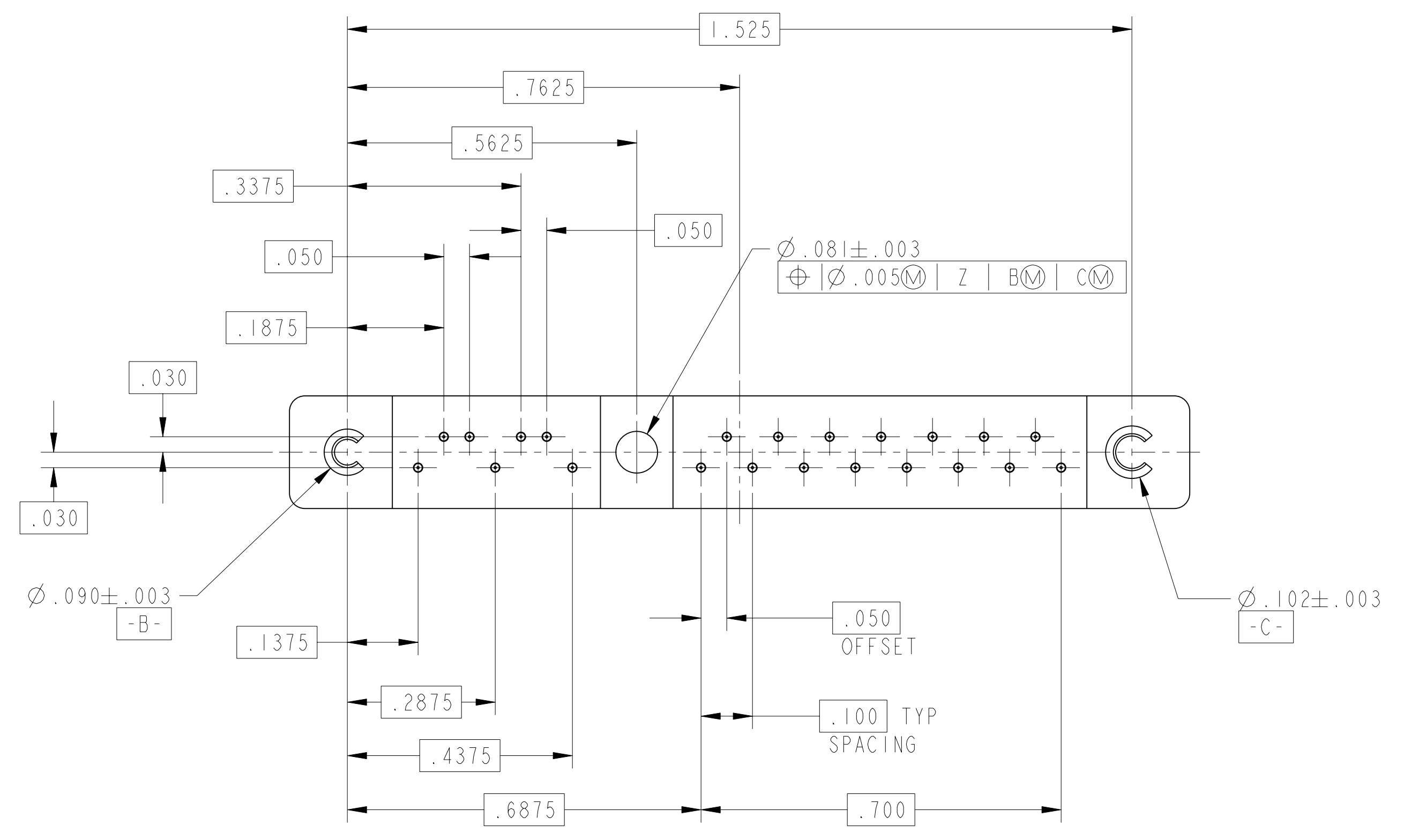
D

C

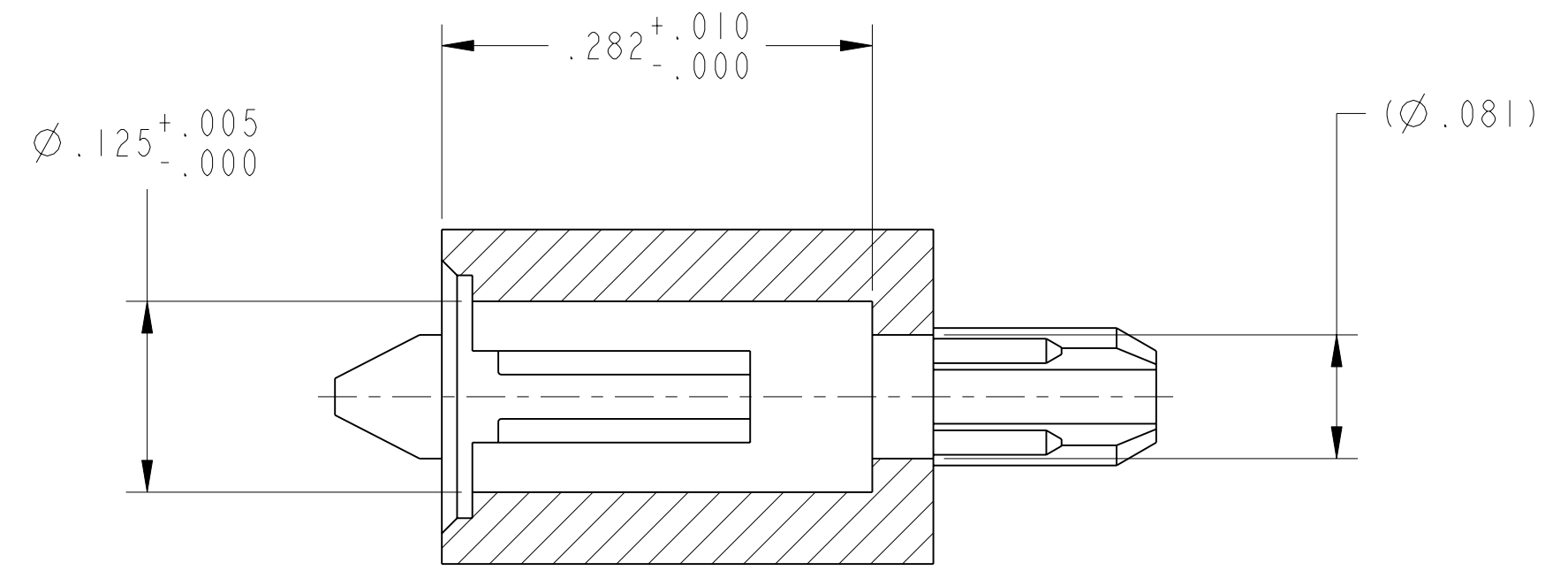
PART NUMBER	A
RS2-RST22-070()	.070
RS2-RST22-090()	.090
RS2-RST22-110()	.110
RS2-RST22-130()	.130
RS2-RST22-250()	.250

TERMINATION FINISH
SEE SUFFIX TABLE

TERMINATION SUFFIX TABLE	
SUFFIX	DESCRIPTION
2	GOLD PLATE, .000050 MIN. THICK GOLD OVER .000050 MIN. THICK NICKEL.
6	TIN-LEAD SOLDER DIPPED OVER SUFFIX 1 .0010 MIN THICK TIN-LEAD (Sn63%)



VIEW AT A



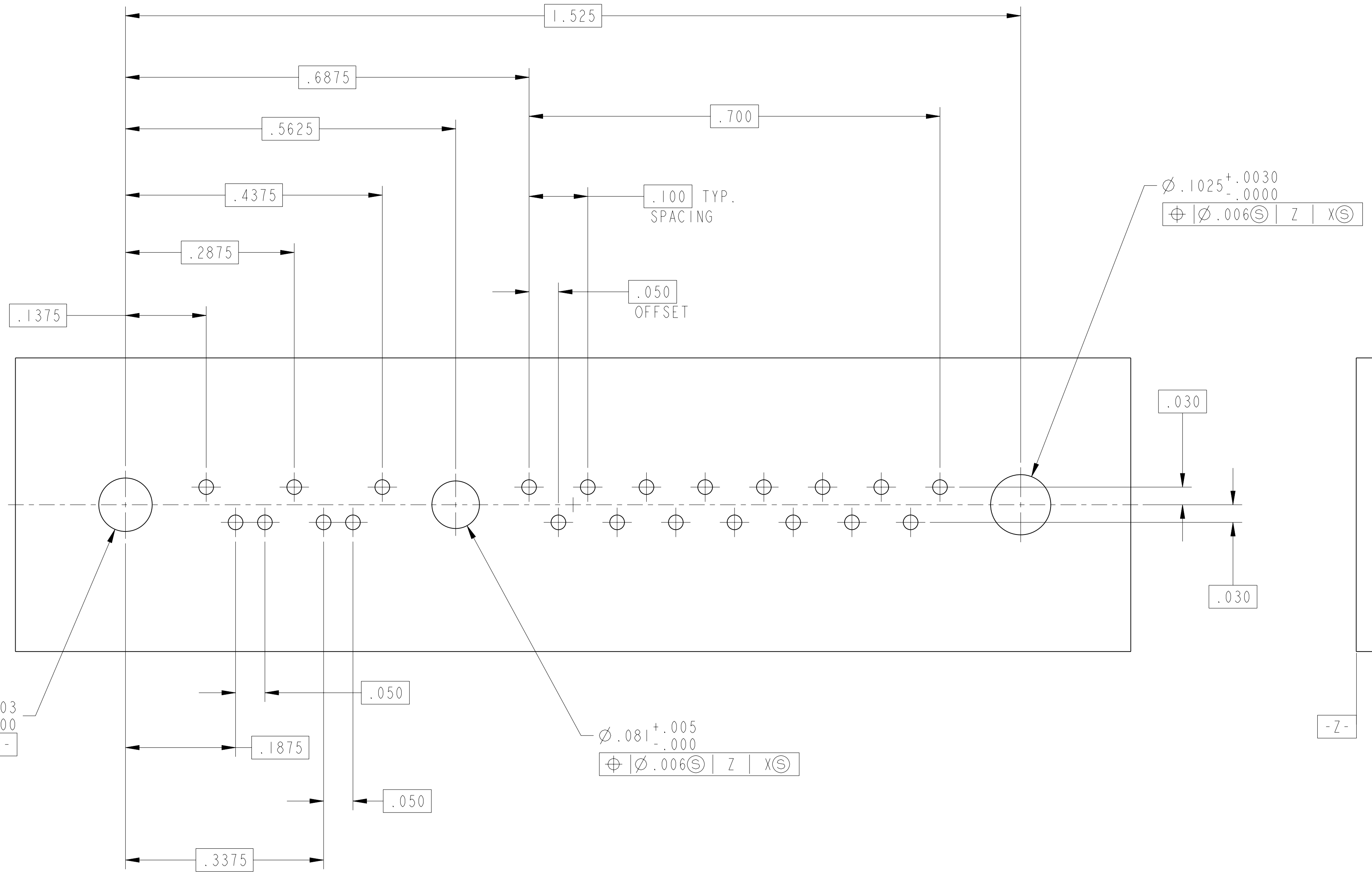
SECTION B-B
SCALE 9.000

- SEE SHEET 3 FOR SUGGESTED CIRCUIT BOARD LAYOUT.
- FOR MATING PLUG CONNECTOR SEE DRAWING RS2-PRCE22-() AND OTHERS.
- INK STAMP IN CONTRASTING COLOR "AMPHENOL" 77820 PART NUMBER AND DATE CODE ON INDICATED SURFACE (MAY BE ON BOTH SIDES) PER 9-3856-5. DATE CODE PER 9-3895. CHARACTERS TO BE $.062 \pm .020$ HIGH. ADDITIONAL INFORMATION MAY BE REQUESTED ON PURCHASE ORDER.
EXAMPLE: AMPHENOL 77820 RS2-RST22-0902 1515

1. INDICATED DIMENSION IS TO POINT OF ELECTRICAL ENGAGEMENT.

THE USE OF THIS DOCUMENT IS UNLIMITED.
HOWEVER, DOCUMENTS REFERENCED HEREON
MAY CONTAIN LIMITED RIGHTS DATA.

SIZE C	CAGE CODE 77820	DOCUMENT NO. RS2-RST22-XXXX	REV. PA5
SCALE: 2.0	REF: NONE	SHEET 2 OF 3	



SUGGESTED PRINTED CIRCUIT BOARD LAYOUT

SCALE 8.000

THE USE OF THIS DOCUMENT IS UNLIMITED. HOWEVER, DOCUMENTS REFERENCED HEREON MAY CONTAIN LIMITED RIGHTS DATA.

SIZE	CAGE CODE	DOCUMENT NO	REV
C	77820	RS2-RST22-XXXX	PA5
SCALE: 2.0	REF: NONE	SHEET 3 OF 3	