

RUGGED 24 CHANNEL 6U VPX SWITCH

Ruggedized Ethernet Switch Low Power, Short Boot Cycles, Lightly Managed

PDS - 330



DESCRIPTION

Amphenol Aerospace is the world's leader in high-end performance interconnect products for rugged environment markets. Media and protocol conversion is an important capability enabling system connectivity from commercial off-the-shelf switches, processors, and I/O boards.

Amphenol's Rugged 24 Channel 6U VPX Ethernet Switch features an integrated high-speed ARM Cortex-A9 processor, embedded Cortex-R5 processor and consists of 16 channels of 1GBase-T, four channels of 10GBase-T, and four channels of 10GBase-KR. Our switch includes IEEE standards-compliant functionality such as Time-Aware Scheduling, Preemption, and High-availability Seamless Redundancy to support Time Sensitive Networks. Port extension capability containing a controlling bridge can consistently manage and enforce Quality of Service to support VNTag and IEEE 802.1BR. Synchronous Ethernet Clock recovery is supported on any of the ports to support physical layer clock synchronization, provide hooks for both 1588v2 and IEEE 802.1, offer integrated DPLL for recovered clock cleanup as well as G.823 and G.824-compliant clock synthesizer.

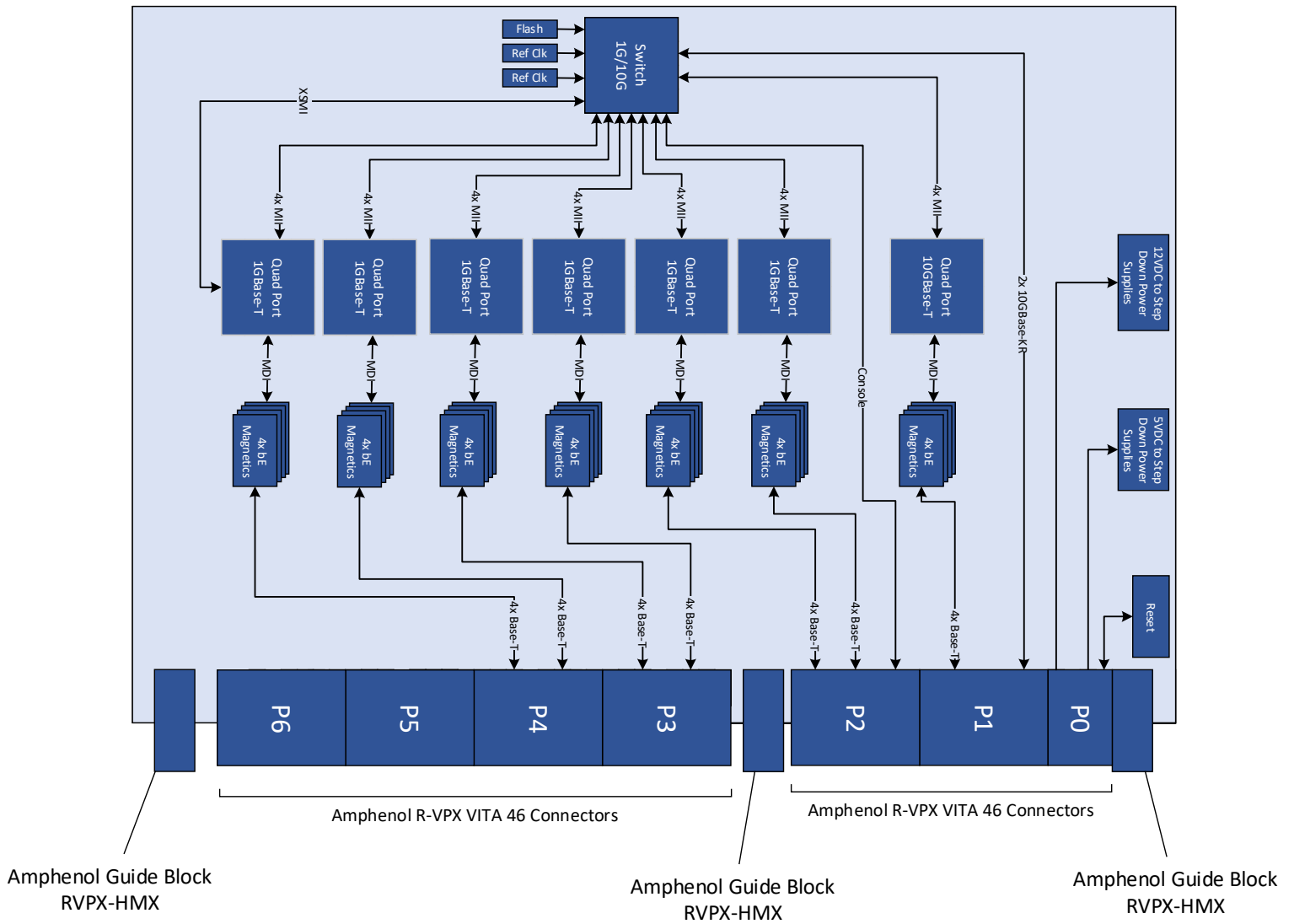
These array of features within our switch coupled with low power and short boot times makes our switch the perfect fit for rugged applications including harsh environment avionics, ground systems, or naval applications and is configurable for system connectivity, speeds, port types, and interoperability with various high-speed media converters and connectors for system interfacing.

FEATURES & BENEFITS

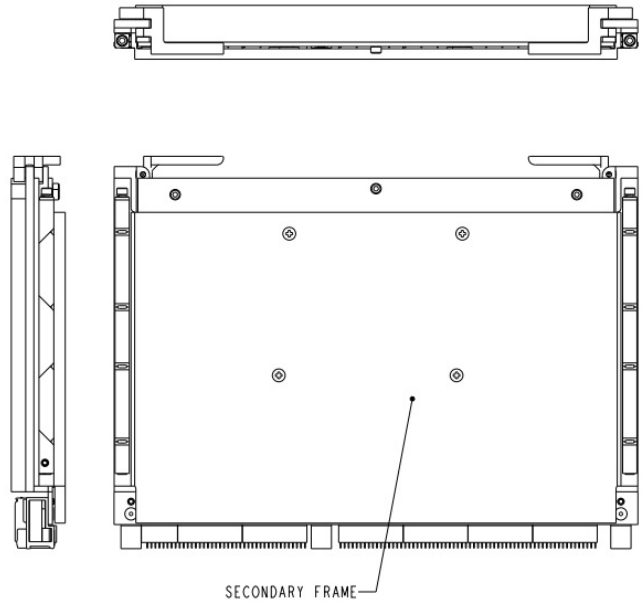
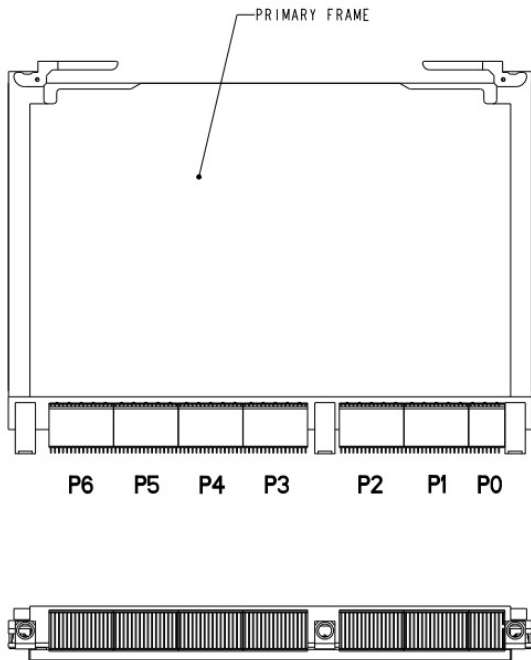
- 24 channel counts: 16X 1GBase-T, 4X 10GBase-T, 4X 10GBase-KR
- Power: 12 and 5V input, less than 50 watts
- High-performance ARM Cortex-A9 processor
- RS-232 CLI interface
- Precision time protocol
- External Reset
- Short boot time
- Low-power 28 nm CMOS process
- Vita 46 6U VPX available in conduction cooled -40°F (-40°C) to 185°F (85°C) temperature environments as well

*Note Base T is auto-negotiated for 10 Base-T to Mode Speed

BLOCK DIAGRAM



CF-020400-065



Notice: Specifications are subject to change without notice. Contact your nearest Amphenol Corporation Sales Office for the latest specifications. All statements, information and data given herein are believed to be accurate and reliable but are presented without guarantee, warranty, or responsibility of any kind expressed or implied. Statements or suggestions concerning possible use of our products are made without representation or warranty that any such use is free of patent infringement and are not recommendations to infringe any patent. The user should not assume that all safety measures are indicated or that other measures may not be required. Specifications are typical and may not apply to all connectors.

© 2021 Amphenol Corp.

Printed in U.S.A. 10-2021