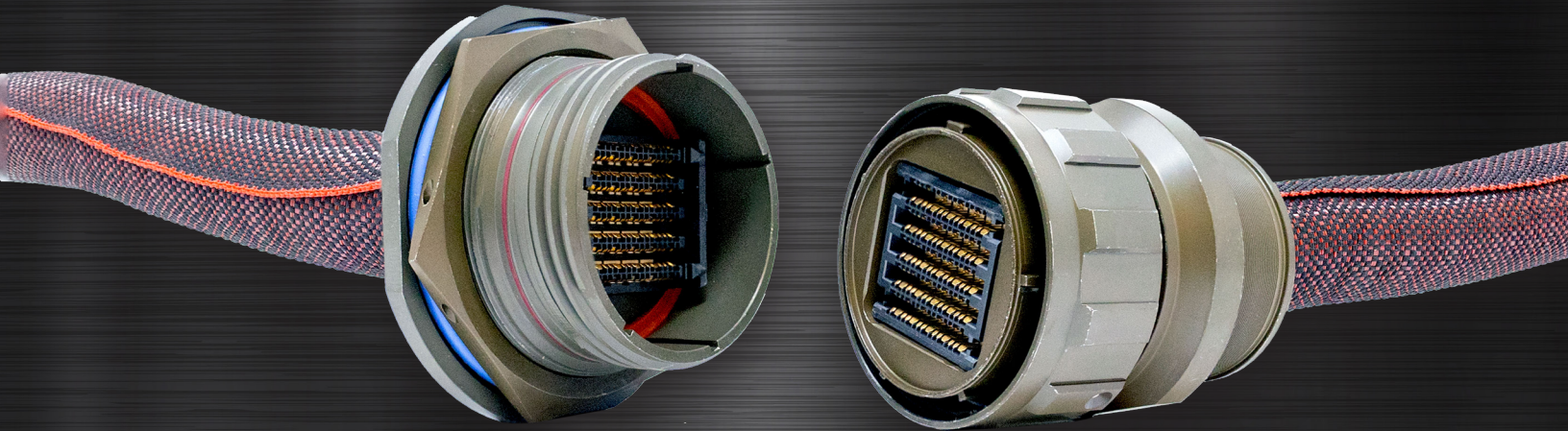


CENTAUR

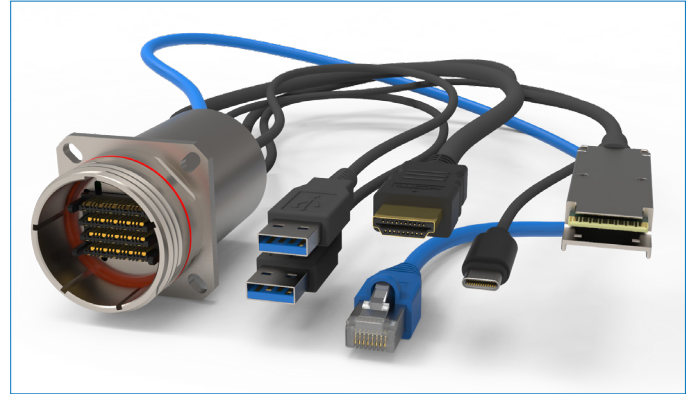
High Speed Circular and Rectangular Solutions



- High Speed
- High Density
- Ruggedized Cable Assembly

AN AMPHENOL AND SAMTEC COLLABORATION

CENTAUR



Centaur is a high-speed, high density, ruggedized cable assembly

The Centaur, a Greek mythological creature, utilized the advantages of a human upper body and equestrian lower body to flourish. Like the mythological creature, Amphenol's Centaur interconnect utilizes the advantages of our extensive legacy of Mil-Spec connectors and the latest in high-speed contact and connector technology. The Centaur interconnect provides both a durable and high-bandwidth system perfect for military, aerospace, and other ruggedized, high-bandwidth applications. It supports data rates up to 10 Gbps in a ruggedized, lightweight aluminum MIL-DTL-38999 shell.

FEATURES & BENEFITS:

- Ruggedized light-weight aluminum MIL-DTL-38999 series III size 17, 23, and 25
- Available in 40 or 32 100 ohm differential pairs depending on shell size
 - o Shell size 25 – 40 DP plus 10 single ended
 - o Shell size 23 – 32 DP plus 8 single ended
 - o Shell size 17 – 12 DP plus 6 single ended
- Keying: “N” (Standard) “A”, “B”, “C”, “D”, “E”
- Backshell Options in Straight, 45 degrees, 90 degrees, and other types
- Wide variety of high bandwidth AWG wires
- Supports data rates up to 10 Gbps PAM4
- Connects to a wide range of commercial of the shelf connectors e.g. HDMI, USB, QSFP, RJ45, etc.
- Fully electrically tested
- Impedance: 100Ω
- Mating Cycles: 500

**Custom
Options
Available**



MECHANICAL:

- Contact material: Copper Alloy
- Shell material: Aluminum with standard plating options
- Contact plating: Au over 50u Ni

ENVIRONMENTAL:

- -40° C to 85° C operating
- VITA 47 Shock and Vibration
- IP67 Configuration Available



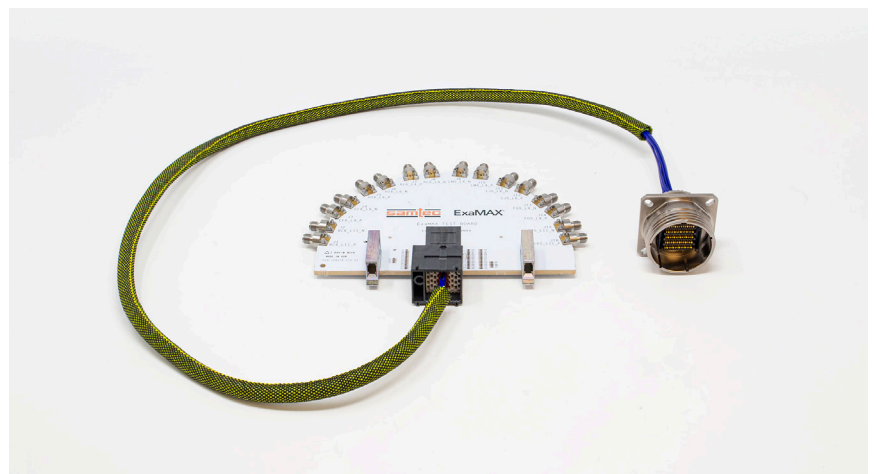
Centaur Sample Boxes:

Available Upon Request
Centaur – Size 25 Mated Cable Set

Protocols Supported	Shell Size	
	23	25
USB 2.0 / Std A & B	X	X
USB 3.0 / Std A & B	X	X
10/100/1000 Ethernet	X	X
10G Ethernet	X	X
25G Ethernet	X	X
40G Ethernet	X	X
100G Ethernet	X	X
SATA	X	X
eSATA	X	X
Micro-SATA	X	X
Mini-SAS	X	X
PCIe 1.0/2.0/3.0/4.0	X	X
4X IB (CX4)	X	X
QSFP IB	X	X
12X IB	X	X
DVI	X	X
Display Port	X	X
HDMI	X	X
SFP+	X	X
Fibre Channel	X	X

*Contact us for more options

	Amphenol CENTAUR	Meritec HERCULES
Legacy of QPL circular connectors	X	
Multi-decade lineage of high-speed contact and connector technology	X	
Fortune 500 company	X	
Difficult & proprietary laser weld cable process		X
Flexible and simple cable assembly process	X	
Partnership with COTS Samtec ExaMAX® product	X	
Quick turn prototypes	X	
Support for aluminum shell materials	X	
Support for all shell plating finishes	X	



CENTAUR SERVICE CLASS

Connector Material	Service Class	Material / Description
Aluminum	OD Cadmium	500 hour salt spray, EMI Shielding -50 db @10GHz specification min.
	Electroless Nickel	48 hour salt spray, EMI Shielding -50 db @10GHz specification min.
	Durmalon	Nickel-PTFE alternative to Cadmium, 500 hour salt spray, EMI -50dB
	Black Zinc	Zinc-Nickel alternative to Cadmium, 500 hour salt spray, EMI Shielding



CENTAUR CONFIGURATION OPTIONS



1.	2.	3.	4.	5.	6.
Connector Cable End 1	Connector Cable End 2	Service Class	Shell Size	Cable	Length
1SN	2SN	A1	25	TS	25

1. Cable End 1				
38999 Shell Type and Insert		Backshell		Keying
1	Straight Plug (ExaMAX® Based insert - Female)	S	Straight	N
2	Wall Mount Receptacle (ExaMAX® Based insert - Male)	N	None	A
5	Jam Nut Receptacle (ExaMAX® Based insert - Male)	R	Right Angle	D
				B
				C
				E
Other Shell Type and Insert		Options		
7	Pigtail			Leave Blank
8	Samtec ExaMAX® EBCF Female (Mates with EBTM Male)*	R	Right Angle	
9	Samtec ExaMAX® EBCM Male (Mates with EBTF Femaie)*	N	None	

2. Cable End 2				
38999 Shell Type and Insert		Backshell		Keying
1	Straight Plug (ExaMAX® Based insert - Female)	S	Straight	N
2	Wall Mount Receptacle (ExaMAX® Based insert - Male)	N	None	A
5	Jam Nut Receptacle (ExaMAX® Based insert - Male)	R	Right Angle	D
6	COTS Connector Configurations			B
				C
				E
Other Shell Type and Insert		Options		
7	Pigtail			Leave Blank
8	Samtec ExaMAX® EBCF Female (Mates with EBTM Male)*	R	Right Angle	
9	Samtec ExaMAX® EBCM Male (Mates with EBTF Femaie)*	N	None	

If you need other options which are not listed, please contact Stephen Fernandez at (607)-563-5339 or (607)-437-7753

3. Service Class			
Material		Finish	
A	Aluminum	1	OD Cadmium
		2	Electroless Nickel
		3	Durmalon
		4	Black Zinc

Other options available upon request

4. Shell Size / Insert Arrangement	
25	40 DP / 10 Single Ended with Samtec ExaMAX®
23	32 DP / 8 Single Ended with Samtec ExaMAX®
17	12 DP / 6 Single Ended with Samtec ExaMAX®

5. Cable			
Samtec Cable Jacket Materials		Braiding / Shielding*	
T	THV-30 AWG	P	PET Braiding
H	THV-34 AWG	N	Nylon Braiding
		T	Tin Shielding
		S	Silver Plated Shielding
		X	None
		E	Environmental Heat Shrink
		F	Foil Wrap
		Z	Low Smoke Low Halogen

*Multiple options are permissible. Variable order defines order of application over wires.

6. Complete Assembly Length	
0 - 999 inches	

Retention Feature Mating Chart		
Centaur	Board Mount	Latches/Brackets
Samtec ExaMAX® EBCF Female	Samtec ExaMAX® EBTM Male	EBCL-Vertical Latching Shroud
Samtec ExaMAX® EBCM Male	Samtec ExaMAX® EBTF Female	EBCB-Panel Retention Bracket

Contact Samtec to order Board Mount Connectors and Latches/ Brackets at HSBP@samtec.com

CENTAUR MIL-DTL-38999 SIZES / PIN MAPS



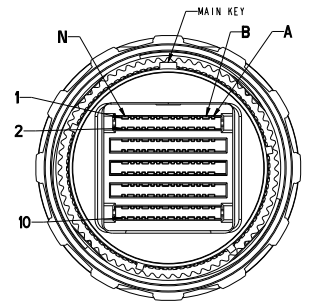
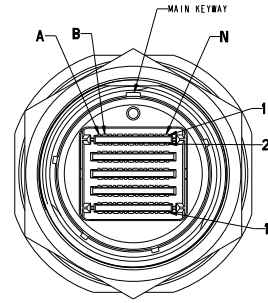
Shell Size 25 - 40 Pairs / 10 Single Ended

Wiring Table Size 25 Tx: Rx Signal Map

P1/ J1	TYPE	J2	P1/ J1	TYPE	J2
A9	SIG	A9	A10	GND	M10
B9	GND	N9	B2	DP+	L10
C9	DP+	M9	C2	DP-	K10
D9	DP-	L9	D2	GND	J10
E9	GND	K9	E2	DP+	I10
F9	DP+	J9	F2	DP-	H10
G9	DP-	I9	G2	GND	G10
H9	GND	H9	H2	DP+	F10
I9	DP+	G9	I2	DP-	E10
J9	DP-	F9	J2	GND	D10
K9	GND	E9	K2	DP+	C10
L9	DP+	D9	L2	DP-	B10
M9	DP-	C9	M2	GND	A10
N9	GND	B9	N2	SIG	N10

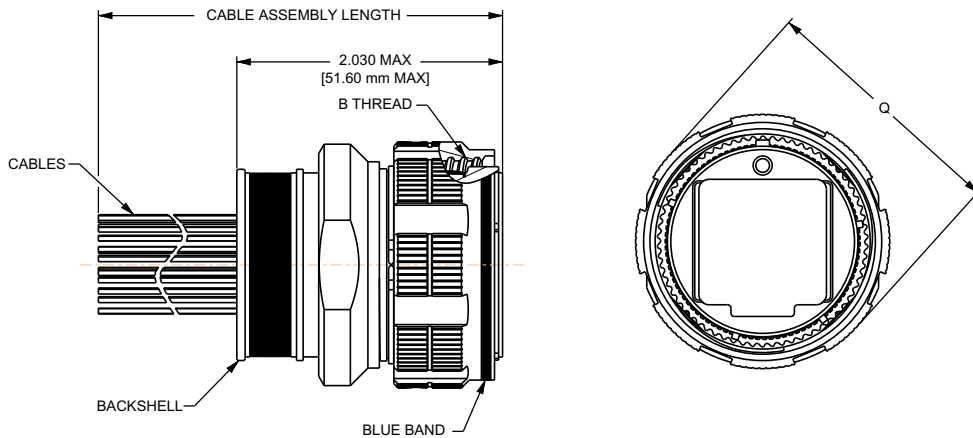
All Ground Common and Tied to Cable Shields

Connector Shell Isolated From Cable Ground

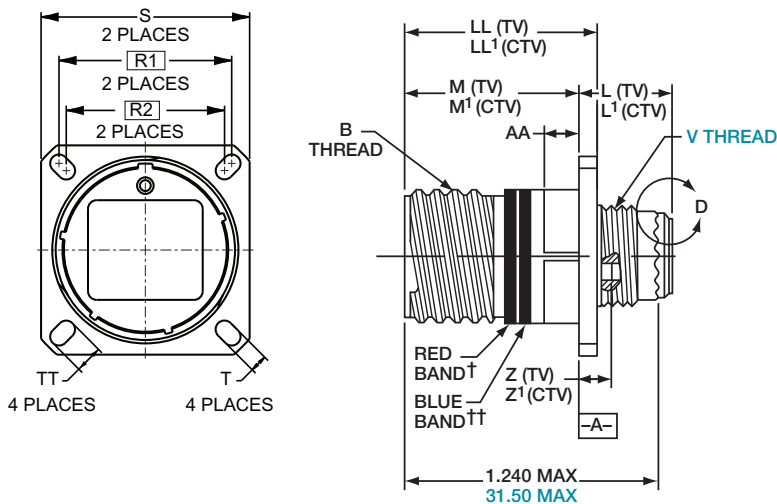


CENTAUR MIL-DTL-38999 STRAIGHT PLUG

ALUMINUM / STAINLESS STEEL

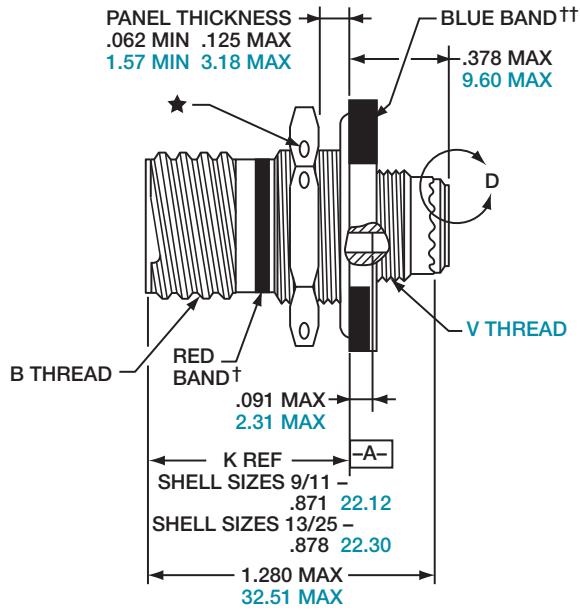
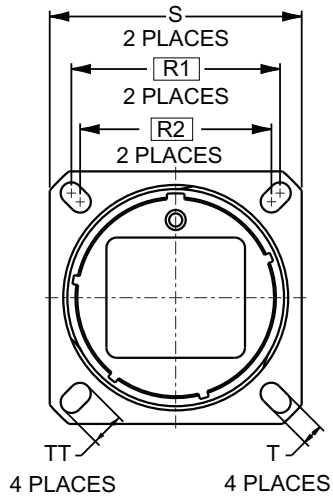


CENTAUR MIL-DTL-38999 WALL MOUNTING RECEPTACLE

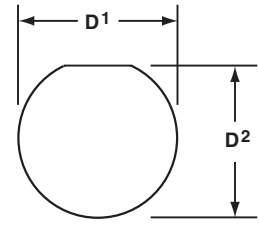


† Red band indicates fully mated
 †† Blue band indicates rear release contact retention system

CENTAUR MIL-DTL-38999 JAM NUT RECEPTACLE



PANEL HOLE DIMENSIONS



JAM NUT D-HOLE MOUNTING

- † Red band indicates fully mated
- †† Blue band indicates rear release contact retention system
- ★ .059 dia min.

CENTAUR SAGITTARIUS

High-Speed, High-Density Solutions for Space



Made for Space

- Electroless nickel plating
- Low outgassing
- Tin free

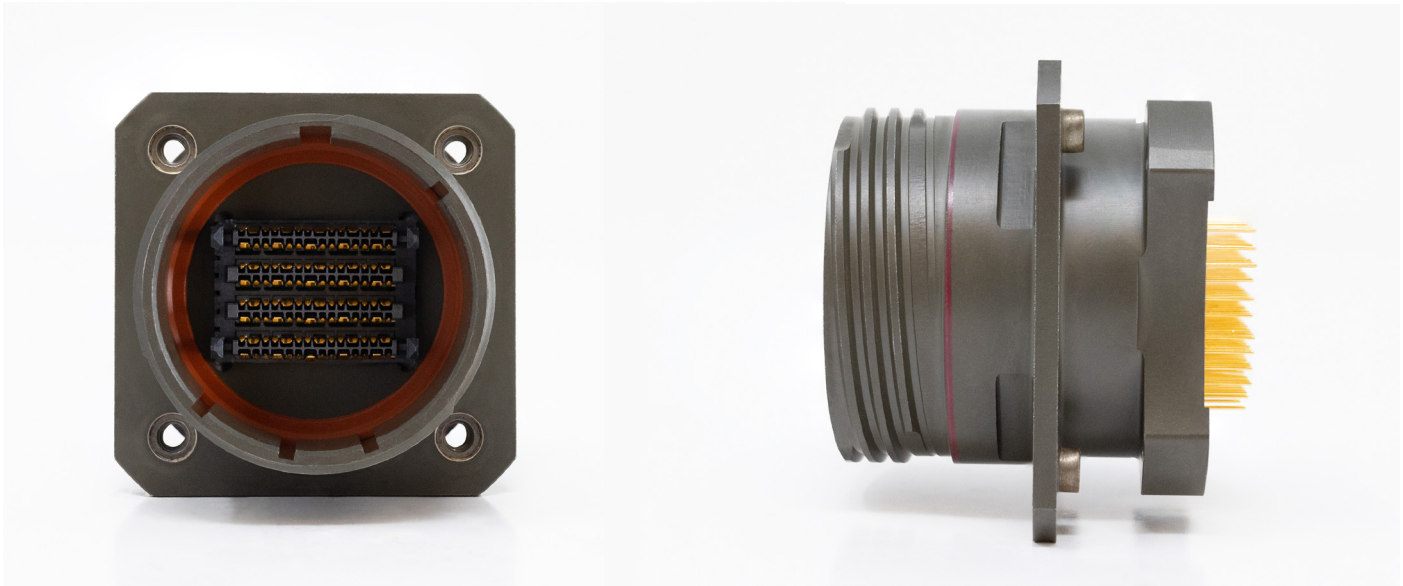
Reliable as Ever

- Dense: 40, 32, & 12 differential pairs
- Fast: up to 56 Gbps PAM 4
- Circular & rectangular shells
- Cable assemblies
- Press fit, or solder tail PCB

Like the mythological centaur combined man and horse, Centaur combines the best of both worlds in high speed and high density. Now, experience the best in the galaxy with Centaur's space series: Sagittarius. With a ruggedized D38999 connector and high-speed cable package coupled with an integrated ExaMAX high-bandwidth backplane system, Centaur: Sagittarius is optimized for ultra high-speed applications in the punishing environments of space.



Stephen Fernandez • 607-563-5339
· sfernandez@amphenol-aao.com



CENTAUR PCB

The Centaur, a Greek mythological creature, utilized the advantages of a human upper body and equestrian lower body to flourish. Like the mythological creature, Amphenol's Centaur interconnect utilizes the advantages of our extensive legacy of Mil-Spec connectors and the latest in high-speed contact and connector technology. The Centaur interconnect provides both a durable and high-bandwidth system perfect for military, aerospace, and other ruggedized, high-bandwidth applications. It supports data rates up to 10 Gbps in a ruggedized, lightweight aluminum MIL-DTL-38999 style shell.

FEATURES & BENEFITS

- Solder tails with lengths of .100, .150, .200, .250, .300, & .350
- Compatible with Standard Vertical Header ExaMAX
- Ruggedized light-weight aluminum MIL-DTL-38999 series III style shells
- Available in 40, 32, & 12 100 ohm differential pairs (DP) depending on shell size
 - Shell size 25 – 40 DP plus 10 single ended
 - Shell size 23 – 32 DP plus 8 single ended
 - Shell size 17 – 12 DP plus 6 single ended
- Keying: “N” (Standard) “A”, “B”, “C”, “D”, “E”
- Supports data rates up to 10 Gbps PAM4
- Fully electrically tested
- Impedance: 100Ω
- Mating Cycles: 500

MECHANICAL

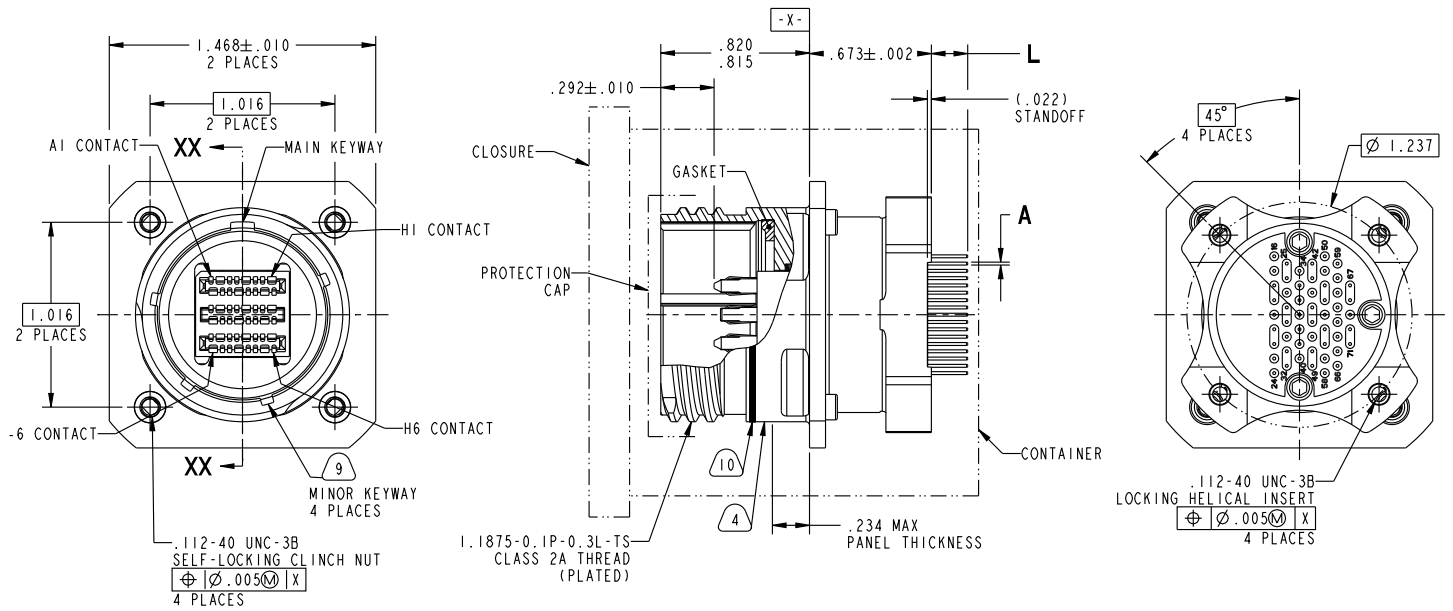
- Contact material: Gold plated beryllium copper
- Shell material: Aluminum with standard MIL-DTL-38999 plating options

ENVIRONMENTAL

- -40° C to 85° C operating
- VITA 47 Shock and Vibration

CENTAUR PCB SOLDER TAIL 71498

WALL MOUNT, TV40
12 DIFFERENTIAL PAIRS



CENTAUR PCB SOLDER TAIL: HOW TO ORDER



1.	2.	3.	4.	5.	6.	7.
Connector Type	Connector Number	Shell Size	Differential Pairs	Shell Keying Rotation	Contact Tail Stickout	(TV47 only) O-Ring Option
88-	71498	5	-12	P	1	

1. Connector Type (Aluminum Base Material)

Connector Prefix	Finish	Commercial Reference
88-	Olive Drab Cadmium	RW
91-	Electroless Nickel	RF
F2-	Black Zinc Nickel	DZ
F7-	Durmalon (Nickel PTFE)	DT
F9-	Heavy Olive Drab Cadmium	DW
FH-	Heavy Electroless Nickel	DF
FS-	AP-93 (Tri-Nickel Alloy)	DS

2. Connector Number

71498	Wall Mount TV40, solder tail standoff
71499	Jam Nut TV47, solder tail standoff
7149B	Jam Nut TV47 Pretinned, solder tail standoff

3. Shell Size

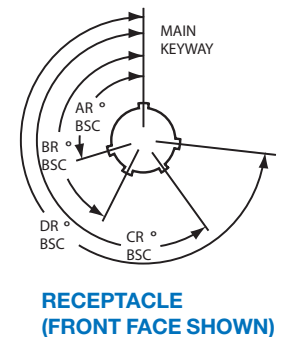
5	Shell Size 17
8	Shell Size 23
9	Shell Size 25

4. Differential Pairs

-12	Shell Size 17 only
-32	Shell Size 23 only
-40	Shell Size 25 only

5. Shell Keying rotation

Key Suffix	Key Type	AR° BSC	BR° BSC	CR° BSC	DR° BSC
P	Normal	80	142	196	293
G	A	135	170	200	310
I	B	49	169	200	244
K	C	66	140	200	257
M	D	62	145	180	280
R	E	79	153	197	272



6. Contact Tail Length

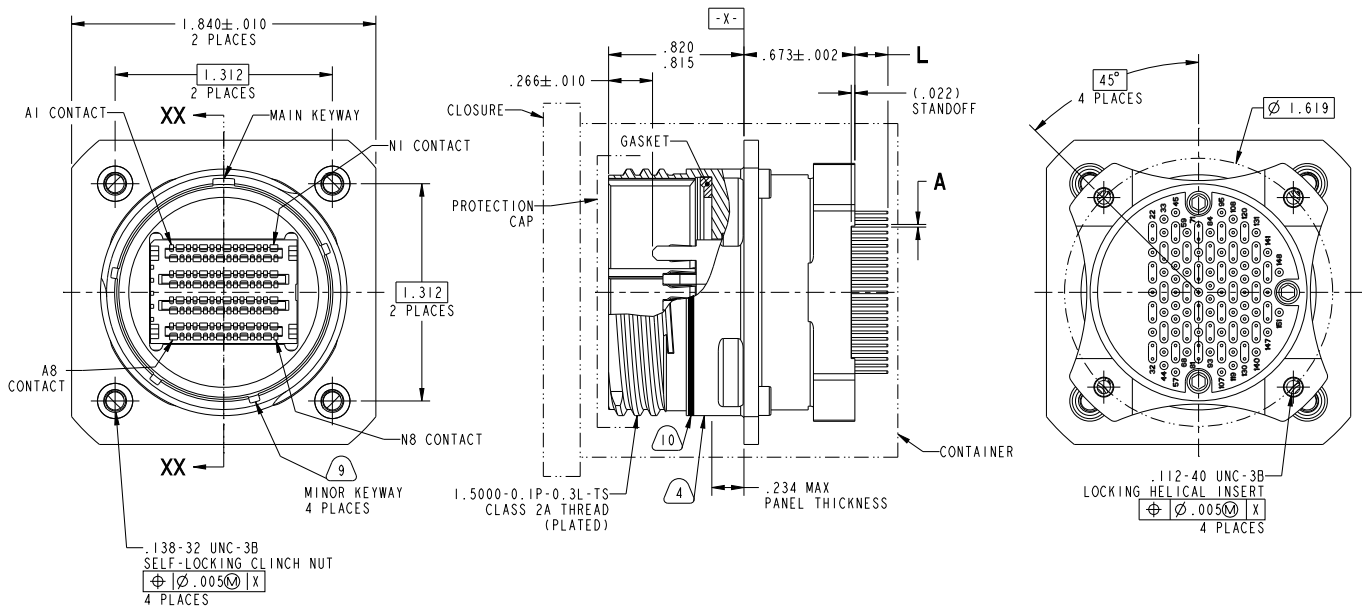
Suffix	(L) Length	(A)
1	.100± .025	
2	.200± .025	
3	.300± .025	∅.016± .001
A	.150± .025	
B	.250± .025	
C	.350± .025	

7. O-Ring Material for TV47 only

Connector Suffix	Description	O-Ring Material	Added EMI Protection
None	Fluorosilicone	Standard MIL-DTL-38999	No
2	EPDM Rubber	EPDM	No
3	Silver plated, copper filled silicone	MIL-DTL-83528 Type A (Choseal 1215)	Yes
4	Silver plated Aluminum filled fluorosilicone	MIL-DTL-83528 Type D (Choseal 1287)	Yes
5	Conductive EPDM	Choseal 6435	Yes

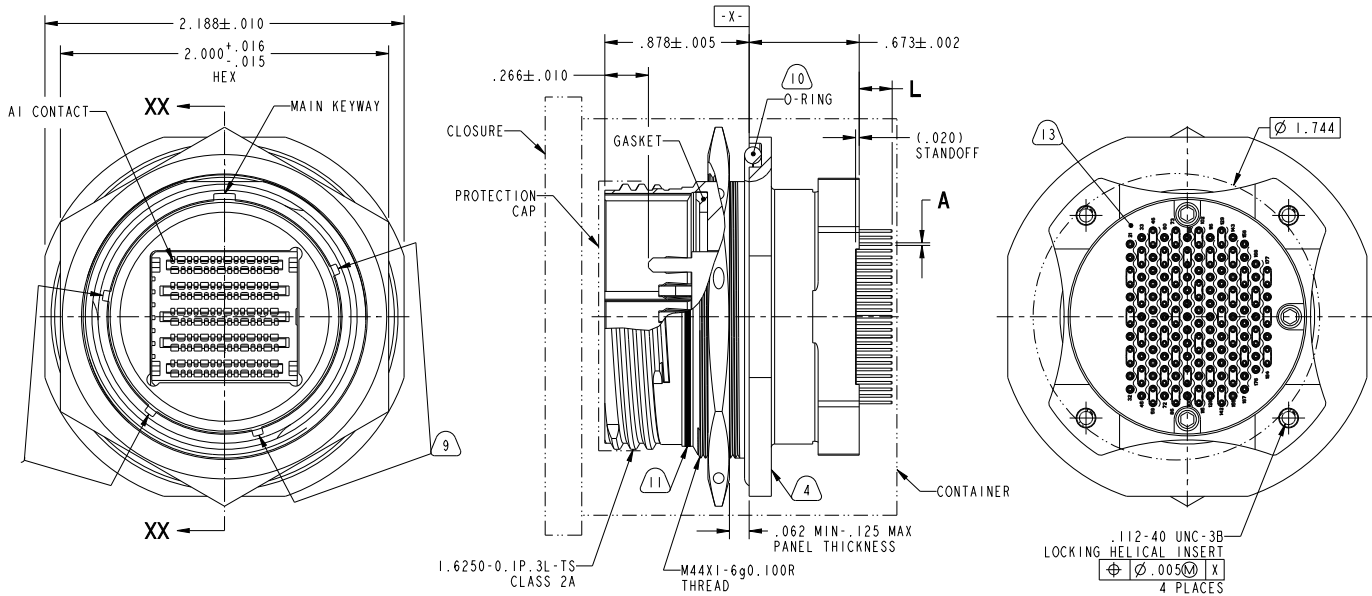
CENTAUR PCB SOLDER TAIL 71498

WALL MOUNT, TV40
32 DIFFERENTIAL PAIRS



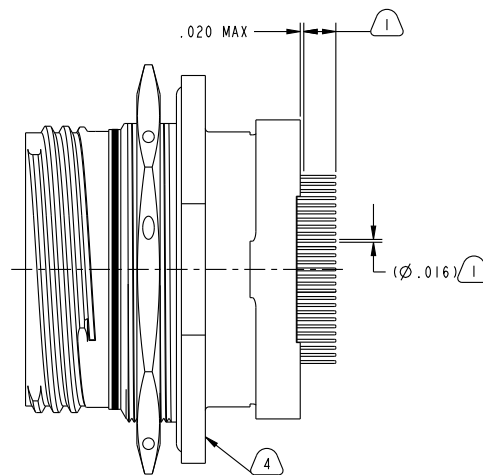
CENTAUR PCB SOLDER TAIL 71499

JAM NUT, TV47
40 DIFFERENTIAL PAIRS



CENTAUR PCB PRETINNED TAIL 7149B

JAM NUT, TV47
40 DIFFERENTIAL PAIRS



CENTAUR PCB CONFIGURATION OPTIONS

1.	2.	3.	4.
Connector Type	Service Class	Shell Size	Compliant Eye Tail Plating
7N	A1	23	T

1. Connector Type		
Insert Type		Keying
7	ExaMAX Vertical Header (Male)	N
8	ExaMAX Right Angle Header (Male)	A
		B
		C
		D
		E

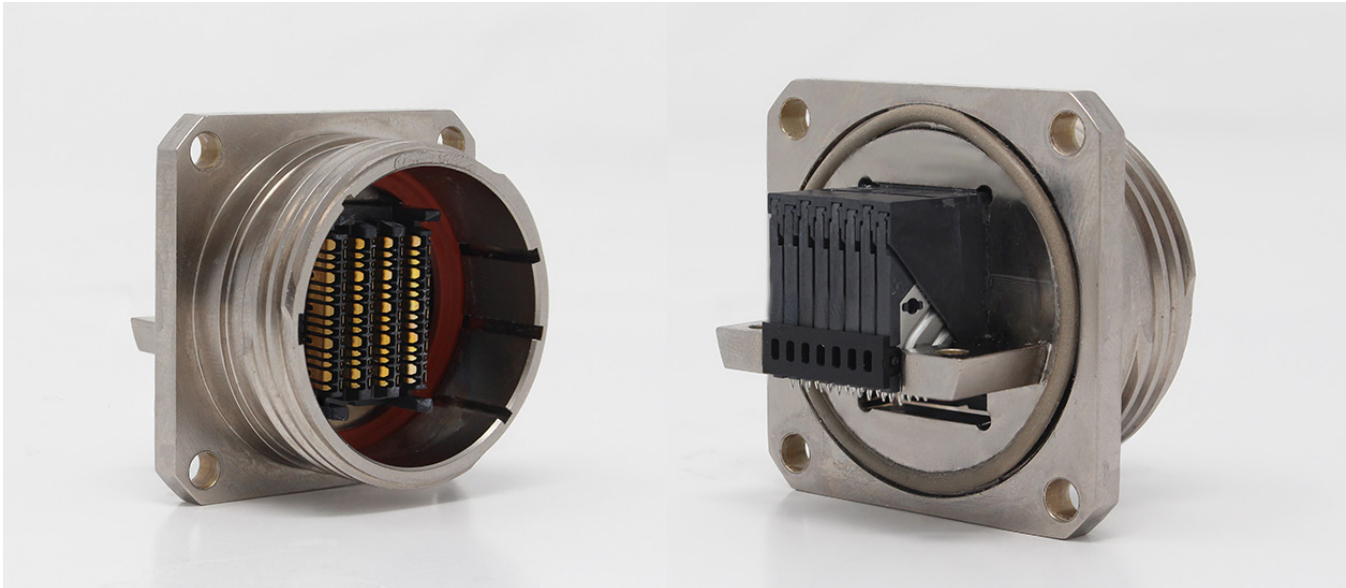
3. Shell Size / Insert Arrangement	
25	40 DP / 10 Single Ended with Samtec ExaMAX®
23	32 DP / 8 Single Ended with Samtec ExaMAX®
17	12 DP / 6 Single Ended with Samtec ExaMAX®

2. Service Class*			
A	Aluminum	1	OD Cadmium
		2	Electroless Nickel
		3	Durmalon
		4	Black Zinc

* Other options available upon request

4. Compliant Eye Tail Plating*	
T	High purity tin plating/lead-free processing

* Other options available upon request



CENTAUR PCB

Our Centaur interconnect product is now available in a compliant eye press-fit tail option. Supporting data rates up to 10 Gbps with options of 32 to 40 differential pairs – this configuration can now connect straight to your board for a rugged 38999 integrated system.

FEATURES & BENEFITS

- Compliant Eye Press Fit Tails
- Compatible with Standard Right Angle ExaMAX or Vertical Header Options
- Ruggedized light-weight aluminum MIL-DTL-38999 series III size 23 and 25
- Available in 40 or 32 100 ohm differential pairs depending on shell size
 - o Shell size 25 – 40 DP plus 10 single ended
 - o Shell size 23 – 32 DP plus 8 single ended
 - o Shell size 17 – 12 DP plus 6 single ended
- Keying: “N” (Standard) “A”, “B”, “C”, “D”, “E”
- Supports data rates up to 10 Gbps PAM4
- Fully electrically tested
- Impedance: 100Ω
- Mating Cycles: 500

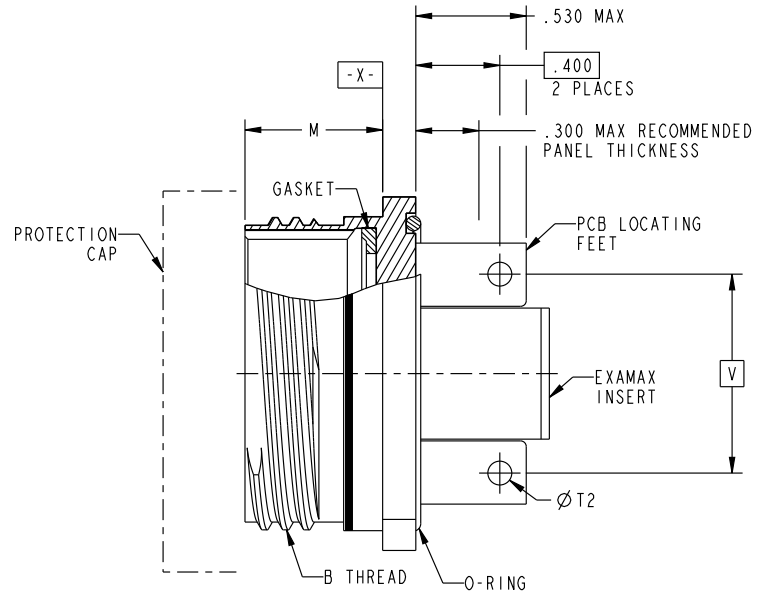
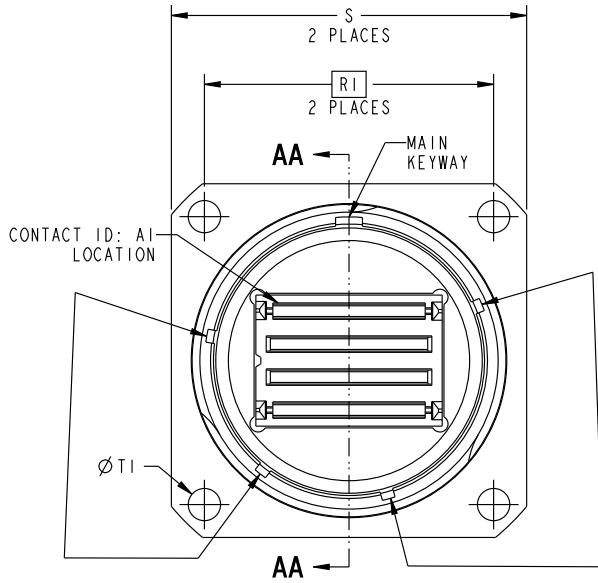
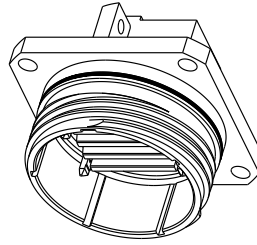
MECHANICAL

- Contact material: Copper Alloy
- Shell material: Aluminum and stainless steel with standard plating options
- Contact plating: Selective gold alloy and pure tin over 50u Ni

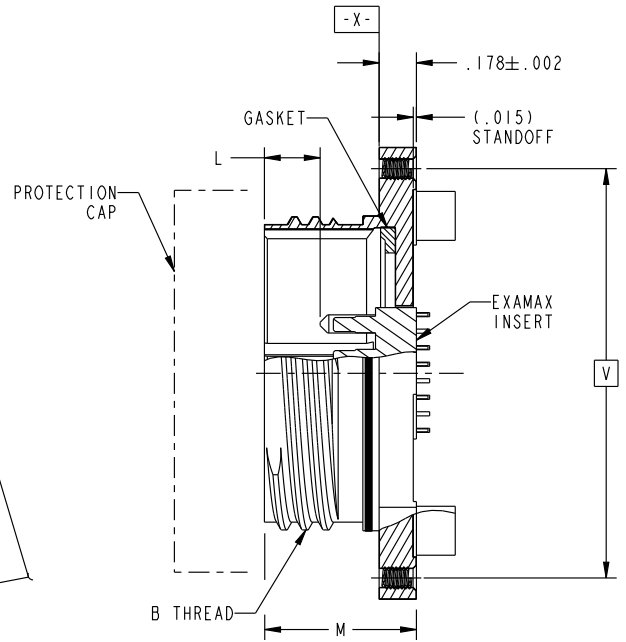
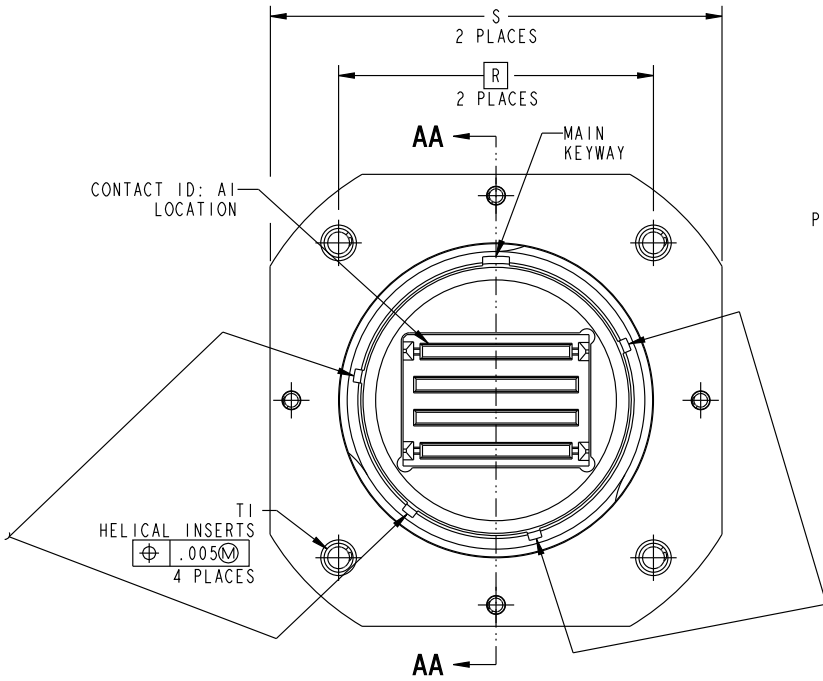
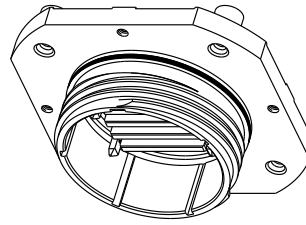
ENVIRONMENTAL

- -40° C to 85° C operating
- VITA 47 Shock and Vibration

RIGHT ANGLE HEADER DRAWING



VERTICAL PCB DRAWING



BOARD MOUNTING OPTIONS EXAMAX® BACKPLANE SYSTEM



(2.00 mm) .0787"

SPECIFICATIONS

For complete specifications and recommended PCB layouts see www.samtec.com?EBTM-VT or www.samtec.com?EBTM-RA

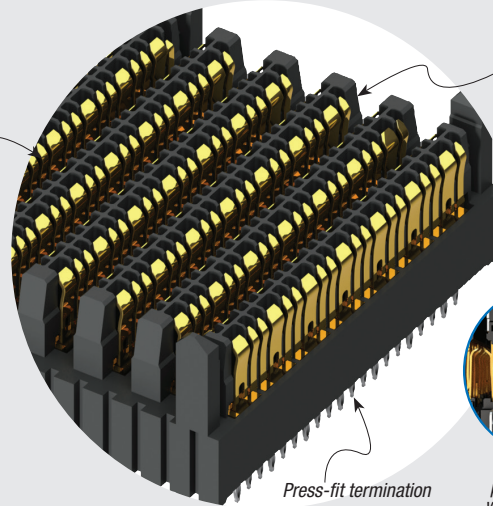
Insulator Material:
Liquid Crystal Polymer
Contact Material:
Copper Alloy
Plating:
Sn or Au over
50 μ" (1.27 μm) Ni
Operating Temp Range:
-55°C to +105°C
Current Rating:
4.2 A per pin
(1 pin powered)
Contact Wipe:
2.4 mm
RoHS Compliant: Yes

Mates with:
EBCF-VT

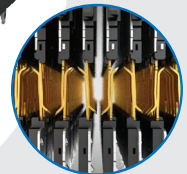
PAM 4

56
G b p s

2.00 mm
column pitch



Provides exceptionally low mating force while maintaining excellent normal force



Two reliable points of contact with 2.4 mm wipe

Press-fit termination

RECOGNITIONS

For complete scope of recognitions see www.samtec.com/quality



ALSO AVAILABLE (MOQ Required)

- Staging

TOOLING

- For press-fit extraction and insertion tool options, visit www.samtec.com/tooling

Notes: Some lengths, styles and options are non-standard, non-returnable. ExaMAX® is a registered trademark of AFCI.

1.	2.	3.	4.
CONNECTOR TYPE	NO. OF PAIRS PER COLUMN	COLUMNS	COLUMN PITCH
EBTM	-4	4 Pairs	-2.0 = (2.0 mm) .0787"
		-08	
		-10	

5.	6.	7.
PLATING	ORIENTATION	-1
-S = 30 μ" (0.76 μm) Gold on contact area, Matte Tin on tail	-VT Vertical	-1

NO. OF PAIRS PER COLUMN	D	E
-4	(22.50) .886	(15.60) .614

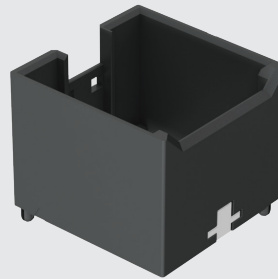
COLUMNS	A	B	C
-08	(15.90) .626	(14.00) .551	(22.35) .880
-10	(19.90) .783	(18.00) .709	(26.35) 1.037

Contact Samtec for Board Connectors and Latches/Brackets at HSBP@samtec.com

BOARD MOUNTING OPTIONS VERTICAL LATCHING SHROUD



CENTAUR

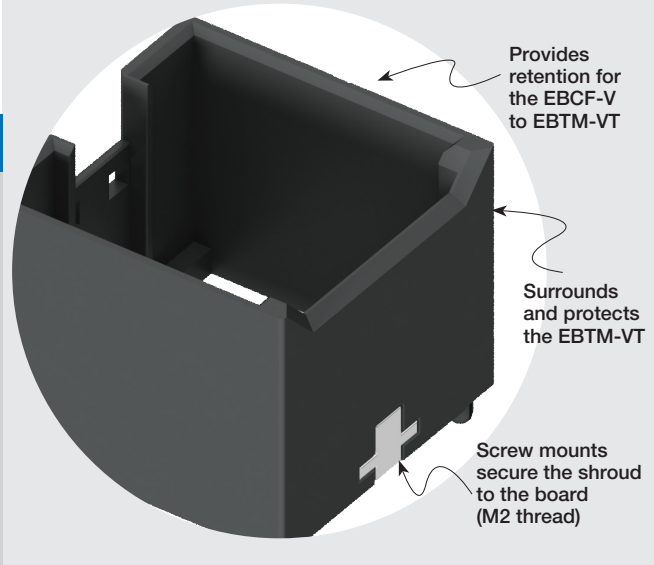
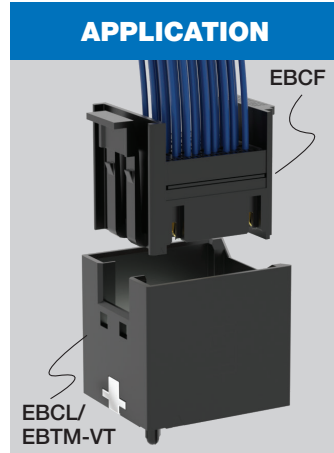


EBCL-4-10

SPECIFICATIONS

For complete specifications and recommended PCB layouts see www.samtec.com?EBCL

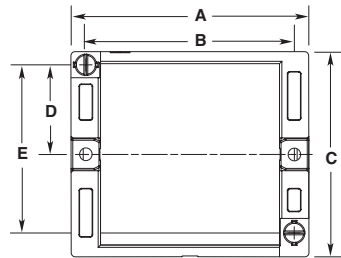
Insulator Material: Nylon
RoHS Compliant: Yes



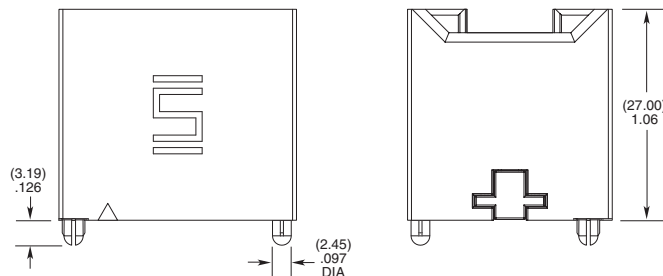
- 1.
- 2.
- 3.

CONNECTOR TYPE	NO. OF PAIRS	NO. OF COLUMNS
EBCL	-4 4 Pairs	-8 -10

NO. OF COLUMNS	A	B
-08	(26.40) 1.039	(22.66) .892
-10	(30.40) 1.197	(26.66) 1.050



NO. OF PAIRS	C	D	E
-4	(26.20) 1.031	(11.45) .451	(21.50) .846



PART # SHOWN	1. EBCL	2. -4	3. -10
--------------	---------	-------	--------

Notes:
ExaMAX® is a registered Trademark of AFCI.
Some lengths, styles and options are non-standard, non-returnable.

Contact Samtec for Board Connectors and Latches/Brackets at HSBP@samtec.com

BOARD MOUNTING OPTIONS EXAMAX® BACKPLANE SYSTEM



(2.00 mm) .0787"

SPECIFICATIONS

For complete specifications and recommended PCB layouts see www.samtec.com?EBTF-RA

Insulator Material:

Liquid Crystal Polymer

Contact Material:

Copper Alloy

Plating:

Sn or Au over

50 μ" (1.27 μm) Ni

Operating Temp Range:

-55°C to +105°C

Current Rating:

4.2 A per pin

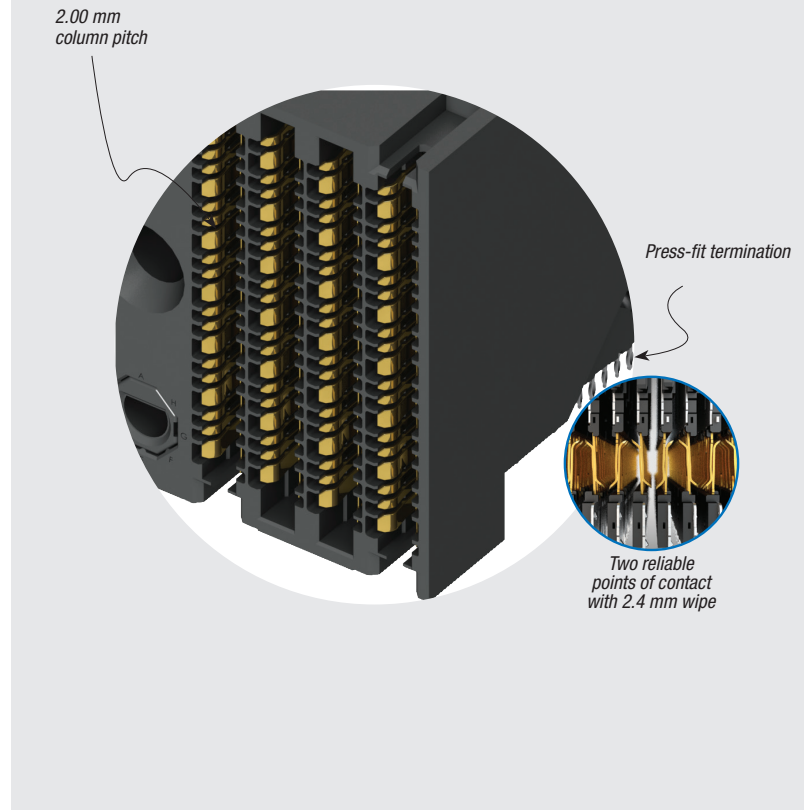
(1 pin powered)

Contact Wipe:

2.4 mm

RoHS Compliant: Yes

Mates with:
EBCM



RECOGNITIONS

For complete scope of recognitions see www.samtec.com/quality



FILE NO. E111594

ALSO AVAILABLE (MOQ Required)

- Staging

TOOLING

- For press-fit extraction and insertion tool options, visit www.samtec.com/tooling

Notes:

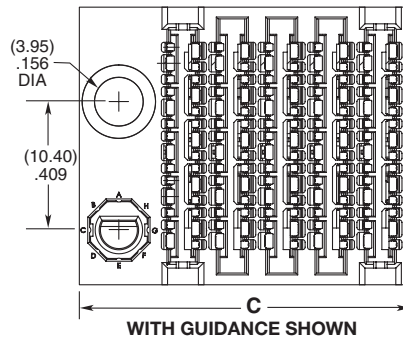
Some lengths, styles and options are non-standard, non-returnable.

ExaMAX® is a registered trademark of AFCI.

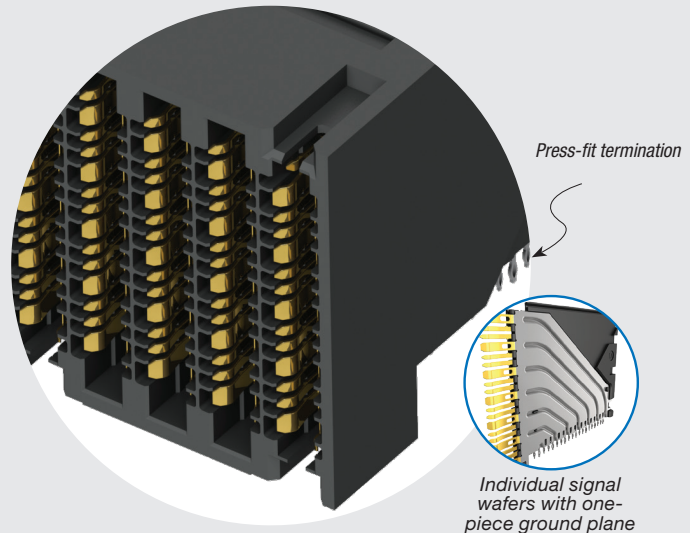
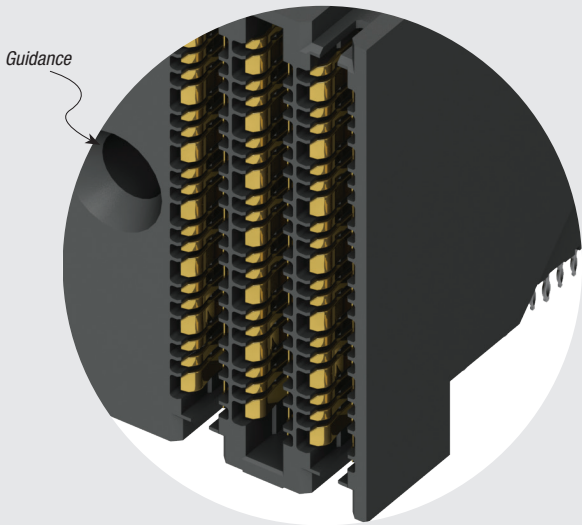
1.	2.	3.	4.
CONNECTOR TYPE	NO. OF PAIRS PER COLUMN	COLUMNS	COLUMN PITCH
EBTF	-4	4 Pairs	-2.0 = (2.0 mm) .0787"
		-08 -10	

NO. OF PAIRS PER COLUMN	D	E	F
-4	(28.40) 1.118	(17.90) .705	(15.60) .614

COLUMNS	A	C
-08	(16.90) .665	(22.85) .900
-10	(20.90) .823	(26.85) 1.057

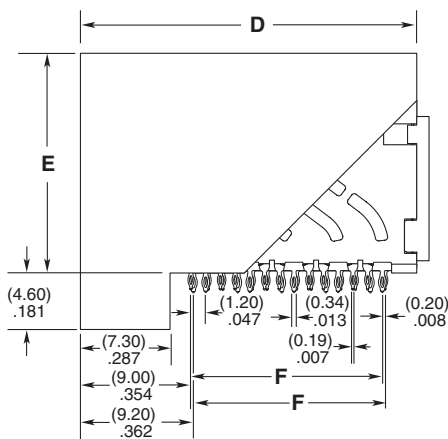


Contact Samtec for Board Connectors and Latches/Brackets at HSBP@samtec.com



5. PLATING	6. ORIENTATION		7. -1	8. GUIDANCE		9. KEYING
-S = 30 μ" (0.76 μm) Gold on contact area, Matte Tin on tail	-RA	Right Angle	-1	Leave Blank for no Guidance		(Only available with -L or -R guidance) Leave Blank for no keying -A thru -H Position of flat on key (See table for Keying)
				-L	Left Guidance	
				-R	Right Guidance	

NO. OF PAIRS PER COLUMN	B
-4	(22.50) .886

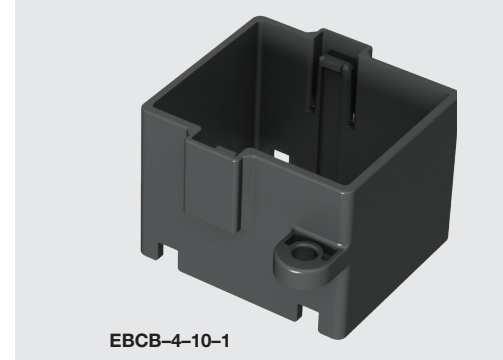


GUIDANCE	KEYING FOR ORIENTATION-RA							
-R /-L	-A	-B	-C	-D	-E	-F	-G	-H

PART # SHOWN	1. EBTF	2. -4	3. -10	4. -2.0	5. -S	6. -RA	7. -1	8. -L	9. -A
--------------	----------------	--------------	---------------	----------------	--------------	---------------	--------------	--------------	--------------

Contact Samtec for Board Connectors and Latches/Brackets at HSBP@samtec.com

BOARD MOUNTING OPTIONS PANEL RETENTION BRACKET



EBCB-4-10-1

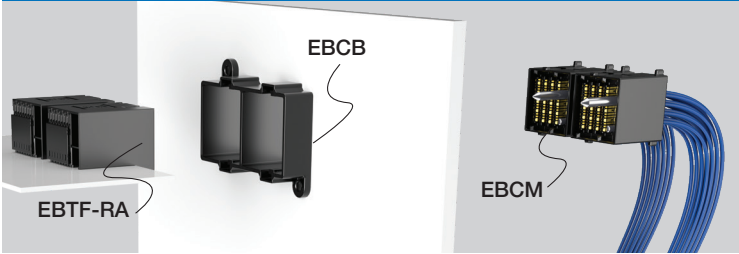
SPECIFICATIONS

For complete specifications and recommended PCB layouts see www.samtec.com?EBCB

Insulator Material:
Xyron 340Z, Black
RoHS Compliant:
Yes

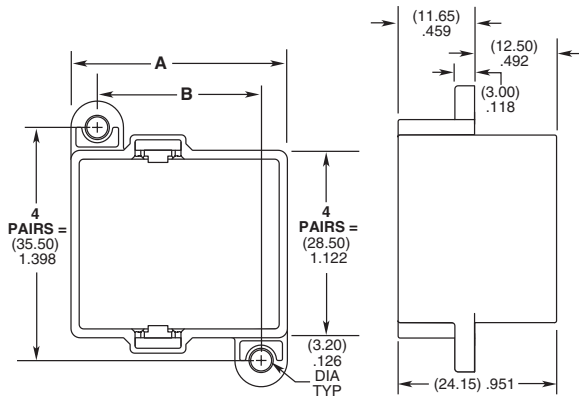
CONNECTOR TYPE	NO. OF PAIRS	NO. OF COLUMNS	NO. OF BANKS
EBCB	-4 4 Pairs	-8	-1
		-10	-2
			-4

APPLICATION

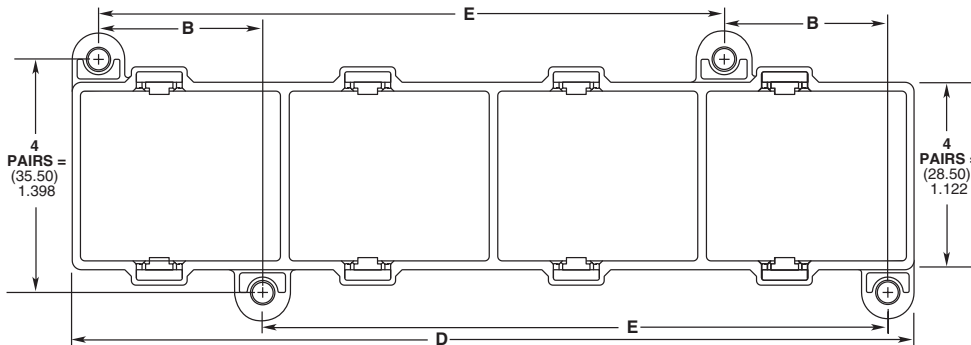


(EBCM cable assembly locks into EBCB)

NO. OF COLUMNS	A		B		C	D	E
	1 Bank	2 Bank	1 or 4 Bank	2 Bank			
-08	(28.95) 1.140	(56.65) 2.230	(20.95) .825	(48.65) 1.915	(35.95) 1.415	(112.05) 4.411	(83.10) 3.271
-10	(32.95) 1.297	(64.65) 2.545	(24.95) .982	(56.65) 2.230	(39.95) 1.573	(128.05) 5.043	(95.10) 3.744



	1.	2.	3.	4.
PART # SHOWN	EBCB	-X	-XX	-1



	1.	2.	3.	4.
PART # SHOWN	EBCB	-X	-XX	-4

Notes:
ExaMAX® is a registered trademark of AFCI.
Some lengths, styles and options are non-standard, non-returnable.

Contact Samtec for Board Connectors and Latches/Brackets at HSBP@samtec.com

COMPANY PROFILE

CENTAUR

ABOUT AMPHENOL AEROSPACE :

Amphenol Aerospace, a Division of Amphenol Corporation, is one of the largest manufacturers of interconnect products in the world for the Military, Commercial Aerospace and Industrial markets. Amphenol designs, manufactures and markets circular and rectangular, electronic, fiber optic, EMI/EMP filter, and a variety of special applications connectors and interconnect systems.

Our state-of-the-art facility is nestled at the foothills of the Catskill Mountains in Sidney, NY. The Amphenol complex houses many technologies including CNC machining, die-casting, molding, impact and extruding, plating, screw machining and process controls. Our fully equipped material evaluation lab and engineering organization utilize the latest in computer aided design software and analysis tools, allowing us to design, test, and qualify advanced interconnect systems. Amphenol's interconnect products are supplied to thousands of OEMs worldwide and are supported by our worldwide sales and engineering force, including the largest global network of electronic distributors.

The High Speed Solutions group is one of the fastest growing and most technologically advanced groups within Amphenol Aerospace. Every day, the High Speed Solutions team is developing custom connector and cable solutions for High Speed Copper, Fiber Optic, and Integrated applications. As a basic business philosophy, the team is dedicated to concentrating on those advanced and challenging market segments that demand an extraordinary level of supplier support and reaction. Our approach to implement this strategy is based on the following key principles:



Samtec, the service leader in the electronic interconnect industry, was founded in 1976 and is headquartered in New Albany, Indiana. We are privately held with more than 6,000 employees in over 40 countries and customers in approximately 125 countries. At Samtec, we believe people matter, and taking care of our customers and our employees is paramount in how we approach our business.

We are committed to globally interconnecting service and technology to take the industry further faster.

For more information about Samtec email HSBP@samtec.com



Customer-Centric:

Our #1 priority is our customers who deserve quality product on time.

Accountable:

Clear owners, clear actions, clear results.

Reliable:

What we build matters and quality is imperative.

Enthusiastic:

Challenges create rewarding opportunities. Enthusiasm is contagious and we will spread it.

Quality Assurance:

Amphenol Aerospace has been awarded both AS9100 - Revision C and ISO9001:2008 Quality Assurance Certifications.

CENTAUR

High Speed Solutions