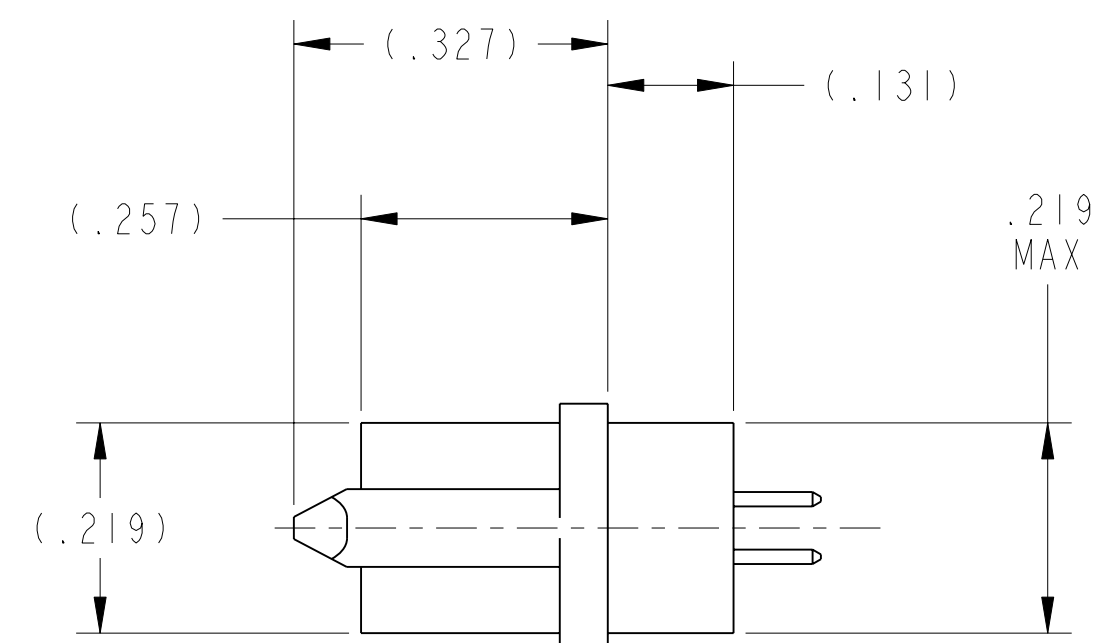
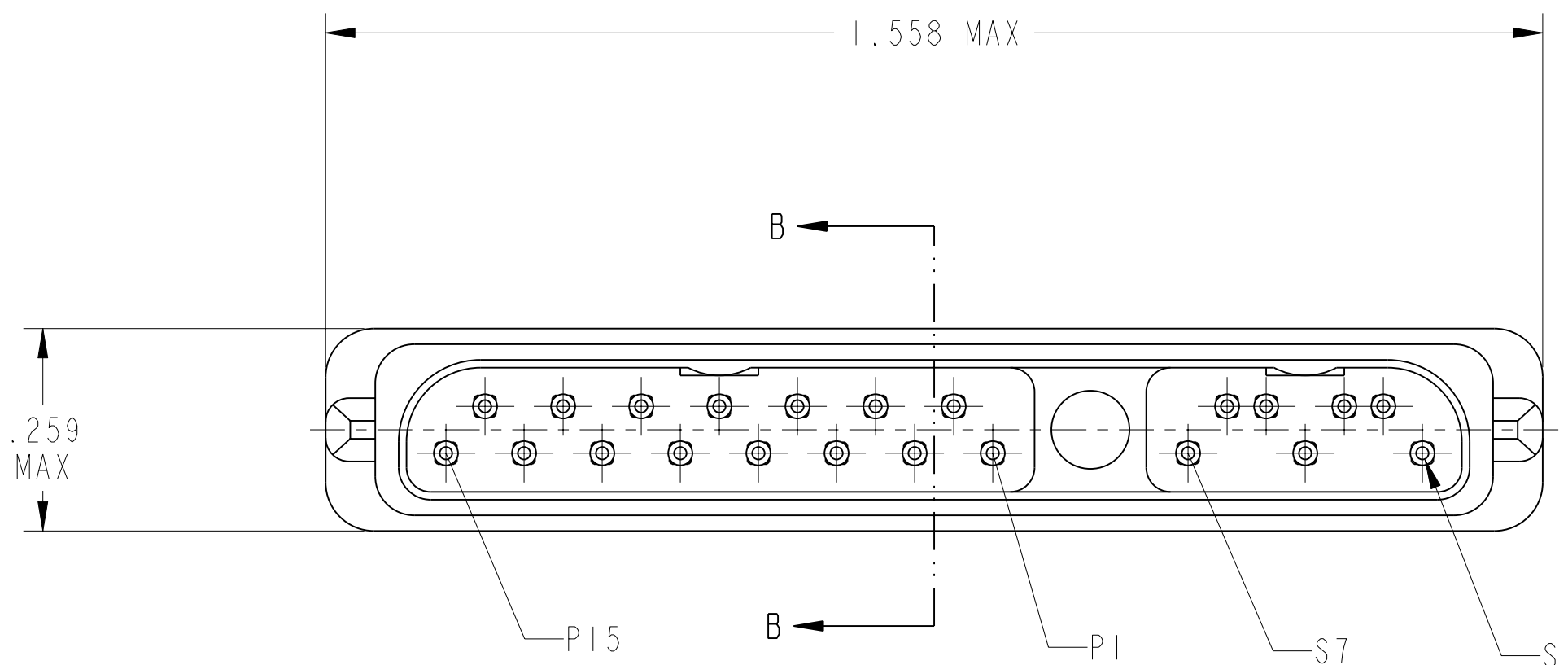
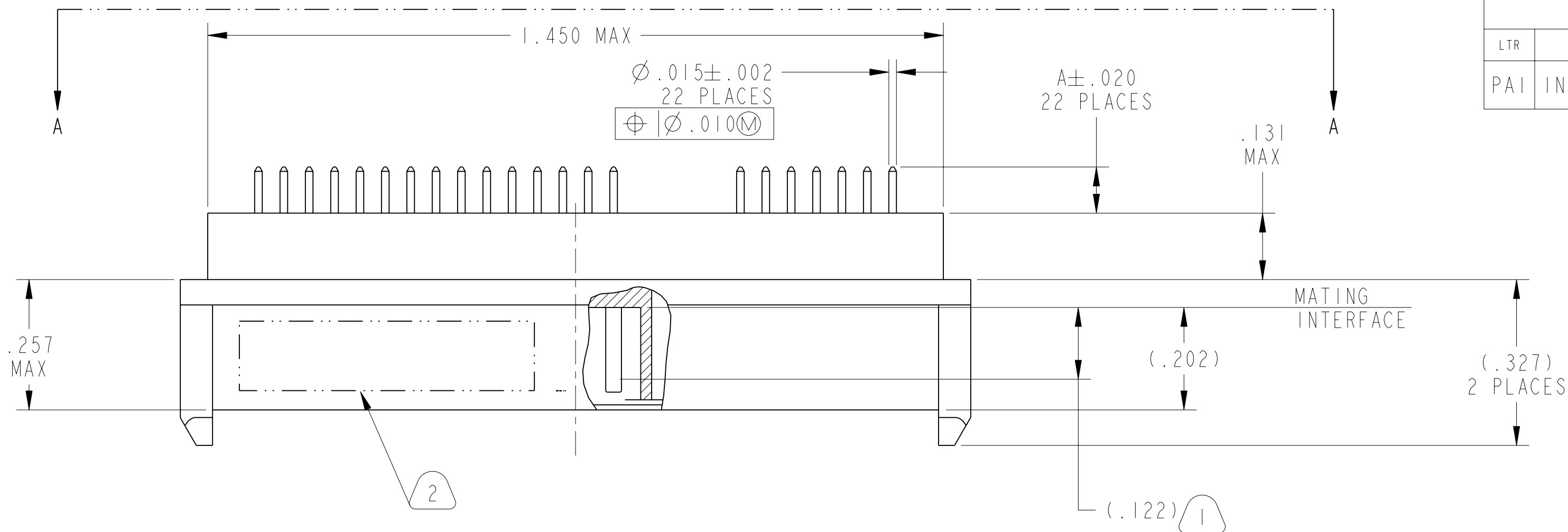


REV. PA1	SHEET 1 OF 2	DOCUMENT NO. RS2-RIOP-XXXX
REVISIONS		
LTR	DESCRIPTION	DATE
PA1	INITIAL RELEASE	9/8/15



SEE SHEET 2

NOTES:

THE USE OF THIS DOCUMENT IS UNLIMITED. HOWEVER, DOCUMENTS REFERENCED HEREON MAY CONTAIN LIMITED RIGHTS DATA.

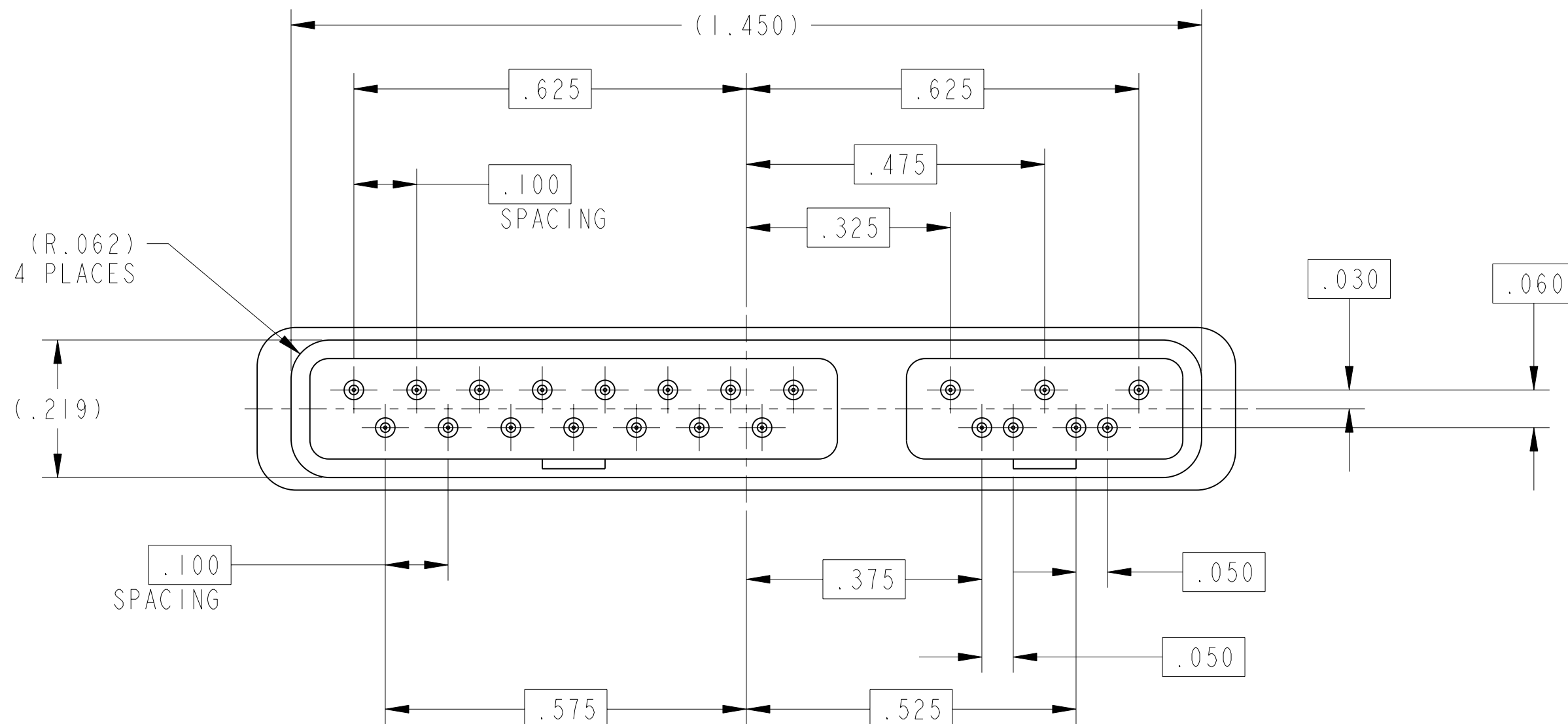
SCALE 5.000

N/A	PRO/ENGINEER INFORMATION
N/A	Pro/e Model Used: RS2-RIOP22-XXXX.ASSEM
NEXT ASSEMBLY	Drawing Name: RS2-RIOP22-XXXX

UNLESS OTHERWISE SPECIFIED		SPECIFICATIONS		POS	QTY	PART NUMBER	DESCRIPTION	NOTE
LINEAR DIMENSIONS ARE IN INCHES TOLERANCES: .XXXX = ±.0005 ANGLES= ±2° .XXX = ±.010 .XX = ±.03 .X = ±.1		MATERIAL SPEC. NA		APPROVALS		DATE	PARTS LIST AMPHENOL CORPORATION 40-60 DELAWARE AVENUE SIDNEY, N.Y. 13838	U
DIM. & TOL. PER ASME Y14.5M; DRM PER MIL-DTL-31000; OTHER Amphenol Sds. PER 9-3800		PROCESS SPEC. 9-3856-5 9-3895		PREPARED BY R. CHAPMAN	08-Sep-15	CONNECTOR, ELECTRICAL, RECEPTACLE, R-SATA, 22 POSITION (PCB TERMINATION)		
LEGENDS: =FLAG NOTE CALL OUT REFERENCE ONLY		THIRD ANGLE PROJECTION		ENGINEER IN CHARGE J. PAUL	DESIGN MANAGER R. SELFRIDGE			
				SCALE: 2.0		REF: NONE	DOCUMENT NO. RS2-RIOP-XXXX	REV. PA1
						SHEET 1 OF 2		

PART NUMBER	"A" STICKOUT
RS2-RIOP22-100()	.100
RS2-RIOP22-TBD()	TBD
RS2-RIOP22-TBD()	TBD
RS2-RIOP22-TBD()	TBD

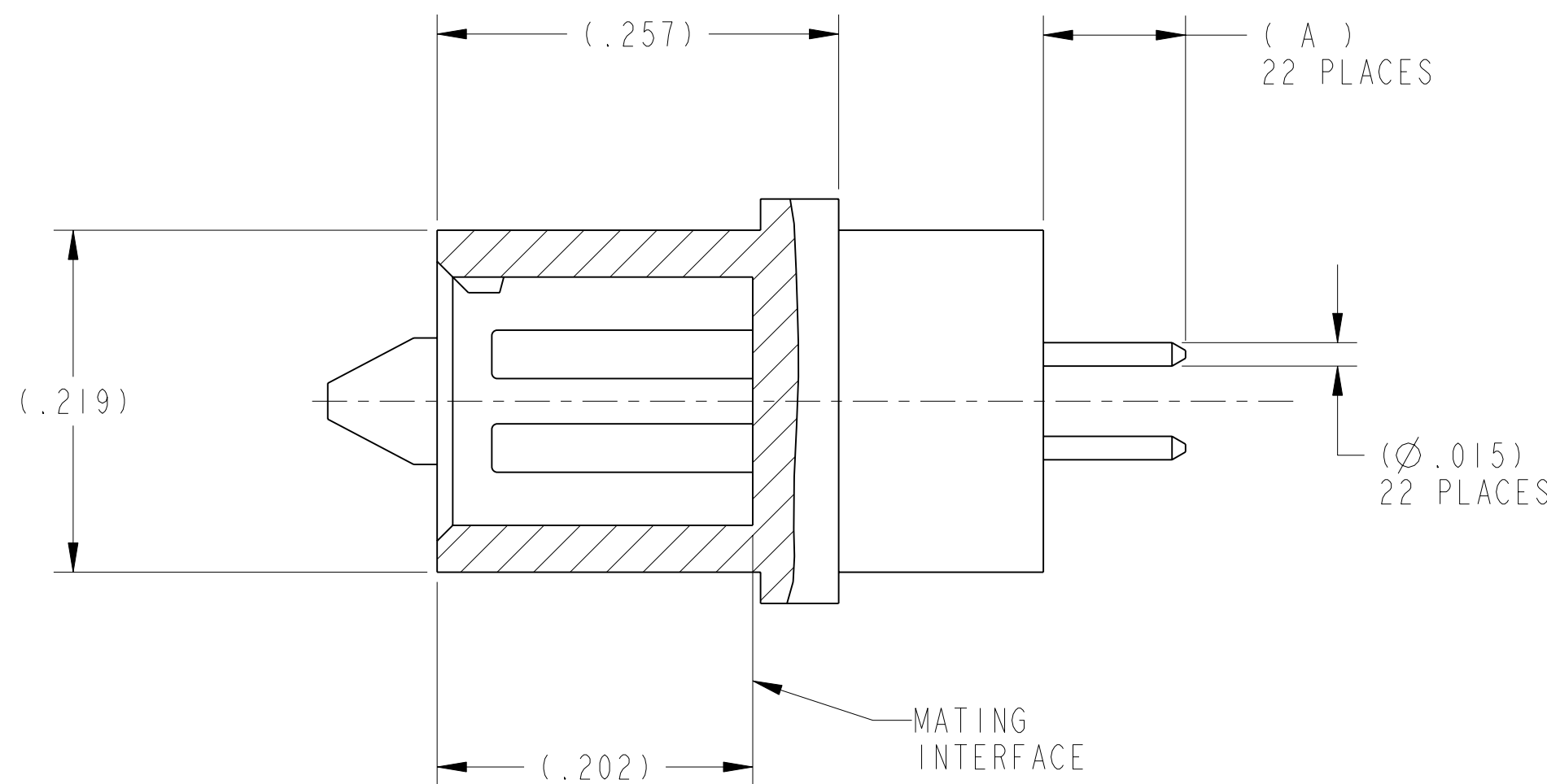
TERMINATION FINISH
(SEE SUFFIX TABLE)



VIEW AT A

TERMINATION SUFFIX TABLE

SUFFIX	DESCRIPTION
2	GOLD PLATE, .000050 MIN. THICK GOLD OVER .000050 MIN. THICK NICKEL.
6	TIN-LEAD SOLDER DIPPED OVER SUFFIX 1 .0010 MIN THICK TIN-LEAD (Sn63%)



SECTION B-B
SCALE 10.000

- FOR MATING PLUG CONNECTOR SEE DRAWING RS2-PRCE22-() AND OTHERS.
- INK STAMP IN CONTRASTING COLOR "AMPHENOL" 77820 PART NUMBER AND DATE CODE ON INDICATED SURFACE (MAY BE ON BOTH SIDES) PER 9-3856-5. DATE CODE PER 9-3895. CHARACTERS TO BE .062±.020 HIGH. ADDITIONAL INFORMATION MAY BE REQUESTED ON PURCHASE ORDER.
EXAMPLE: AMPHENOL 77820 RS2-RIOP22-0001 1515
- INDICATED DIMENSION IS TO POINT OF ELECTRICAL ENGAGEMENT.

THE USE OF THIS DOCUMENT IS UNLIMITED.
HOWEVER, DOCUMENTS REFERENCED HEREON
MAY CONTAIN LIMITED RIGHTS DATA.

SIZE C	CAGE CODE 77820	DOCUMENT NO. RS2-RIOP-XXXX	REV. PA1
SCALE: 2.0	REF: NONE	SHEET 2 OF 2	

DOCUMENT NO. RS2-RIOP-XXXX

SHEET 2 OF 2

REV. PA1

C

B

A

FORMAT: C-U.L.E. REV. B

REV. PA1

SHEET 2 OF 2

DOCUMENT NO. RS2-RIOP-XXXX

A